

50CC SKY LINK

(A306S)



50cc gasoline engine

Requires : 6-channel radio w/ 9 high torque servos

Specifications

Wing Span	108 in / 2745 mm
Wing Area	1575 sq in / 101.6 sq dm
Flying Weight	21 lb / 9.5 kg
Fuselage Length	84.5 in / 2145 mm

Specifications are subject to change without notice.

Warning! This model is not a toy.

It is designed for maximum performance. Please seek advice if one is not familiar with this kind of engine powered precision model. Operating this model without prior preparation may cause injuries. Remember, safety is the most important thing. Always keep this instruction manual at hand for quick reference.



TWM
The World Models
Manufacturing Co., LTD.
www.theworldmodels.com

FACTORY PRE-FABRICATED
ALMOST-READY-TO-FLY (ARF) SERIES
MADE IN CHINA

INDEX

BEFORE YOU BEGIN	P.1
PARTS LIST	P.2
ASSEMBLY	P.3-P.12
SAFETY PRECAUTIONS	P.13

BEFORE YOU BEGIN

- 1 Read through the manual before you begin, so you will have an overall idea of what to do.
- 2 Check all parts. If you find any defective or missing parts contact your local dealer. Please DRY FIT and check for defects for all parts that will require CA or Epoxy for final assembly. Any parts you find to be defective after the gluing process may be difficult to remove for warranty replacement. The manufacturer will replace any defective parts, but will not extend to the parts that are good before gluing to defective parts during assembly. Warranty will not cover any parts modified by customer.
- 3 Symbols used throughout this instruction manual comprise of the following :-



Apply epoxy glue.



Apply instant glue
(C.A.glue, super glue.)



Apply thread locker



Must be purchased separately !



Assemble left and right
sides the same way.



Ensure smooth non-binding
movement while assembling.



Peel off shaded portion
covering film.



Cut off shaded portion.



Drill holes with the specified
diameter (here: 3mm).



Pierce the shaded portion
covering film.

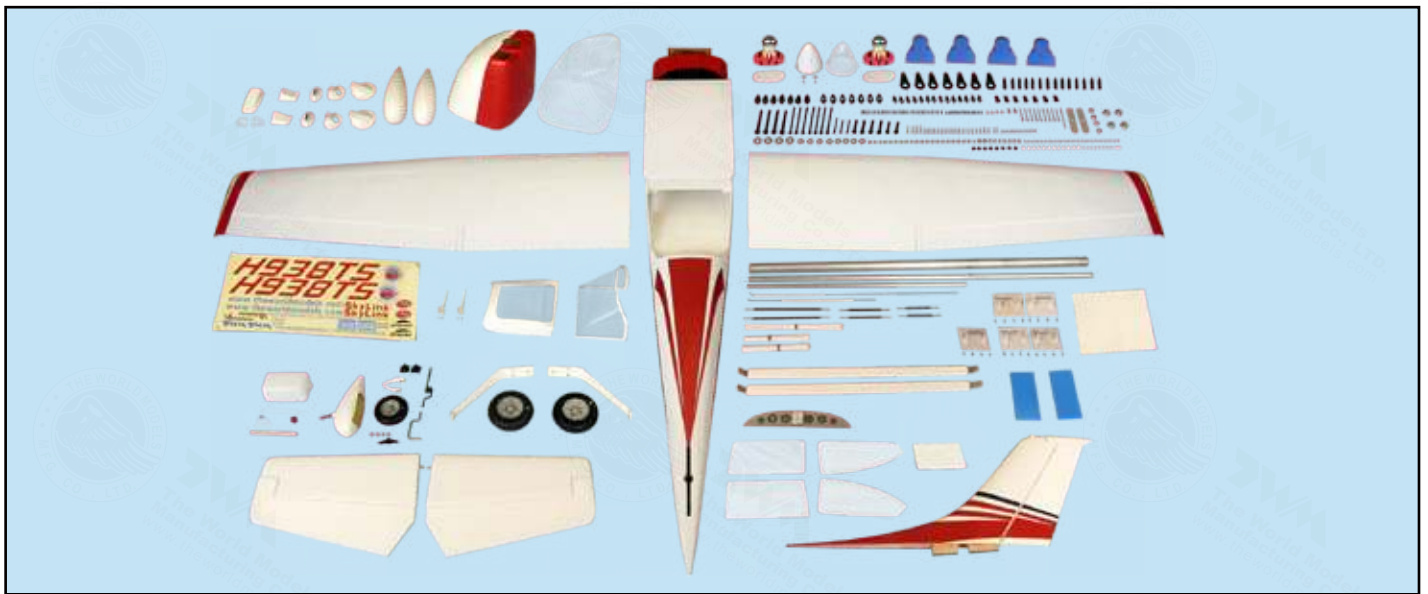


Pay close attention here!



Warning!

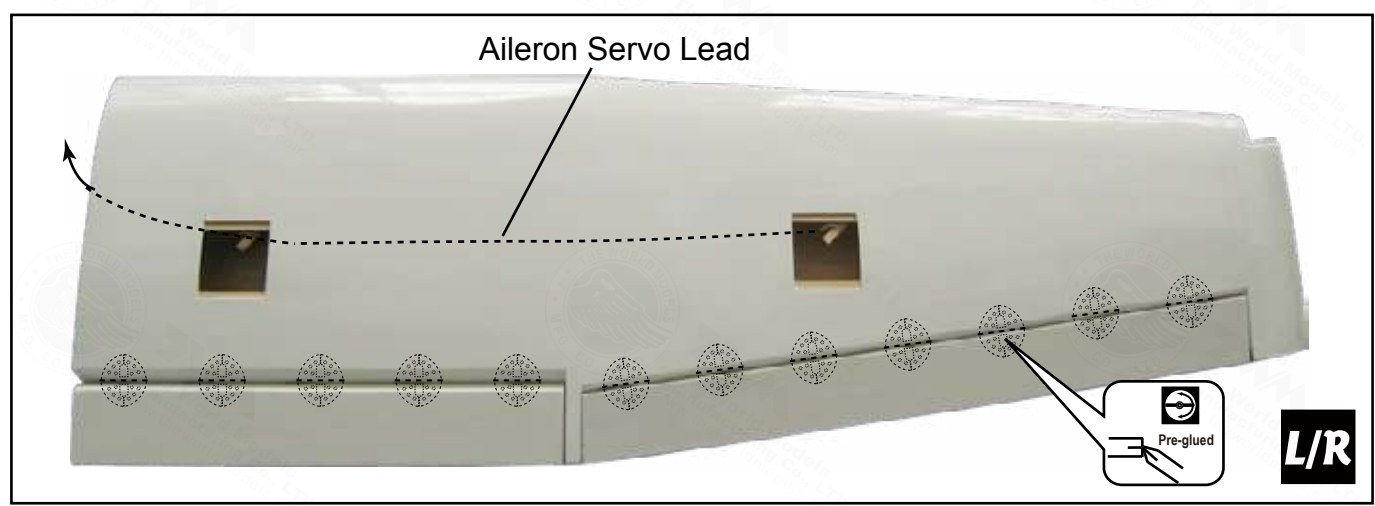
Do not overlook this symbol !



Parts List

1. MAIN WING -- 1 pair
 2. SOCKET HEAD SCREW M4x60mm -- 4 pcs
SCREW PWA2x8mm -- 24 pcs
M4 NYLON INSERT LOCK NUT -- 4 pcs
PUSHROD M3x95mm w/ Threads(For Aileron) -- 2 pcs
PUSHROD M3x86mm w/ Threads(For Flap) -- 2 pcs
HEAVY DUTY CLEVIS PL4112200 -- 8 sets
HEAVY DUTY HORN BRACKET PL4112400 -- 4 sets
HEAVY DUTY SERVO HORN PL4120300 -- 4 sets
SWIVEL CLEVIS HORN FAIRING PL4610010 -- 4 sets
SERVO MOUNTING PANEL PL5310010(For Aileron) -- 1 pair
SERVO MOUNTING PANEL PL5310010(For Flap) -- 2 pcs
LAMP COVER 0.5mm PVC -- 1 pair
 3. STABILIZER & ELEVATOR -- 1 set
FUSELAGE -- 1 pc.
SCREW PA3x12mm -- 2 pcs
WASHER d3xD7mm -- 2 pcs
STABILIZER TUBE Ø9.6x521mm -- 1 pc.
 4. SOCKET HEAD SCREW M4x55mm -- 2 pcs
M4 NYLON INSERT LOCK NUT -- 2 pcs
PUSHROD M3x185mm w/ Threads (For Elevator) -- 2 sets
HEAVY DUTY CLEVIS PL4112200 -- 4 sets
HEAVY DUTY SERVO HORN PL4120300 -- 2 sets
SWIVEL CLEVIS HORN FAIRING PL4610010 -- 2 sets
HEAVY DUTY HORN BRACKET PL4112400 -- 2 sets
 5. VERTICAL FIN & RUDDER -- 1 set
VERTICAL FIN'S WING 6x65x85mm -- 1 pc.
 6. SOCKET HEAD SCREW M4x60mm -- 1 pc.
M4 NYLON INSERT LOCK NUT -- 1 pc.
SWIVEL CLEVIS HORN FAIRING PL4610020 -- 1 set
HEAVY DUTY CLEVIS PL4112200 -- 2 sets
HEAVY DUTY SERVO HORN PL4120300 -- 1 set
HEAVY DUTY HORN BRACKET PL4112400 -- 1 set
SERVO MOUNTING PANEL PL5310010(For Rudder) -- 1 PC.
PUSHROD M3x45mm w/ Threads(For Rudder) -- 1 pc.
SCREW PWA2x8mm -- 4 pcs
 7. FRONT LANDING GEAR -- 1 set
COLLAR Ø5.6mm w/ set screw -- 4 sets
WHEEL PANTS -- 1 pc.
LARGE SCALE TREADED WHEEL Ø100mm -- 1 pc.
STEERING ARM PL4112506 w/ set screw -- 1 set
FRONT GEAR ABSORBER ACCESSORY -- 1 set
PUSHROD Ø1.8x285mm (For Nose Wheel Steering) -- 1 pc.
PLASTIC TUBE d2.5xD4x160mm (For Nose Wheel Steering) -- 1 pc.
SCREW PA3x25mm -- 4 pcs
SCREW PA3x30mm -- 4 pcs
NOSE GEAR BLOCK PL4116042 -- 2 pcs
 8. MAIN LANDING GEAR -- 1 pair
MAIN LANDING GEAR COVER -- 1 pair
SOCKET HEAD SCREW M5x25mm -- 6 pcs
SOCKET HEAD SCREW M5x65mm -- 2 pcs
LARGE SCALE TREADED WHEELS Ø118mm -- 1 pair
SOCKET HEAD SCREW M3x10mm -- 4 pcs
WASHER d5xD12mm -- 10 pcs
COLLAR Ø5.1mm w/ set screw -- 4 sets
M5 NUT -- 2 pcs
WHEEL PANTS -- 1 pair
PLATE 26x64x1mm -- 2 pcs
SCREW PWA3x8mm -- 4 pcs
 9. SOCKET HEAD SCREW M5x50mm -- 4 pcs
PUSHROD Ø1.8x480mm (For Throttle) -- 1 pc.
PLASTIC TUBE d2xD3x160mm (For Throttle) -- 1 pc.
WASHER d5xD12mm -- 4 pcs
M5 BLIND NUT -- 4 pcs
 10. FUEL TANK 800cc PL1111810G -- 1 set
CABLE TIE (For Fuel Tank) 1.5x8x500mm -- 1 pc.
DOUBLE-SIDED TAPE 40x160mm -- 1 pc.
INSTRUMENT PANEL -- 1 pc.
 11. LINKAGE CONNECTOR Ø2.1mm -- 2 sets
 12. SPONGE 10x80x200mm (For Radio Equipment) -- 2 pcs
 13. WIND SHIELD & SIDE WINDOWS -- 1 set
 14. PILOT PC001102A -- 2 sets
SCREW PM2x12mm -- 1 pc.
M2 NYLON INSERT LOCK NUT -- 1 pc.
MOUNTING PLATE PL4114015 -- 1 pc.
SEAT -- 4 pcs
BALSA 245x239x3mm (For Pilot Stand) -- 1 pc.
 15. COWLING -- 1 set
TRANSPARENT 3D TEMPLATE -- 1 pc.
QUICK RELEASE NYLON RIVET PL1208042 -- 10 pcs
SCREW KA2.3x8mm -- 10 pcs
SCREW PA3x12mm -- 8 pcs
GROMMET d2.5xD8.5mm PL1285035 -- 8 pcs
WASHER d3xD7mm -- 8 pcs
SPINNER Ø82mm -- 1 set
SCREW PWA2.3x12mm -- 4 pcs
AIR SCOOP -- 1 set
 16. WING TUBE Ø25.4x917mm -- 1 pc.
WING TUBE Ø14.5x907mm -- 1 pc.
SELF-TIGHTENING LATCHING PIN PL9120010 -- 2 pcs
SELF-TIGHTENING LATCHING PIN PL9120020 -- 2 pcs
WIRE Ø0.8mm -- 2 pair
SET SCREW M3x8mm -- 4 pcs
 17. MAIN WING STRUT -- 1 pair
SCREW PM3x16mm -- 4 pcs
SCREW PM2x14mm -- 8 pcs
M2 NYLON INSERT LOCK NUT -- 8 pcs
WASHER d3xD7mm -- 12 pcs
MAIN WING STRUT COVER -- 1 set
 18. ANTENNA -- 1 pair
ORNAMENT -- 1 set
SCREW PA2x12mm -- 4 pcs
 19. DECALS: A306DEC -- 1 set
- COVERING:--
TOUGHLON STL100 WHITE
LIGHTEX SGX 201 BLACK
LIGHTEX SGX 311 FERRARI RED
LIGHTEX SGX 350 CORSAIR BLUE
LIGHTEX SGX 100 WHITE

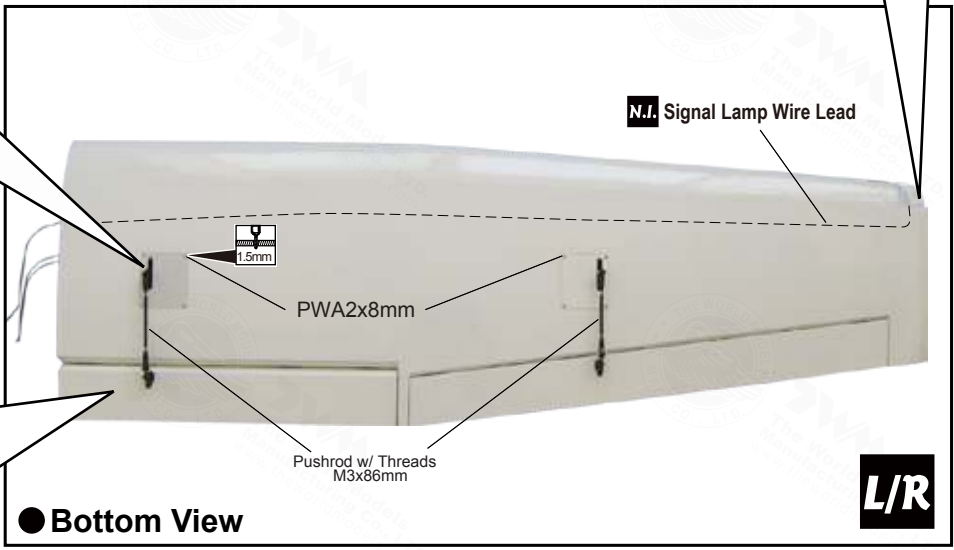
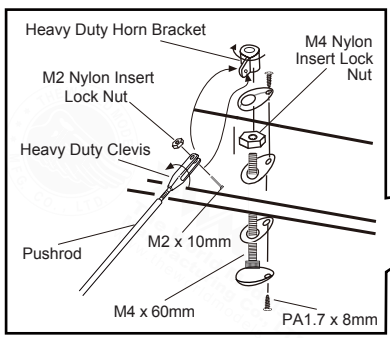
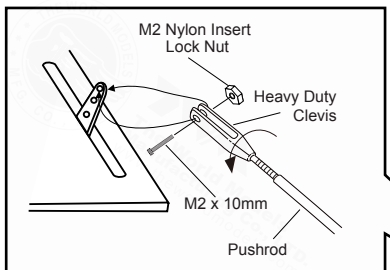
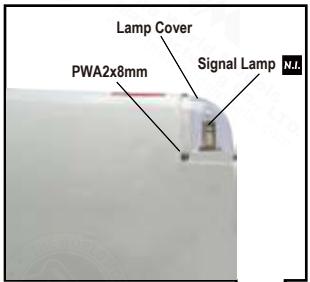
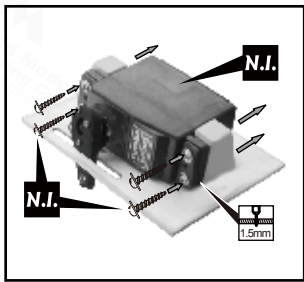
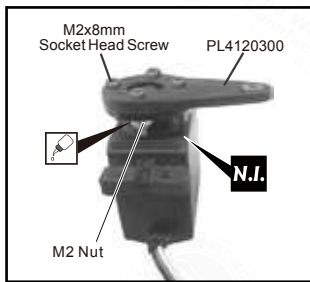
1 Main Wing



● Bottom View

2 Aileron & Flap Servos

- M4x60mm Socket Head Screw — 4
- PWA2x8mm Screw — 24
- M4 Nylon Insert Lock Nut — 4



● Bottom View



● Bottom View

● Completed

3 Stabilizer & Elevator

PA3x12mm Screw

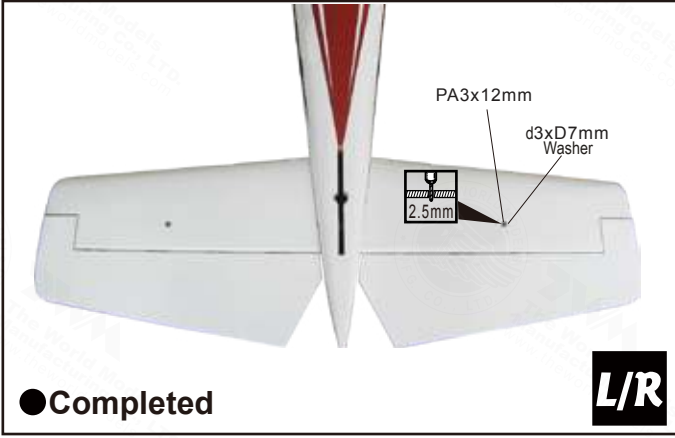
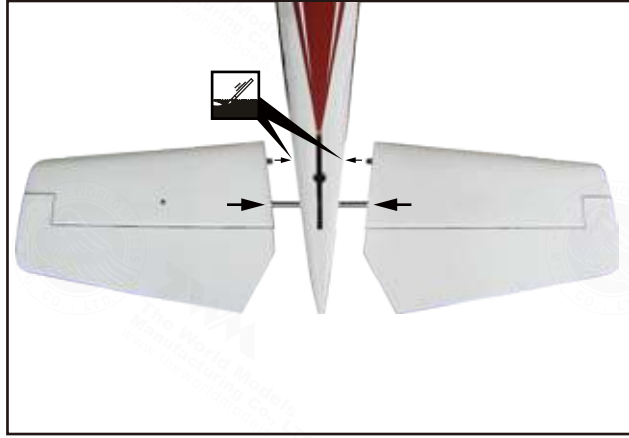
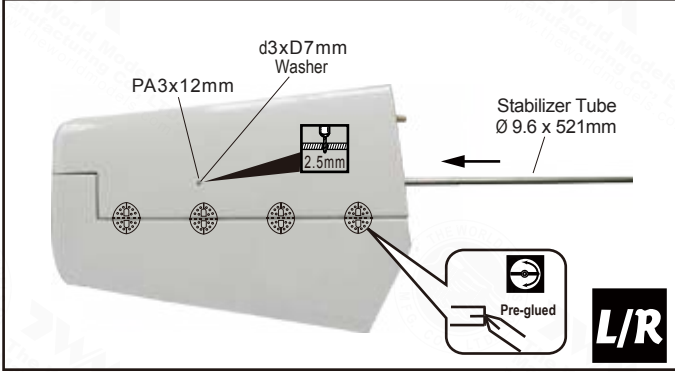


2

d3xD7mm Washer



2



●Completed

4 Elevator Pushrod

M4x55mm Socket Head Screw

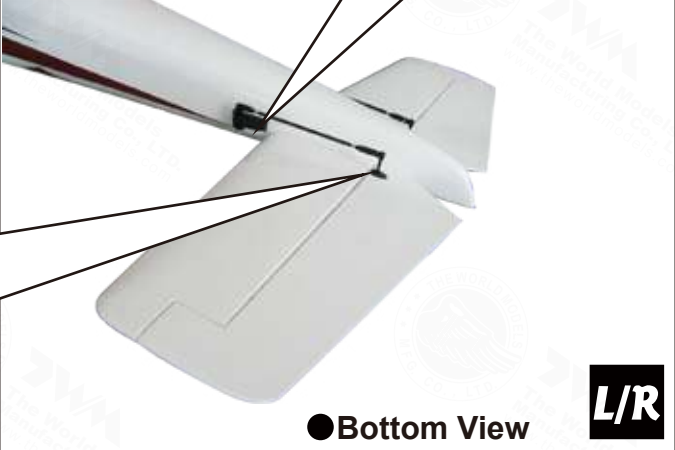
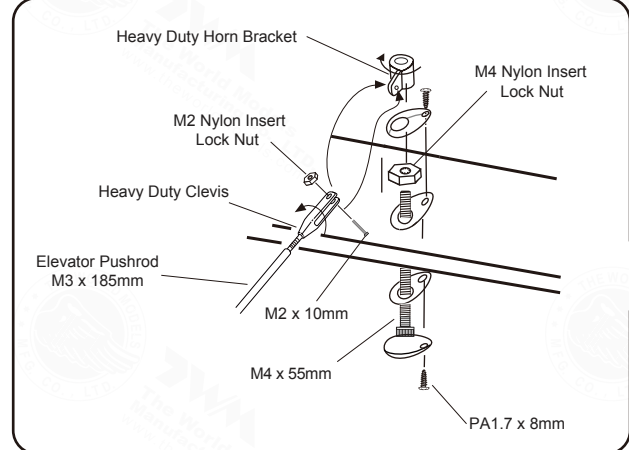
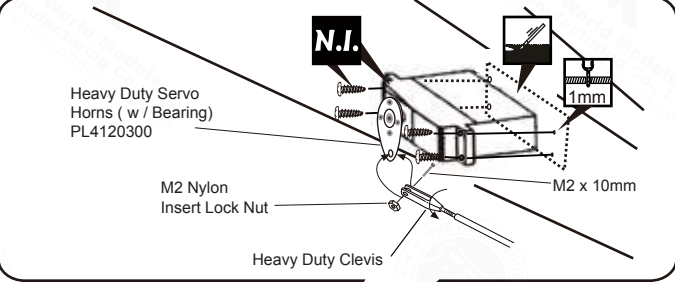


2

M4 Nylon Insert Lock Nut

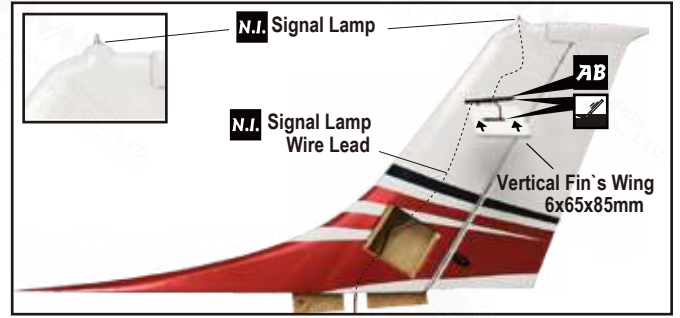


2



●Bottom View

5 Vertical Fin & Rudder



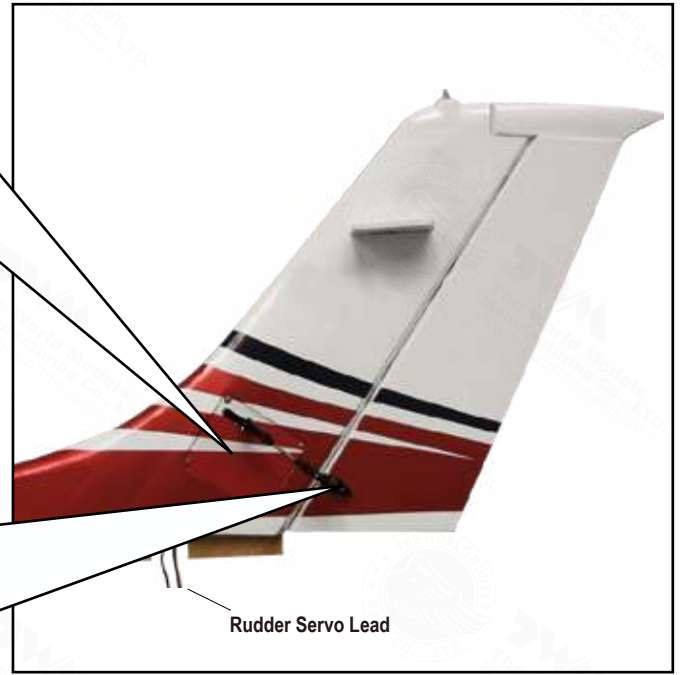
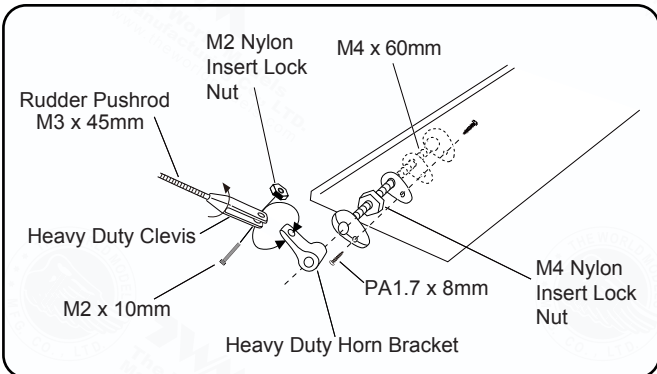
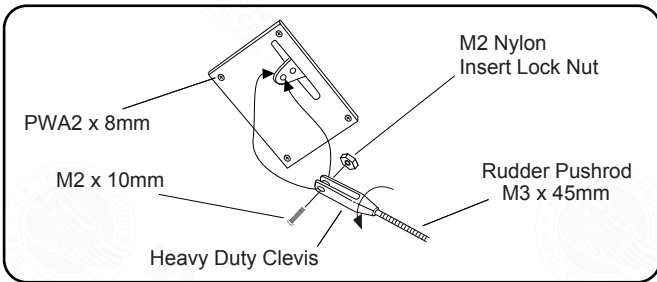
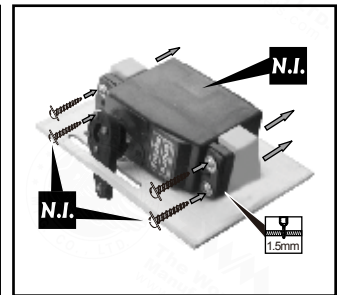
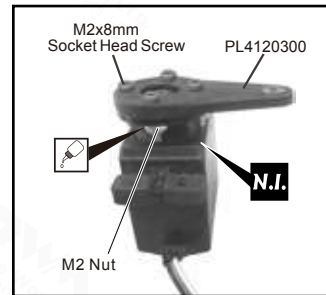
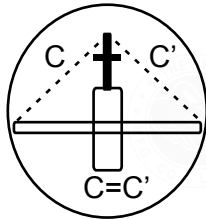
6 Rudder Pushrod

PWA2x8 mm Screw 4

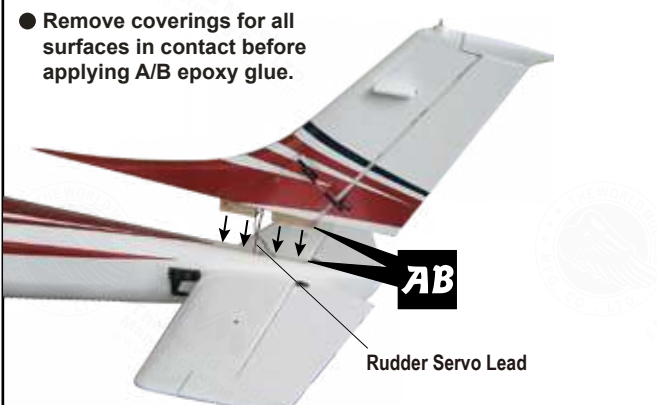
M4x60mm Socket Head Screw 1

M4 Nylon Insert Lock Nut 1

M2 Nylon Insert Lock Nut 1

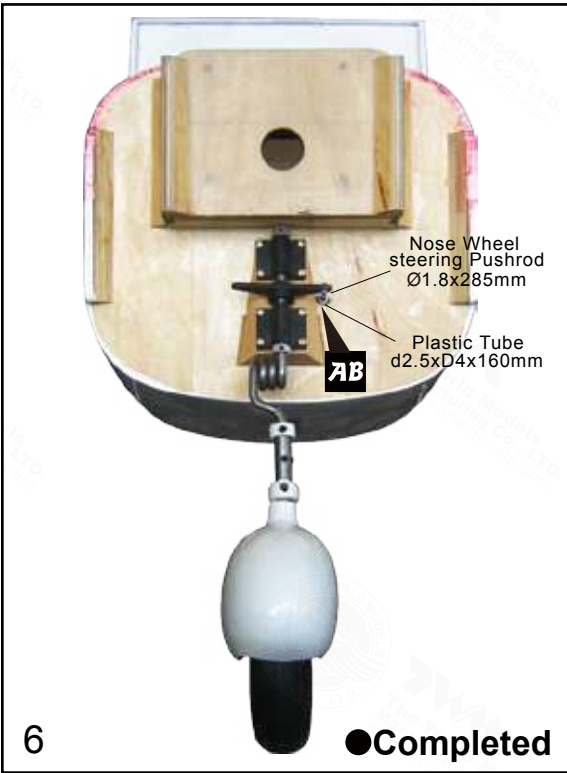
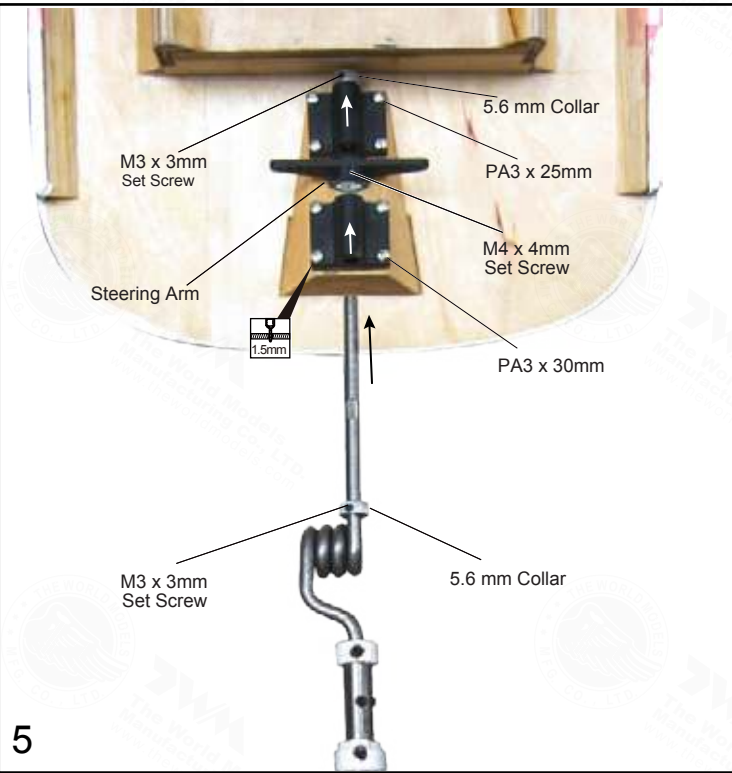
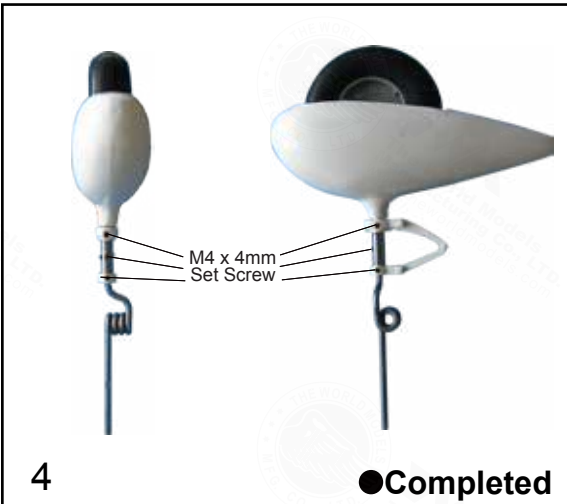
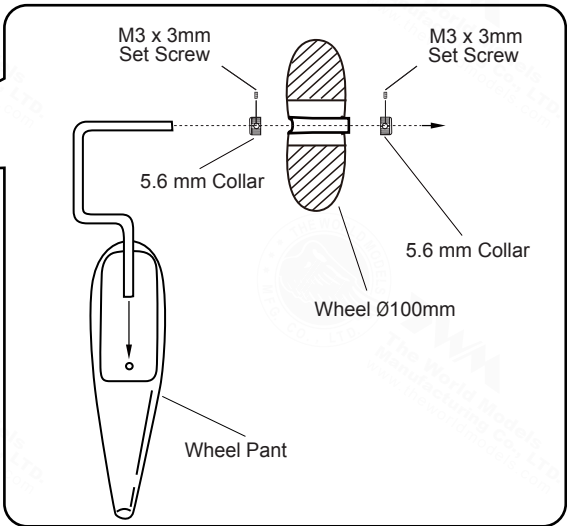


- Remove coverings for all surfaces in contact before applying A/B epoxy glue.



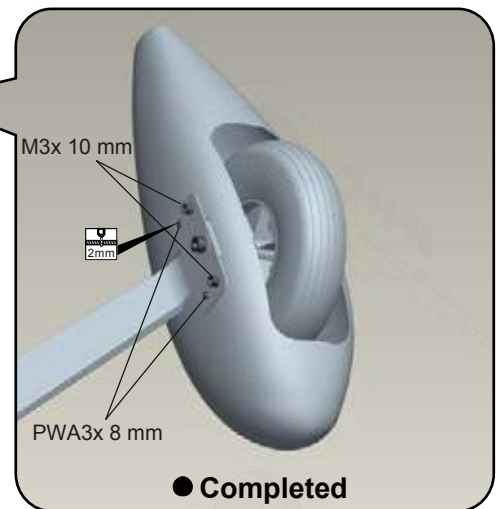
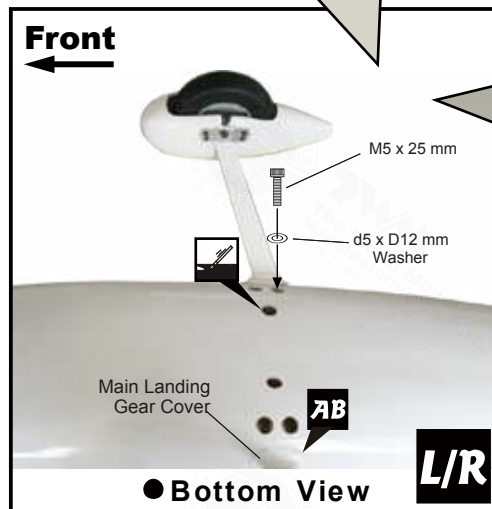
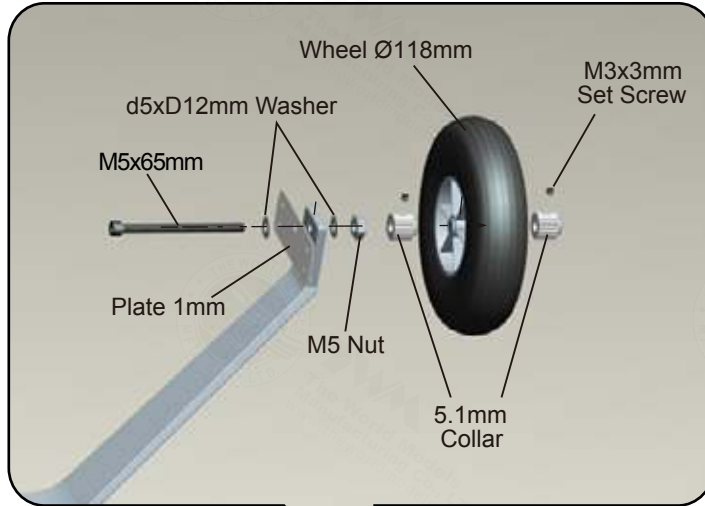
7 Front Landing Gear

- 5.6 mm Collar 4
- M4x4mm Set Screw 9
- PA3x25mm Screw 4
- PA3x30mm Screw 4



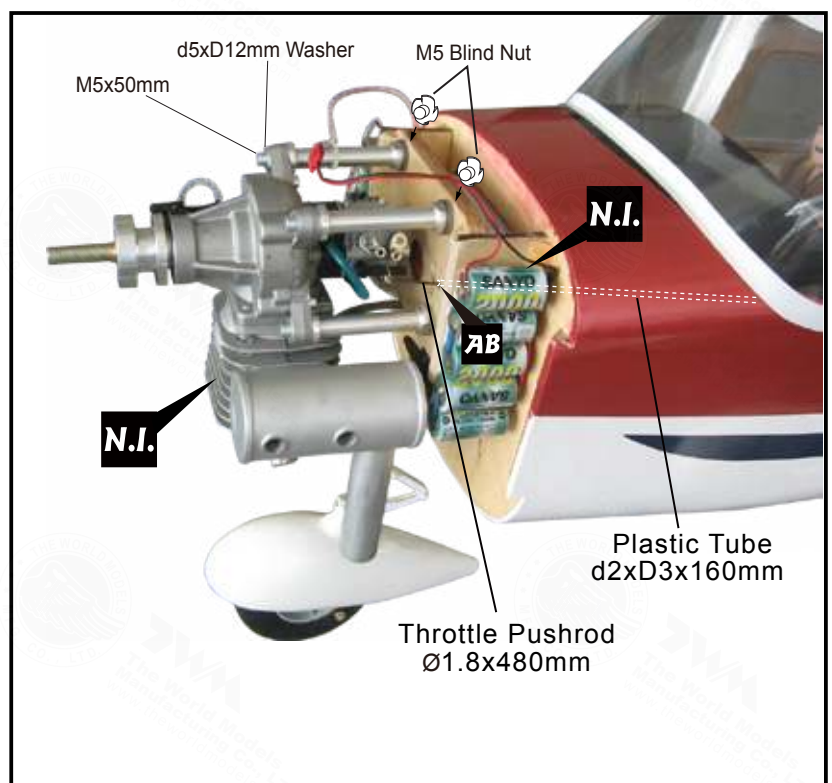
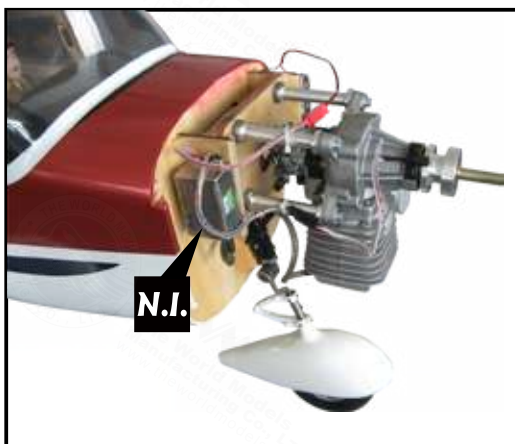
8 Main Landing Gear

M5x25mm Socket Head Screw	6
M5x65mm Socket Head Screw	2
M3x10mm Socket Head Screw	4
PWA3x8mm Screw	4
d5xD12mm Washer	10
5.1mm Collar	4
M5 Nut	2

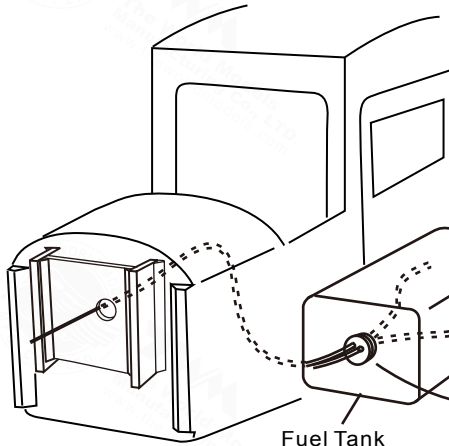


9 Engine

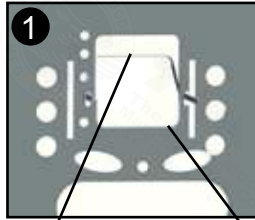
M5x50mm Socket Head Screw	4
d5xD12mm Washer	4
M5 Blind Nut	4



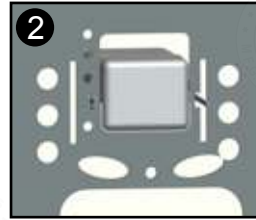
10 Fuel Tank



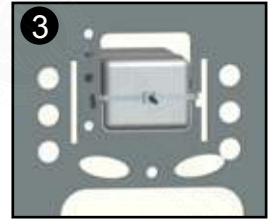
Fuel Tank
800cc



1 Cable Tie
1.5x8x500mm



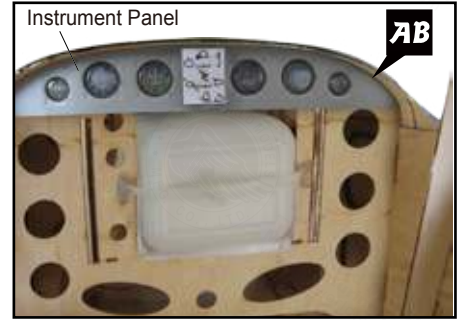
2



3

Double-sided Tape
40x160mm

UP



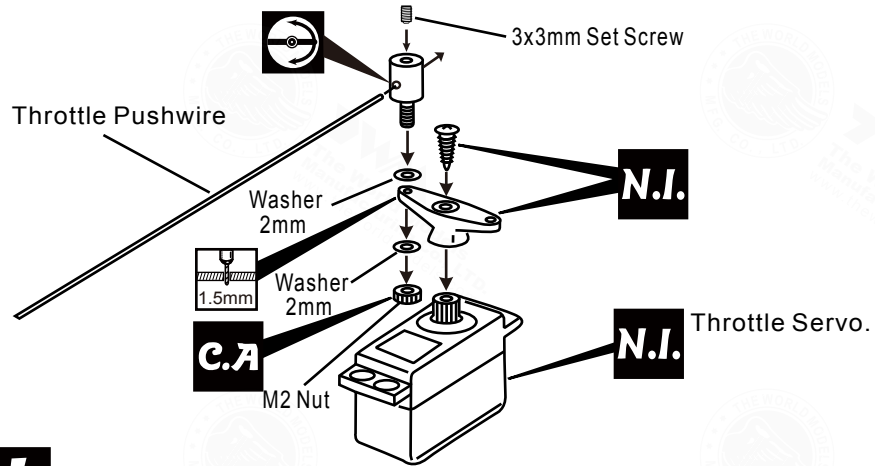
Instrument Panel

AB

● Completed

11 Servo Set

- 3x3mm Set Screw — 2
- Linkage Connector — 2
- M2 Nut — 2
- 2mm Washer — 4



N.I.

N.I.

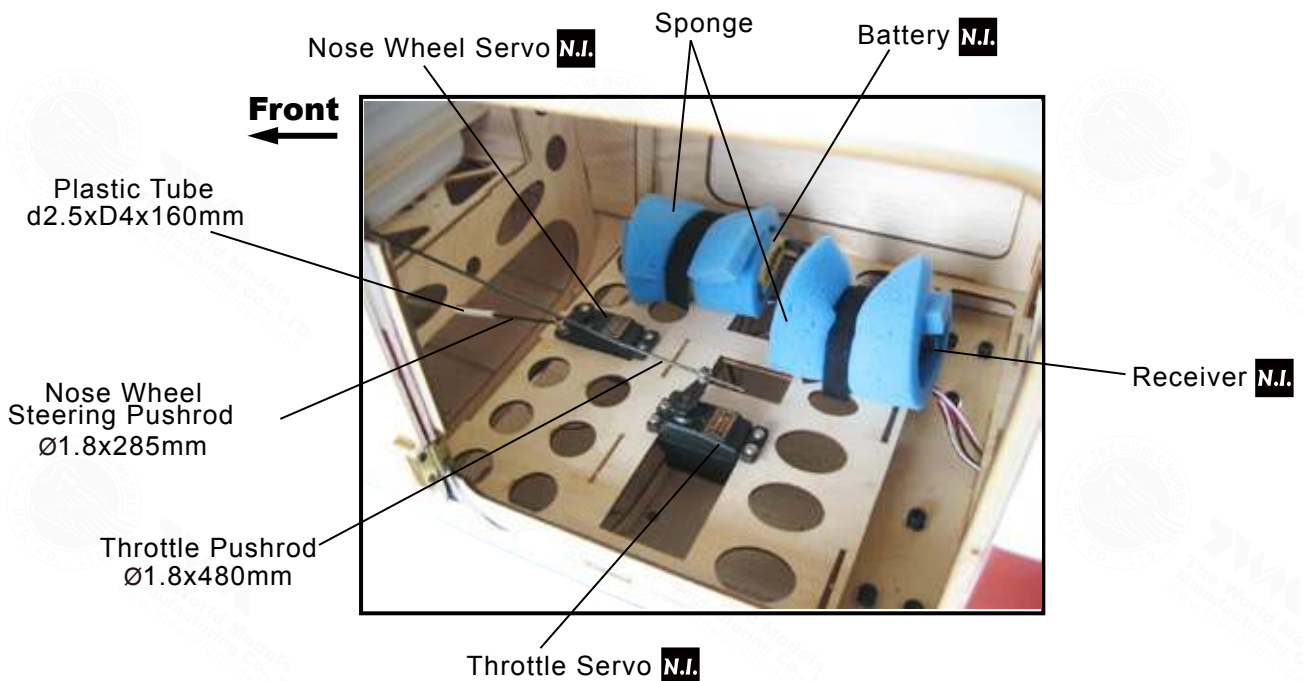
Throttle Servo.



Please refer to the attached sheet for linkage connector installation.

12 Radio Equipment

● Install and arrange the servos as shown in the diagram.



Nose Wheel Servo N.I.

Sponge

Battery N.I.

Front
←

Plastic Tube
d2.5xD4x160mm

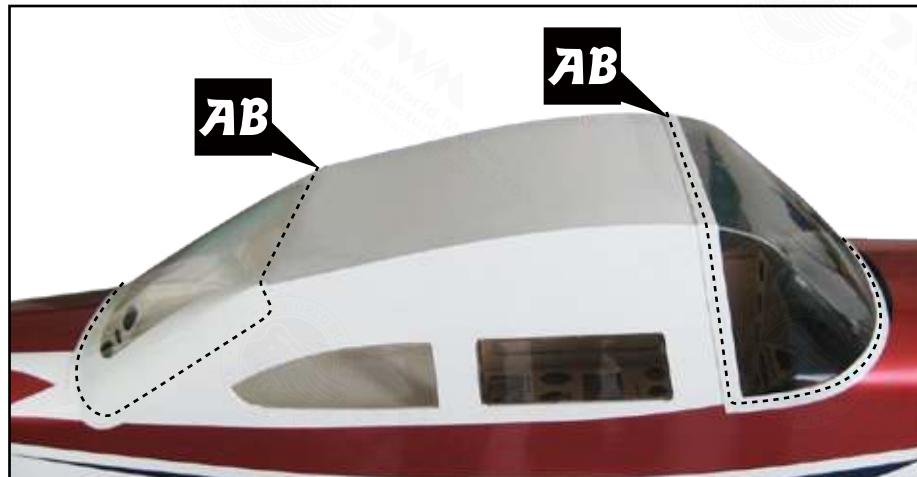
Nose Wheel
Steering Pushrod
Ø1.8x285mm

Throttle Pushrod
Ø1.8x480mm

Receiver N.I.

Throttle Servo N.I.

13 Canopy

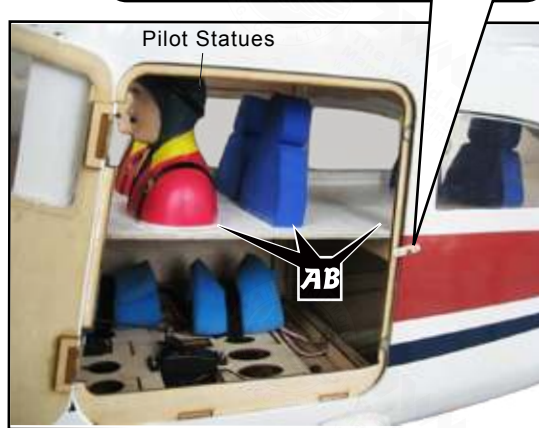
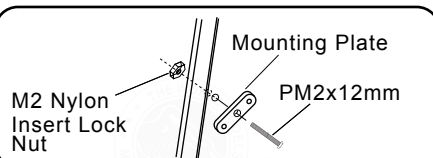


L/R

14 Pilot

PM2x12mm Screw 1

M2 Nylon Insert Lock Nut 1



15 Cowling

- First insert the grommet to the cowling then apply screw. Please refer to the attached sheet for usage of the transparent 3D template.

PA3x12mm Screw 8

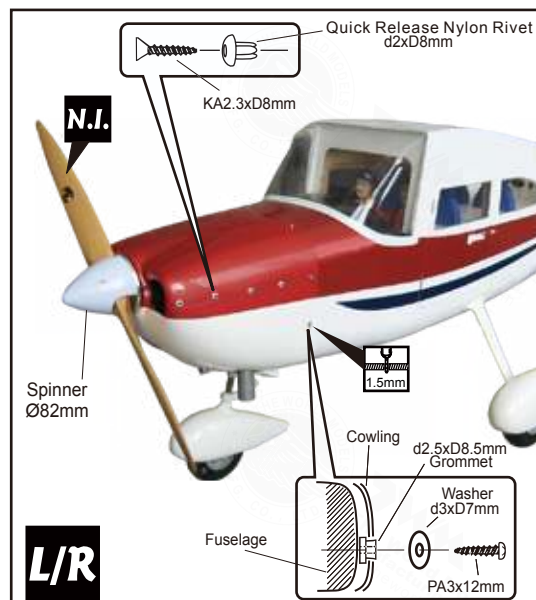
KA2.3x8mm Screw 10

PWA2.3x12mm Screw 4

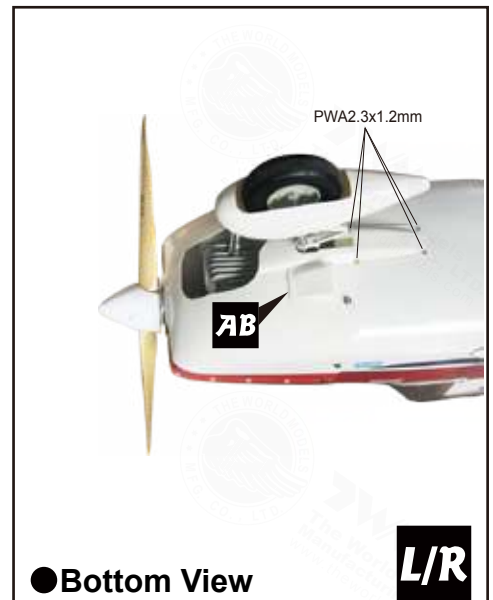
d2.5x8.5mm Grommet 8

d3xD7mm Washer 8

Quick Release Nylon Rivet d2xD8mm 10



L/R



●Bottom View

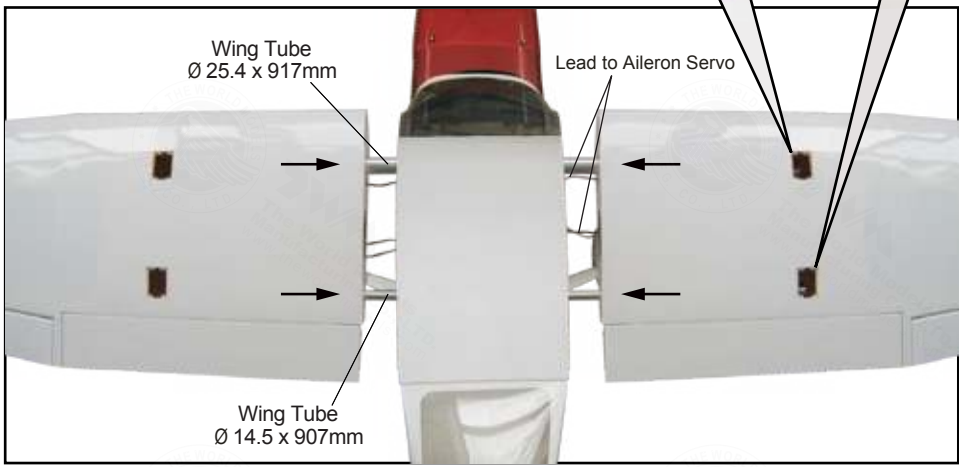
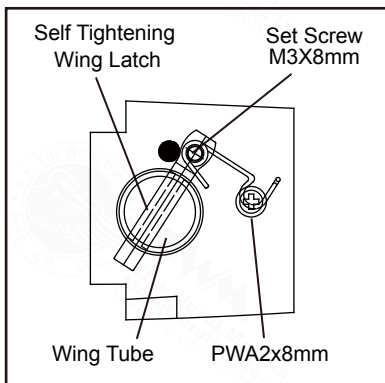
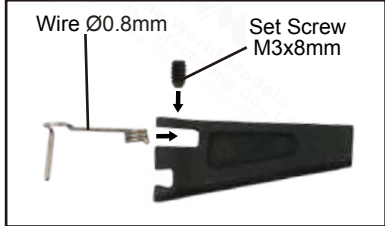
L/R

16 Main Wing

M3 x 8mm **Set Screw**

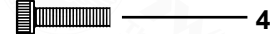


L/R



17 Wing Struts

M3x16mm **Socket Head Screw**



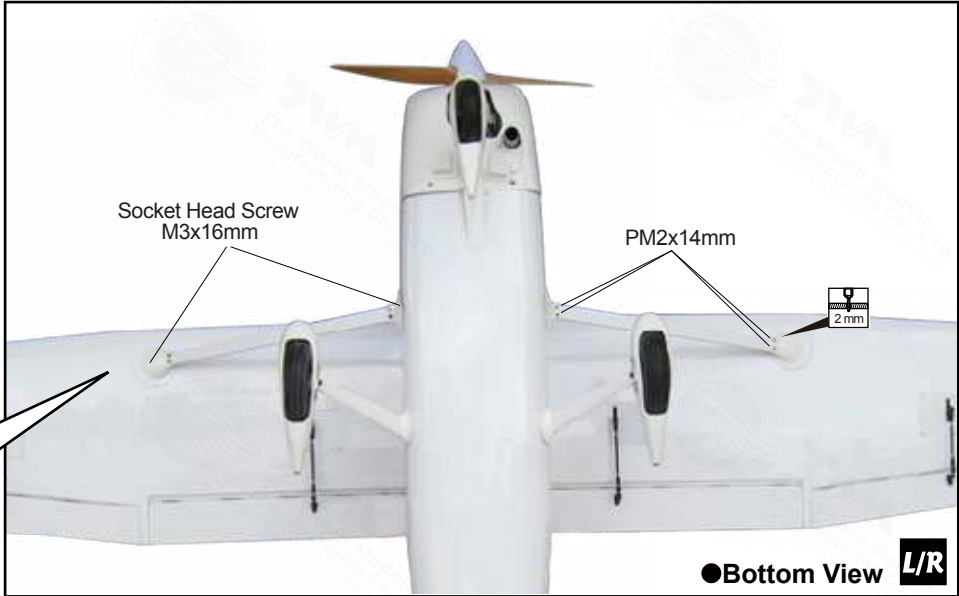
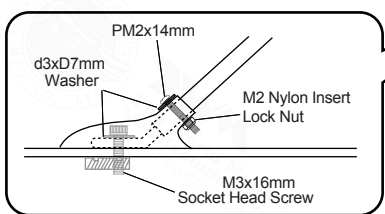
PM2x14mm **Screw**




M2 **Nylon Insert Lock Nut**



d3xD7mm **Washer**

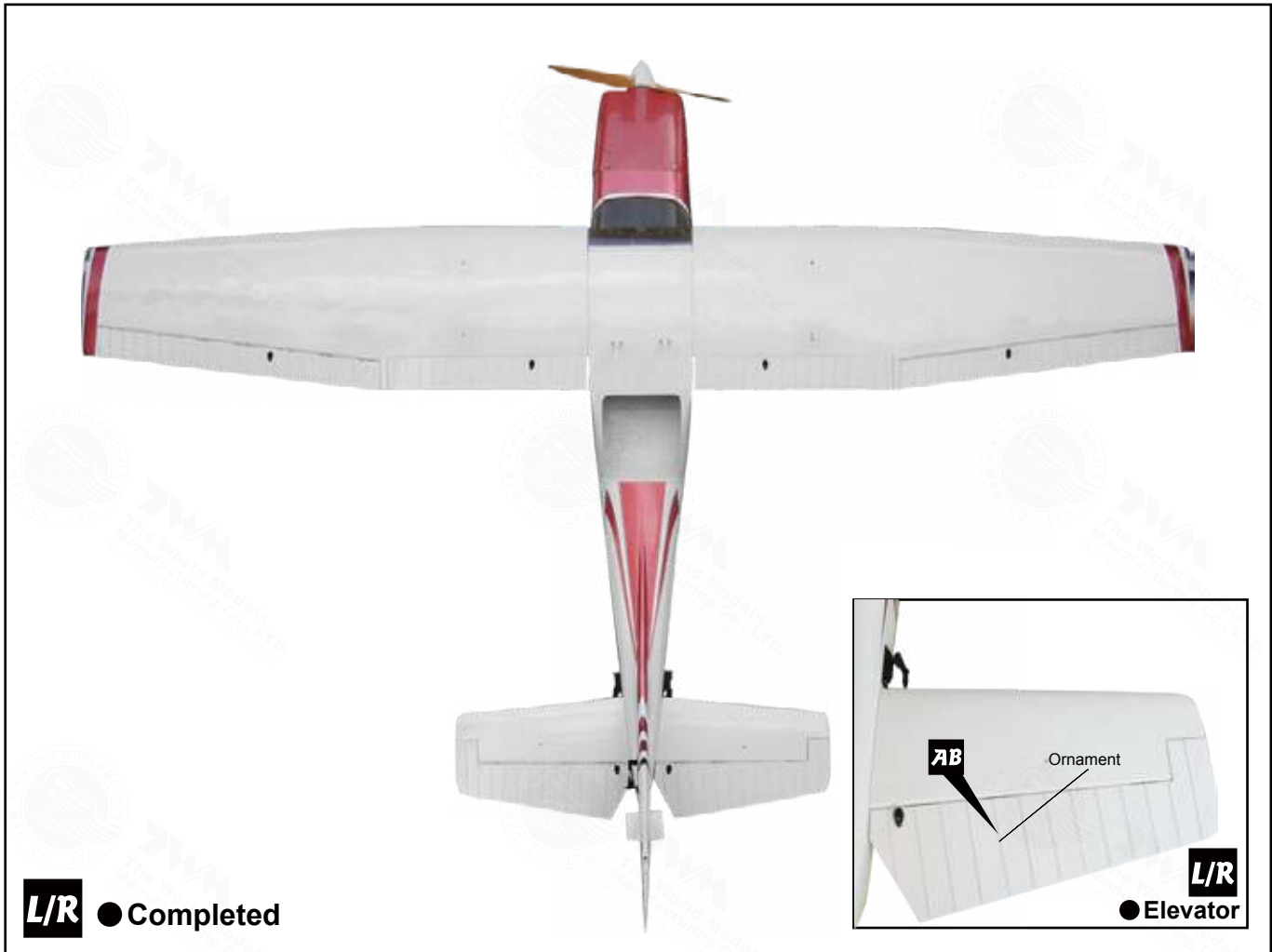
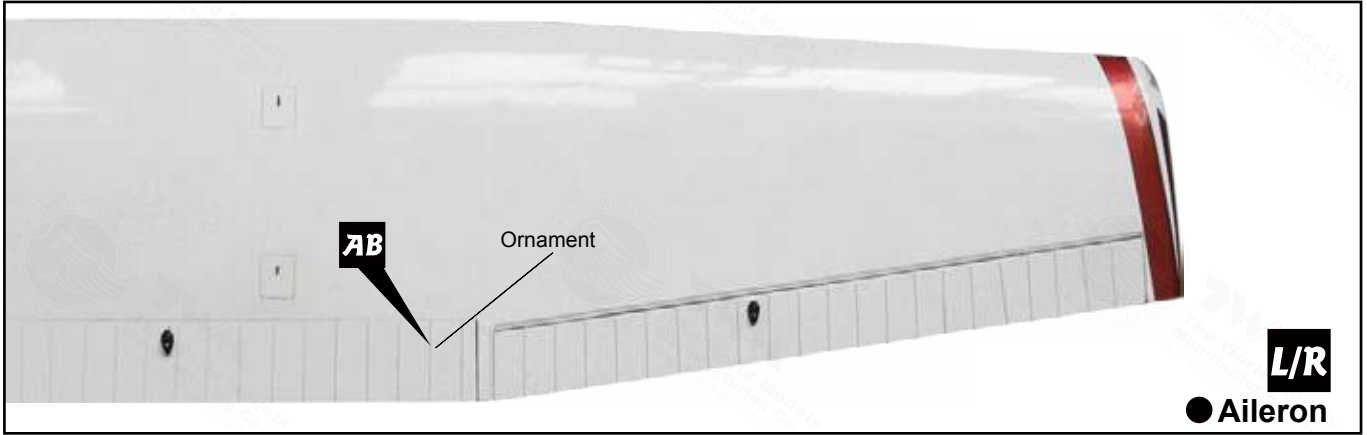
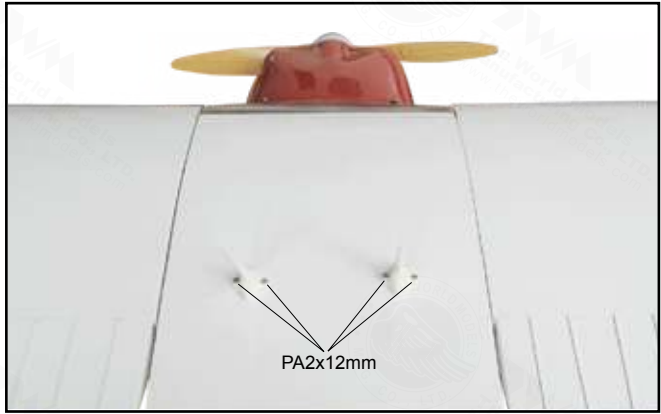


18 Antenna & Ornament

PA2x12mm Screw
 4



● Ornament

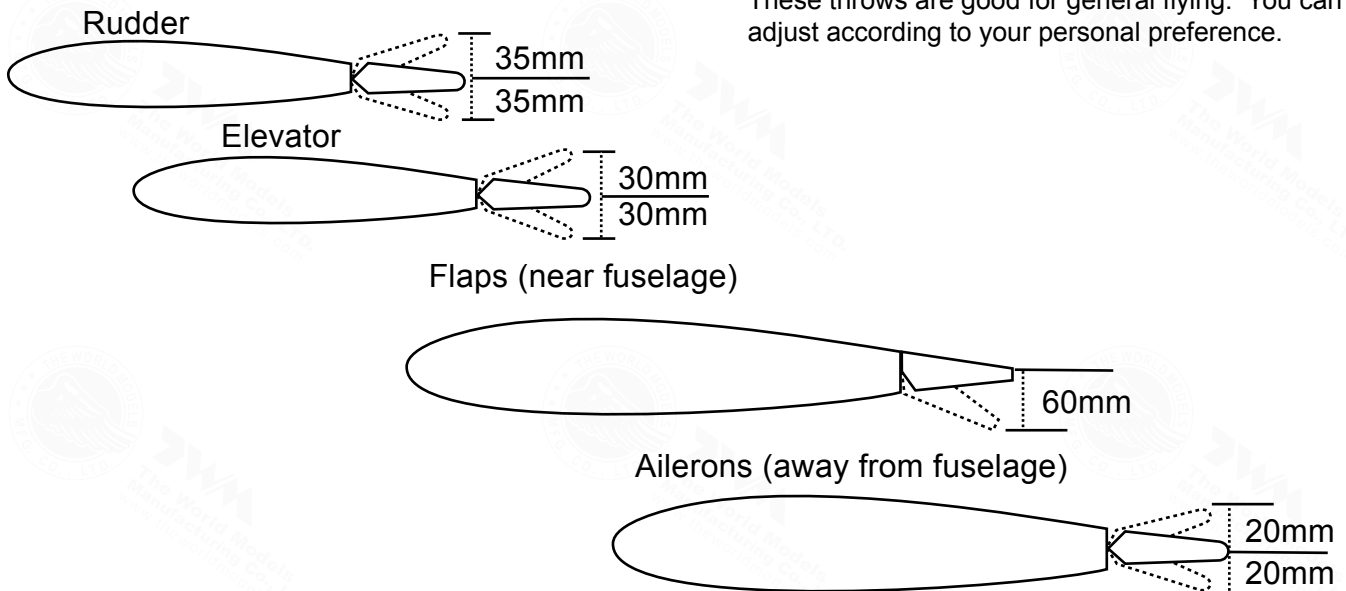


19 Decals



20 Control Throws

Adjust the control throws as shown in the diagram. These throws are good for general flying. You can adjust according to your personal preference.



21 C.G.

The ideal C.G. position is 120mm (4.72 in.) behind the leading edge measured at where the wing meets the fuselage. In order to obtain the C.G. specified, add weight to the fuselage or move the battery position. Check the C.G. before flying. If you are converting this model to electric, please move the C.G. forward 5% of current C.G. distance from leading edge to compensate for weight of fuel.



<http://www.theworldmodels.com/para/instruction/instructionManuals.php>

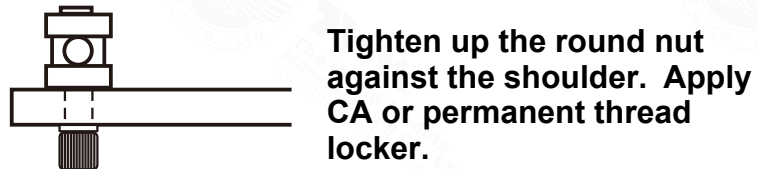
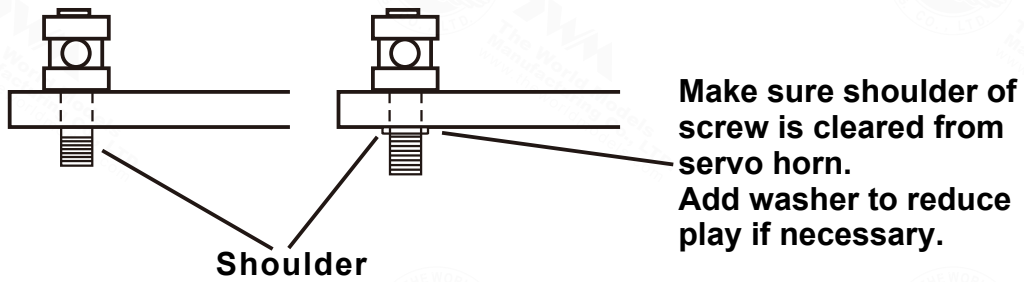
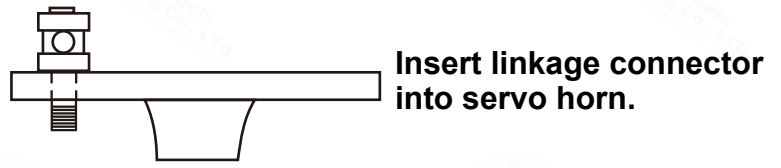
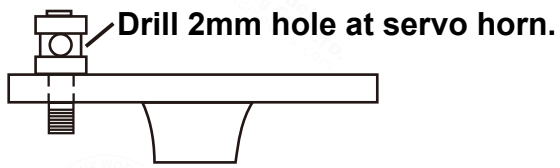
! Warning!

Important Safety Precautions

- # First time flyer should never fly by himself / herself. Assistance from experienced flyer is absolutely necessary.
- # Pre-flight adjustment must be done before flying, it is very dangerous to fly a badly pre-adjusted aircraft.
- # **SOCC SKY LINK** is specially designed to be powered by **50 c.c. gasoline** engine, using a more powerful engine does not mean better performance. In fact, over powered engine may cause structural damage and injuries.
- # Make sure the air field is spacious, never fly the plane too close to people and never get too close to a running propeller.
- # If you find wrinkles on the covering as a result of weather changes, you can use hot iron to remove the wrinkles. Please begin with lower temperature setting and gradually raise the temperature until the wrinkles are gone. Too hot an iron may damage the covering. Don't use hot iron near the seams or edges, hot iron will melt the glue and shrink the covering at the same time, causing the seams to pull away.
- # Check and re-tighten up all factory assembled screws, use thread locker if necessary.

LINKAGE CONNECTOR

HW7111050 & HW7111060



After fastening the round nut, make sure that the linkage connector can rotate freely.

Product Registration Form (US Customers)

We would like to share with you any relevant information regarding your model, including product news and free upgrade parts when applicable. Please fill in the following and send to AirBorne Models, 4749-K, Bennett Drive, Livermore, CA 94551 USA.

1. Name: _____

2. Address: _____

3. Phone #: _____ E-mail: _____

4. Model: _____

Wing QC# _____ Fuselage QC# _____
(QC numbers are stamped on wing and fuselage)

5. Date of Purchase: _____

6. Store Name: _____

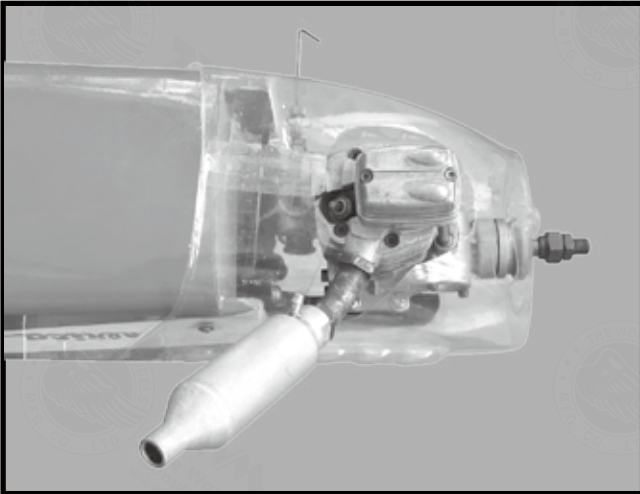
Please call AirBorne Models at 925 371 0922 for any assistance in filling this form. Thank you very much for purchasing our product.

Usage of the transparent 3D template

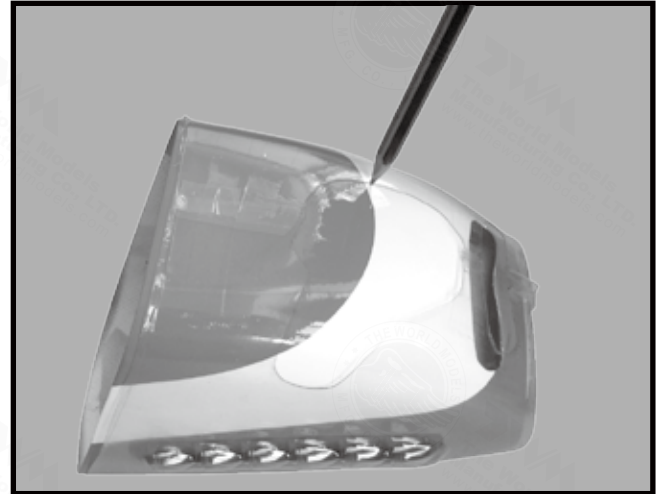


This transparent 3D template is used for position guidance of the actual cutting of the pre-painted cowling.

1



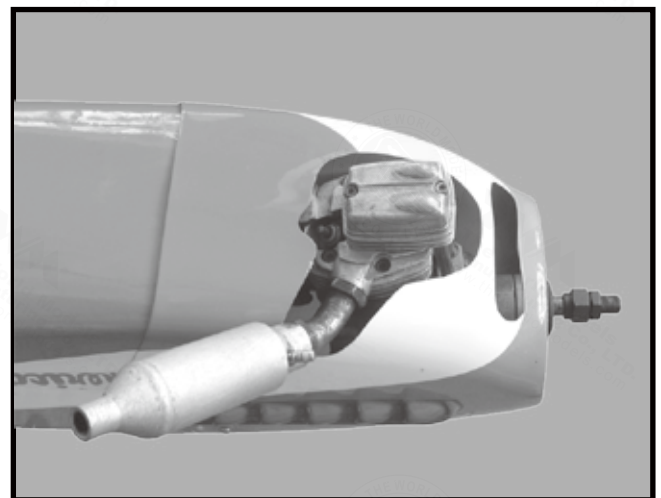
2



3



4



Simply cut the transparent 3D template to fit your engine and exhaust pipe, then slide onto the actual cowling and use as template to mark the openings required for final cutting.

Optional Parts

(ACCESSORIES)

180mm Extension

Code No.	Size	Package
----------	------	---------

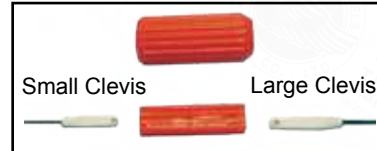
KW0011800 180mm 1 set



Clevis Wrench

Code No.	Size	Package
----------	------	---------

PL8210010 1 set

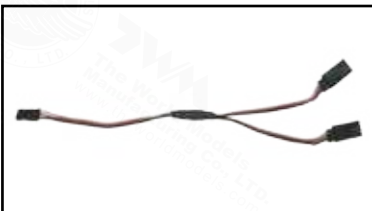


Special tool for clevis installation.
Suitable for standard and small (EP) clevis.

180mm Y-Cord

Code No.	Size	Package
----------	------	---------

KW0021800 180mm 1 pc



Field Stand

Code No.	Size	Package
----------	------	---------

MS9111430 600 x 240 x 310mm 1 pc



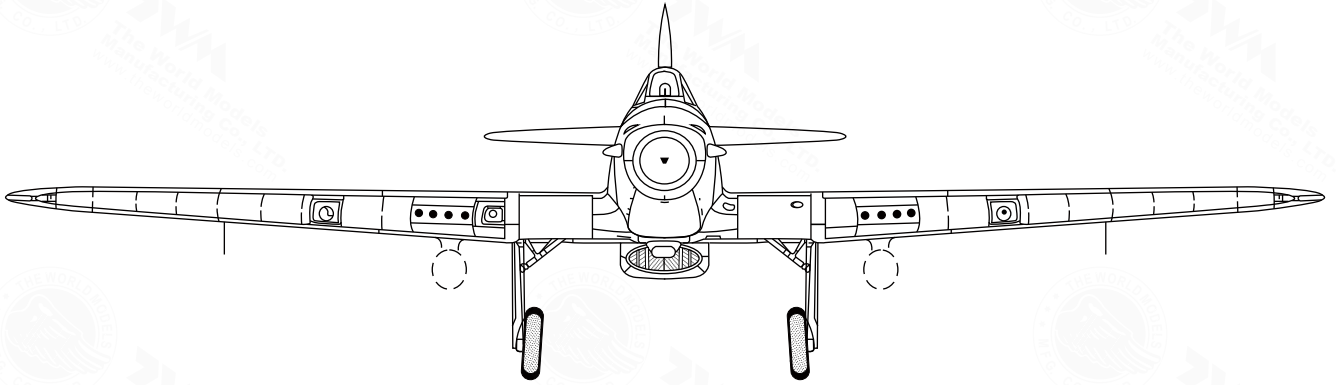
Charge Receptacles

Code No.	Size	Package
----------	------	---------

KP0041300







Ducted Fan

Pattern

Warbirds

Funfly

Scale

Electric

Sports

Glider

Trainer

Boat

Accessories

Covering

(Lightex / Toughlon)



**The World Models
Manufacturing Co., LTD.**
www.theworldmodels.com