

# Falcon Trainer

## Assembly Manual



Wing Span:73.2in/1860mm;	Radio:4Channel 5Servos;
Wing Area:62sq.dm;	Engine:20CC Gas
Length:61in/1550mm;	

**CAUTION : this plane is not a toy and should be kept away children under 16 years of age! Before use , please carefully read this manual.**

●First-time builders should seek advice from people having building experience in order to assemble the model correctly and to produce its performance to full extent .

●Assemble this kit only in places out of children's reach!

●Take enough safety precautions prior to operating this model.

You are responsible for this model's assembly and safe operation!

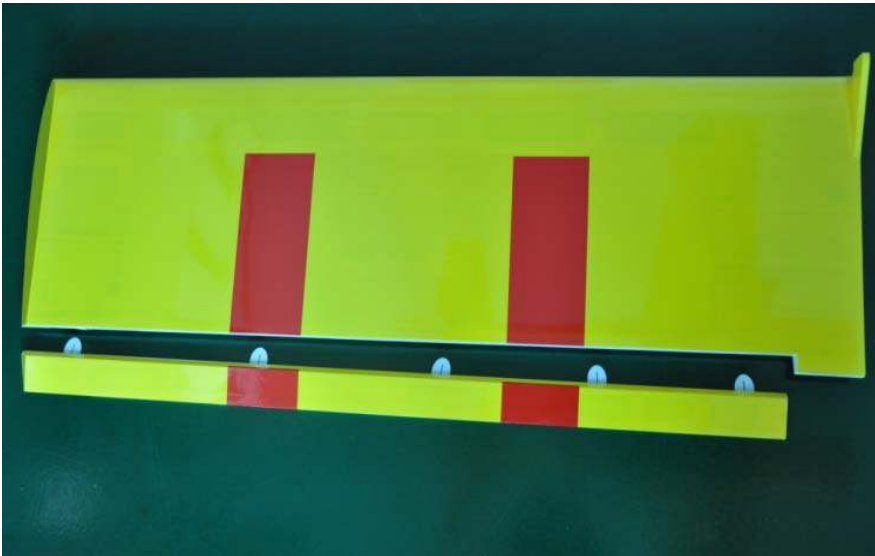
●Always keep this instruction manual ready at hand for quick reference,even after completing the assembly.

## All the parts together



## Main Wings

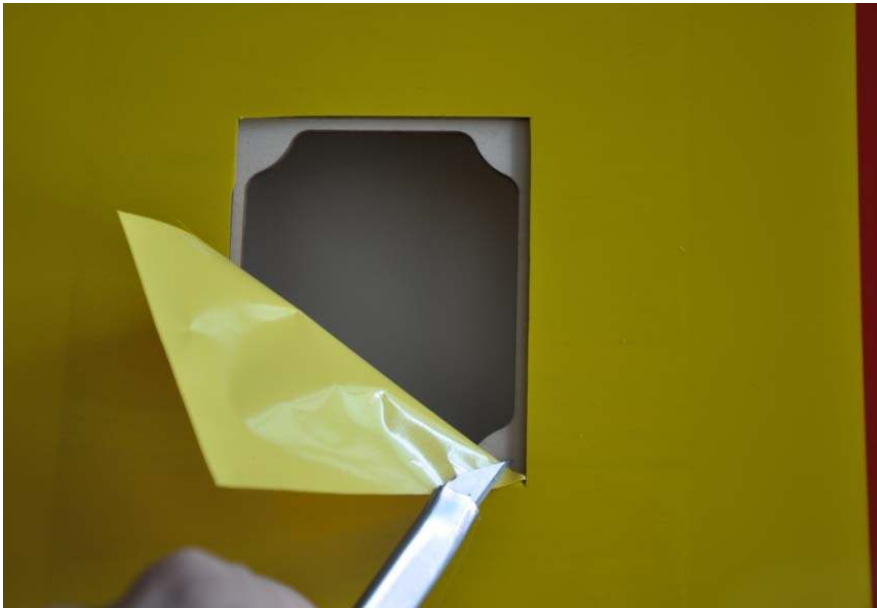
Connect the aileron and the main wing by hinges. Be sure to apply instant type glue to both sides of each hinges.



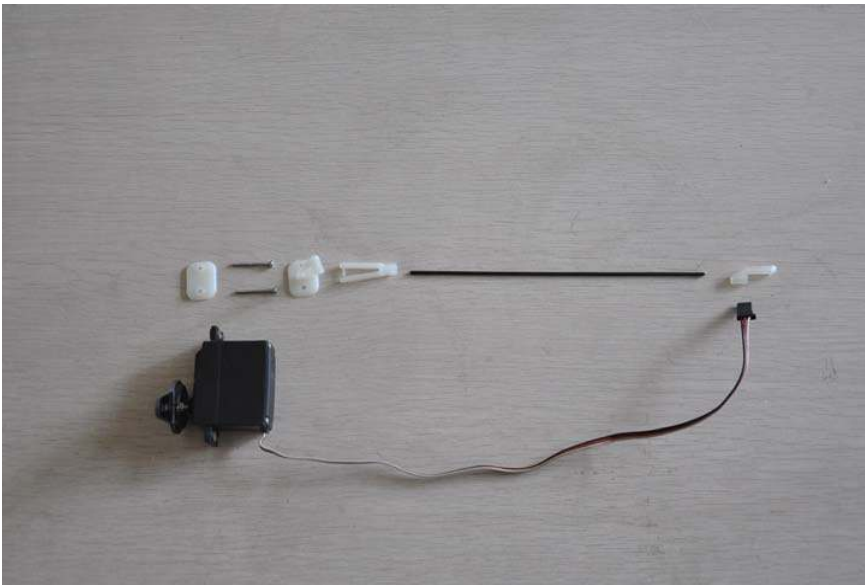
Install the aileron horns in place with AB glue. Align the holes in the horns



Cut the servo holes on the bottom of the main wings



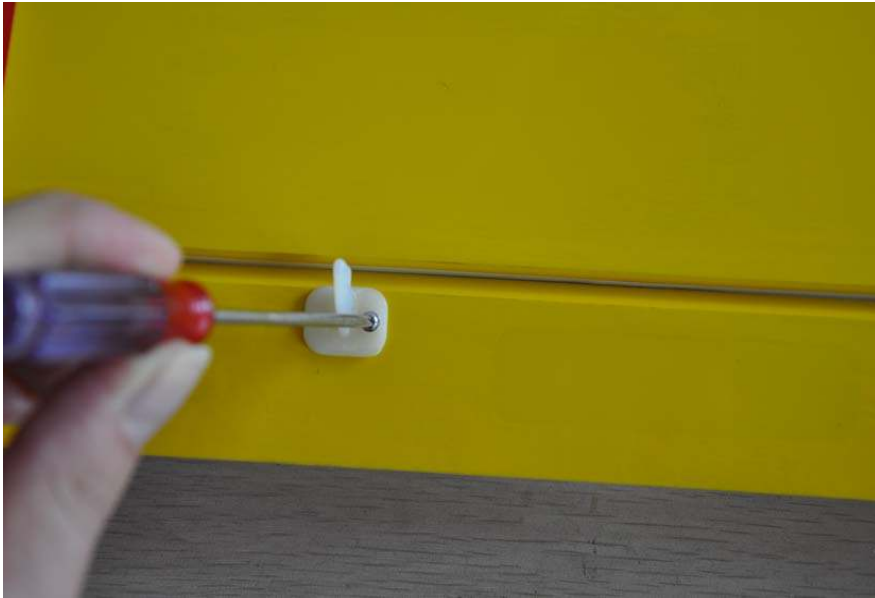
Gather servo parts as shown.



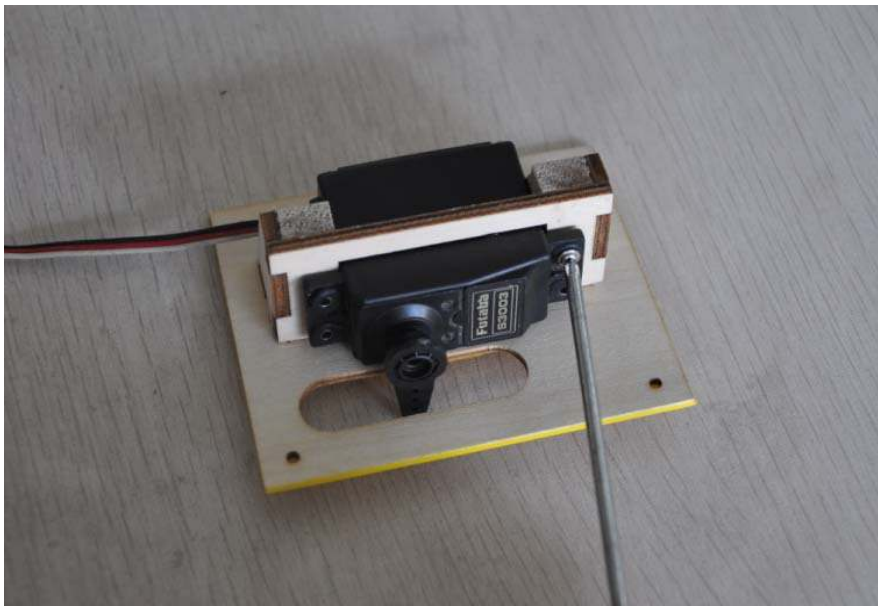
Install the control horn.



Use screw to fixed it



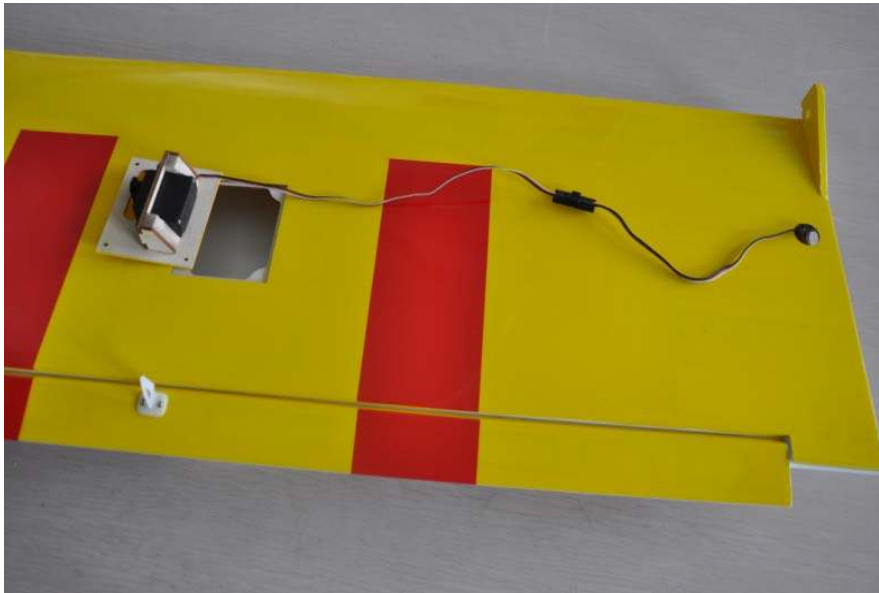
Install the servo.as shown



Drill holes with the specified diameter(13mm) on the bottom wing



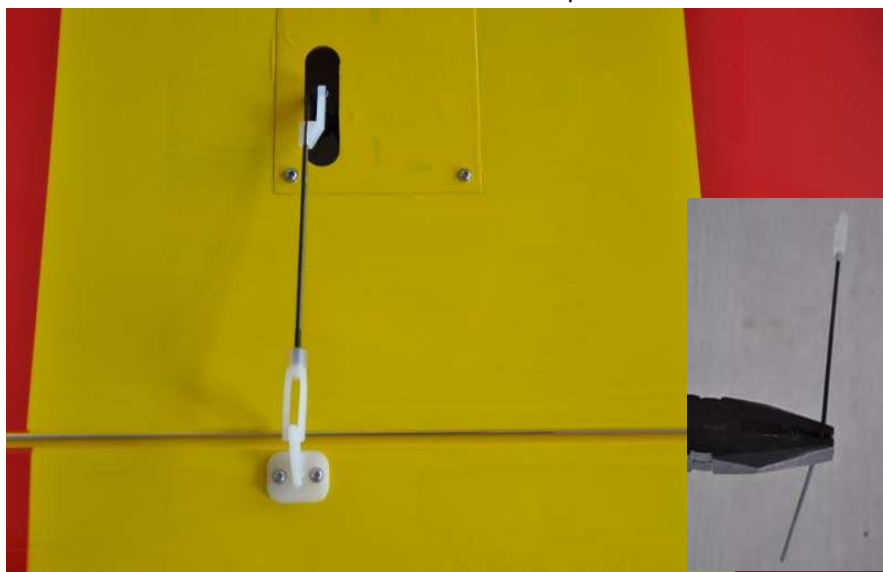
Servo extension through the hole



Put the servo into the hole then use screw fixed it



Connect the servo arm and control horn with push rod .

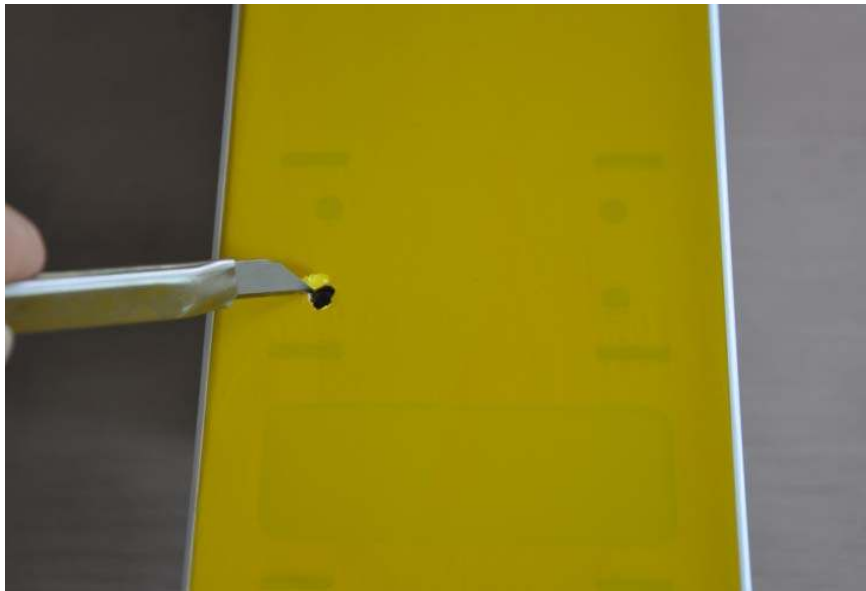


Connect the main wings and the fuselage with hard wood.

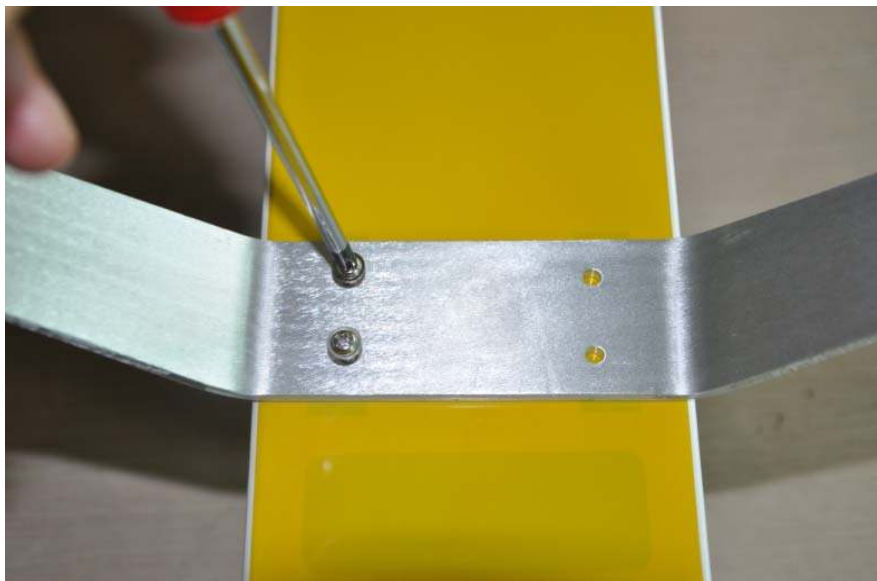


### **Main Landing Gear and Tail Wheel Unit**

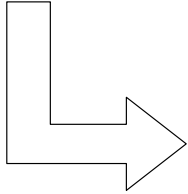
Cut hole at the Original design hole of the fuselage



Fix up main landing gear on the fuselage bottom with screws.



Use screw to connect the landing gear, wheel pant, nut and wheel in turn, and finally use a lock nut to lock them.



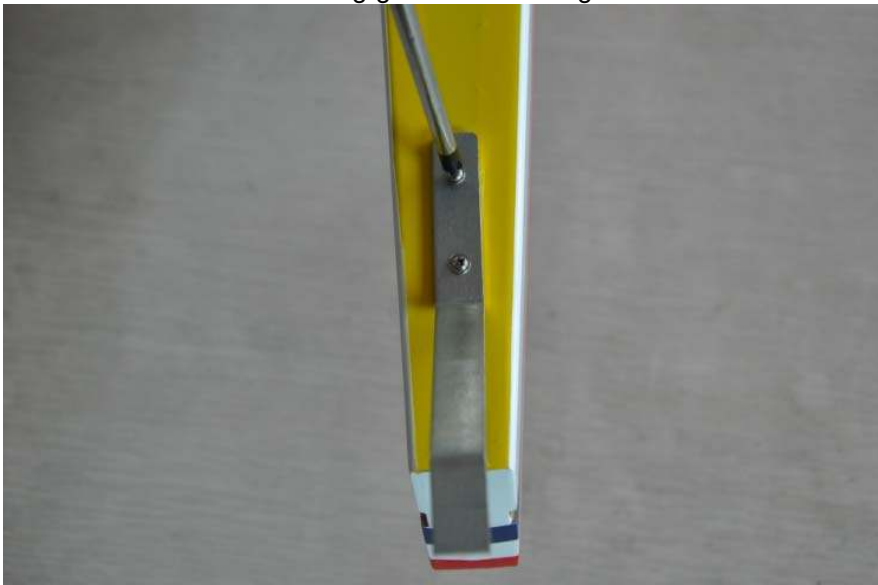
Finished photo



Drill holes with the specified diameter(2mm)



Use screw to lock tail landing gear on the wing bottom



### Stabilizer And Rudder

Apply epoxy into hinge hole of the elevator



Connect the vertical fin and the rudder by hinges.





Cut off shaded portion on the fuselage.



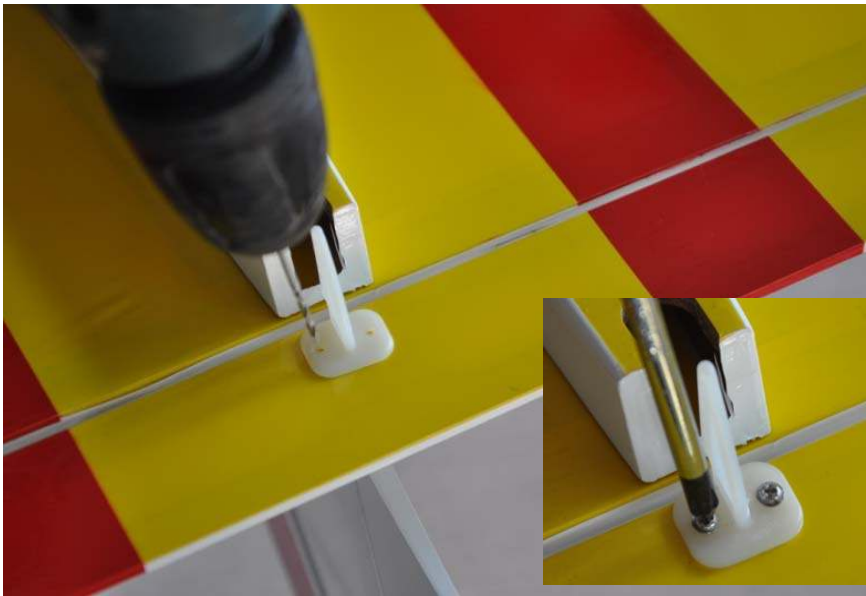
Cut the holes on the stabilizer



Install the elevator and vertical fin, as shown



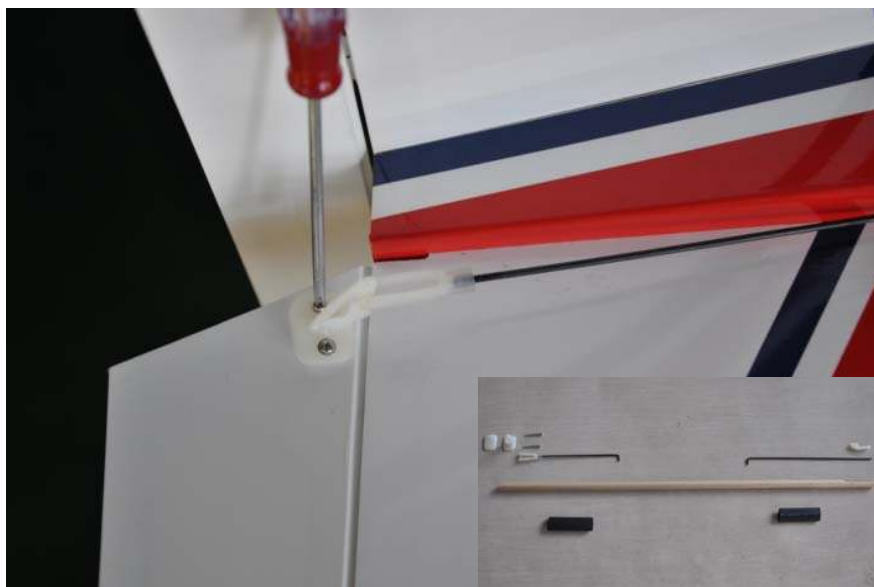
Install the elevator horns and fix it with screws.



Finished photo



Install rudder horns and push-rod.



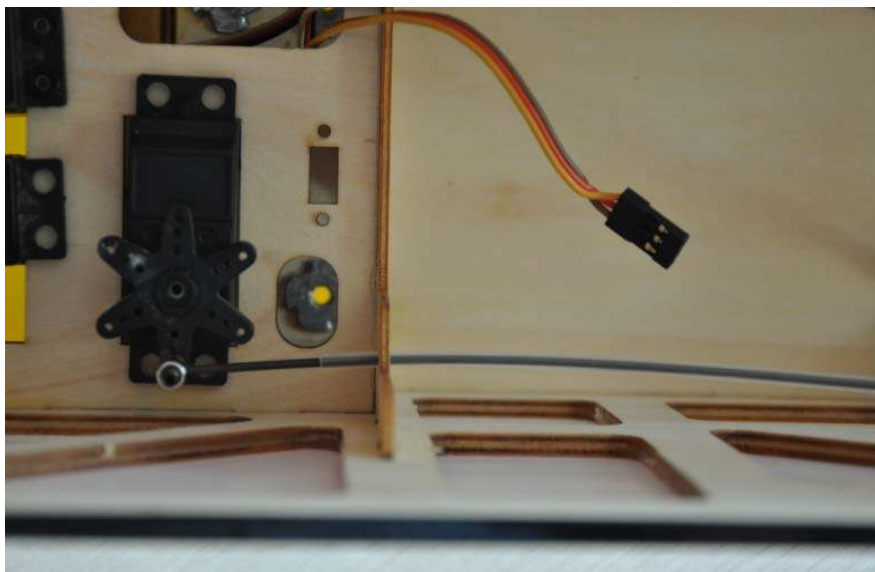
Assemble the elevator servos in the fuselage



Install the rudder servo and fix it with screws.



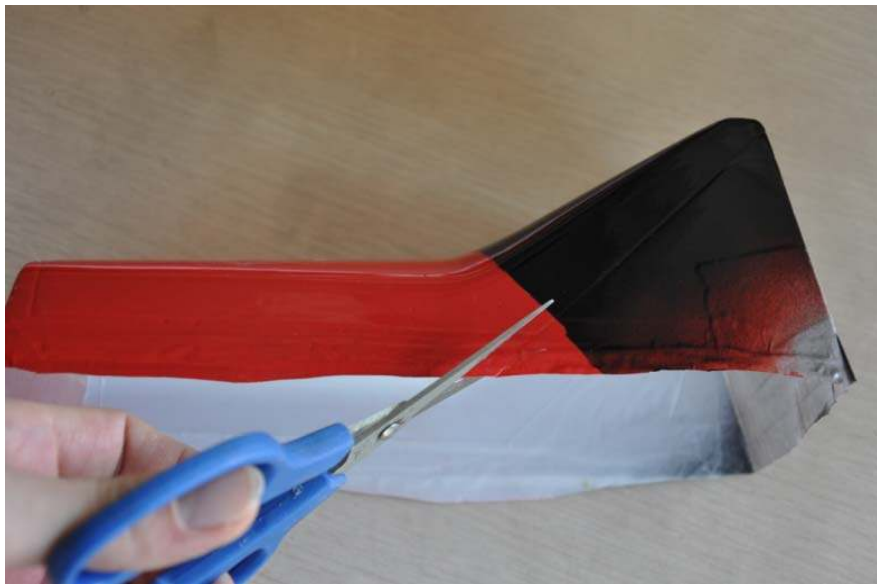
Install throttle servo and push-rod



Screwed to the wing.As shown.



Trim fit the canopy



Use screw to lock it



Drill a hole use for install adjustable engine mounts



Fixed with nuts



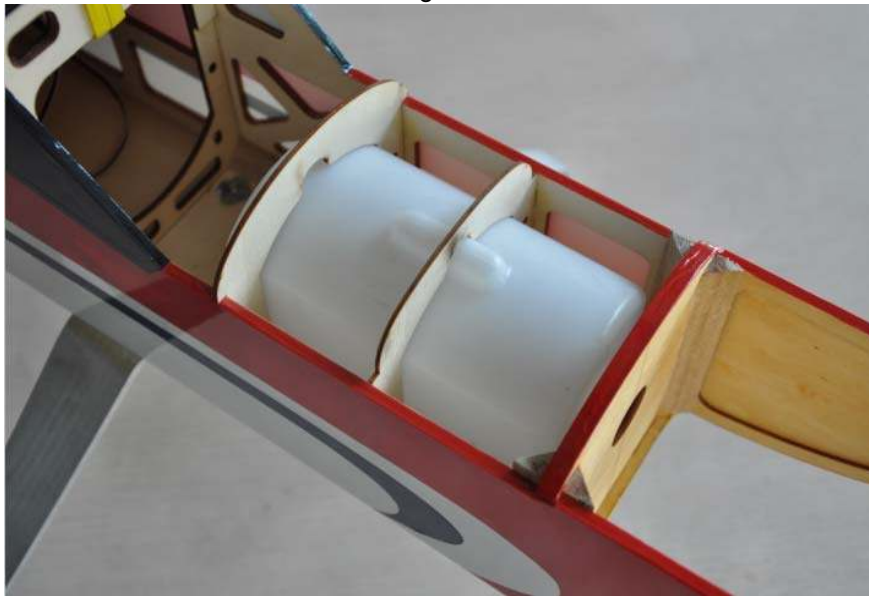
Finished photo



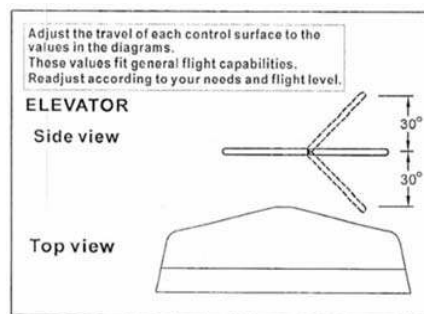
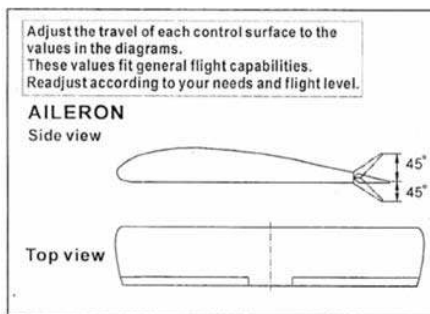
Install the engine.as shown



Mount the fuel tank into the fuselage



## CG POSITION & CONTROL THROWS

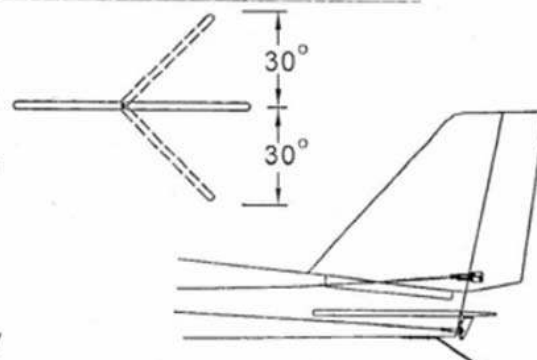


Adjust the travel of each control surface to the values in the diagrams.  
These values fit general flight capabilities.  
Readjust according to your needs and flight level.

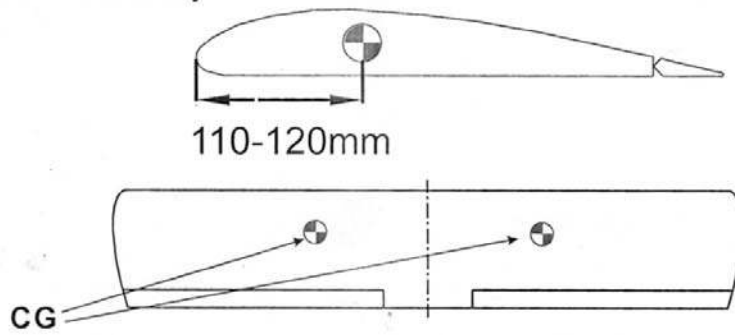
**Rudder**

Side view

Top view



Never fly before checking the Cg' s required position.  
In order to obtain the CG specified ,reposition the  
receiver and battery.



警告  
Warning!

**NEVER** fly the model  
without well balancing.

## THE FINISHED PHOTO



Enjoy it





































