

# FOCKE WULF FW 190



# **FOCKE WULF FW 190**

---

# **FOCKE WULF FW 190**

---

# FOCKE WULF FW 190

## Brief introduction

High scaled design. Removable horizontal tail, Vertical tail and main wing, which is convenient to maintain. Super easy operation , easy to control, just enjoy and have fun of it.

## Main specifications

Wing Span:1600mm  
Length:1350mm  
Flying Weight:3300g  
ESC:Brushless 80A  
Li-Po battery:22. 2V-4000mAh 30C LiPo Battery  
Servos:9G servos x4 and 40G servos x2  
Motor:Brushless Motor 5060 Ourrunner KV290

## Products contents

Fuselage、 Main wing、 Horizontal tail、 Vertical tail 、 Spare parts、 Propeller、 Wing rod、 Machine gun、 Bomb fixed parts、 Bomb 、 Decoration parts.



# FOCKE WULF FW 190

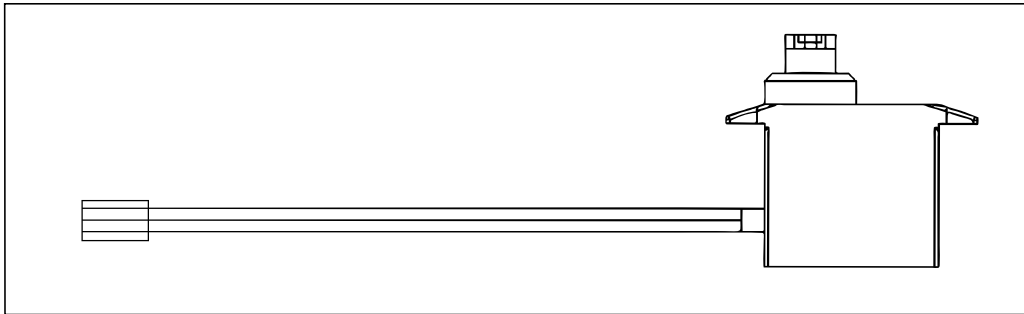
---

## Trouble shooting

Phenomenons	Problems	Solutions
Motor does not run	<ol style="list-style-type: none"><li>1. Battery is not fully charged.</li><li>2. The battery in the transmitter is not full.</li><li>3. The circuit in model has been damaged due to Crash.</li><li>4. Binding Problem.</li></ol>	<ol style="list-style-type: none"><li>1. Charge the battery.</li><li>2. Install new dry cells.</li><li>3. Contact the distributor.</li><li>4. Re-binding receiver to transmitter</li></ol>
Can not fly straight	<p>Elevator and / or Ailerons are out of trim. Rudder are out of trim.</p>	<p>Adjust the trim switch of the appropriate control to be correct. Adjust Rudder trim to be correct.</p>
Can not climb	<ol style="list-style-type: none"><li>1. The battery is not fully charged.</li><li>2. Two aileron are biased downward</li><li>3. Elevator are out of trim.</li></ol>	<ol style="list-style-type: none"><li>1. Charger the battery.</li><li>2. Adjust the trim switch on the Transmitter. Aileron to the two-up</li><li>3. Adjust elevator trim to be correct.</li></ol>
Limited control range	The transmitter batteries are almost flat	Install new batteries.

# FOCKE WULF FW 190

---



Elevator Servo	310mm	Forward	1PCS
Rudder Servo	310mm	Forward	1PCS
Aileron Servo	500mm	Forward	2PCS
Flap Servo	310mm	Forward	1PCS
	310mm	Reverse	1PCS
For Aileron	Y Lead	100mm	1PCS
For Flap	Y Lead	100mm	1PCS

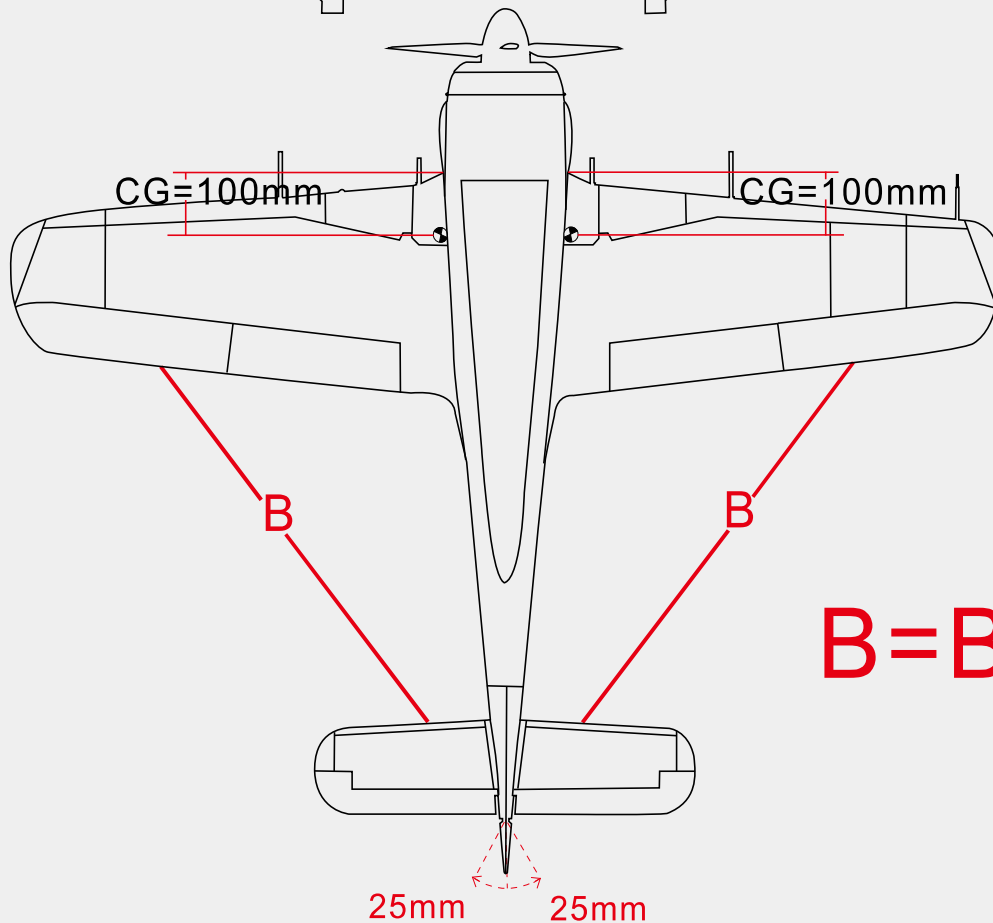
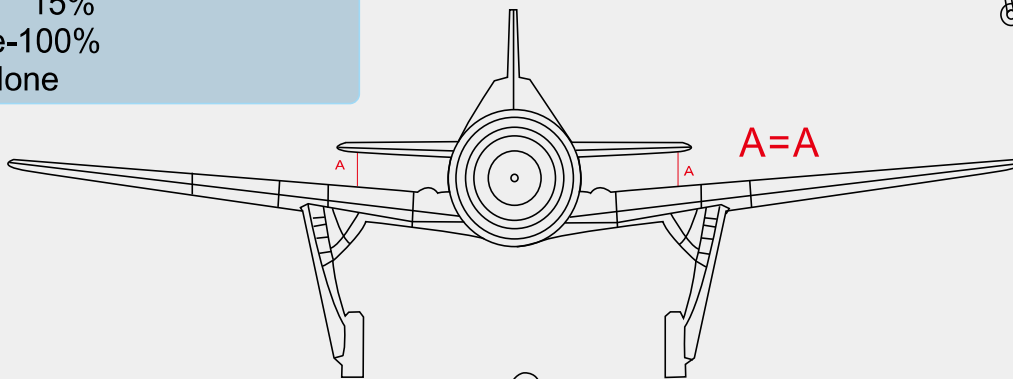
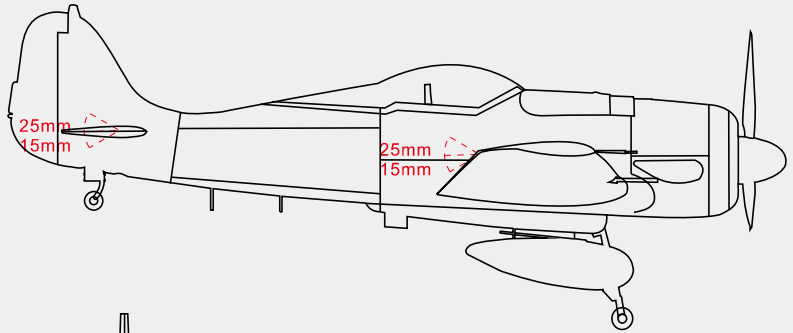
★. The manufacturer reserve the right to modify the specification of this model at any time without notice.

# FOCKE WULF FW 190

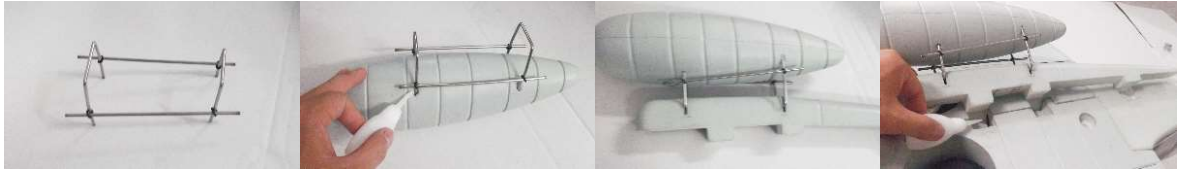
## Center of Gravity Check

### THROWS AND SET UP

- Ailerons - Up 25mm  
Down 15mm
- Expo - 25%
- Elevator - Up 25mm  
Down 25mm
- Expo - 25%
- Rudder-Left 25mm  
Right 25mm
- Expo- 15%
- Throttle-100%
- Expo-None



# FOCKE WULF FW 190



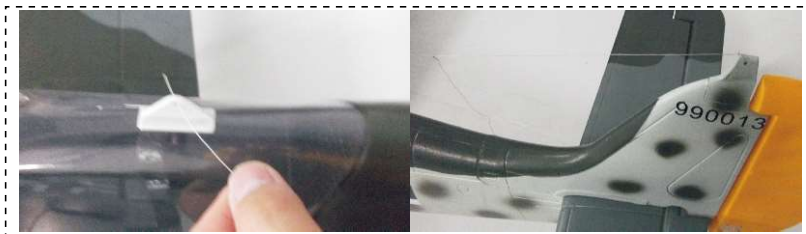
Install the bomb into the correct position on the wings, it only for scale detail and provide no added strength to the model so it's an option fit.



Glue these scale detail parts into place.



Locate the propeller on to the prop adaptor. Tighten the prop nut firmly to retain the propeller. Install the spinner using the screw provided. PM 4\*35mm 1pcs



Install the wire between cockpit cove and tail wing.



OK