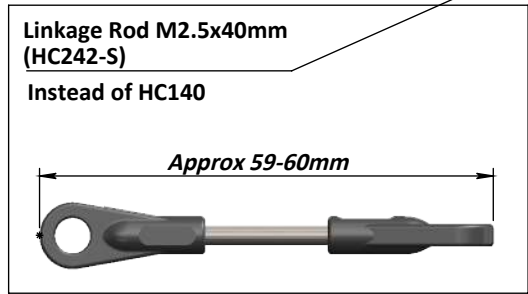


Main Shaft Cone 800 (H1432-S)
Instead of H1389

Delrin Guide Long (H1472-S)
Instead of H1378

Bearing Support Long (H1479-S)
Instead of H1370

Maverick Low Side DX Frame (H1421-S)
Instead of H1318



Maverick Canopy (H1422-S)
Instead of H1316

Main Blade 800 (MAW800)
Instead of TBS747

Maverick Tail Fin (H1419-S)
Instead of H1377

Tail Blades (MAV3115)

Tail Belt (HC613-S)
Instead of HC325

Carbon Rod (HC616-S)
Instead of HC615

Maverick Tail Boom (H1418-S)
Instead of H1319

Maverick Multi Luncher (H1524-S)

Maverick Rockets (H1525-S)

Maverick Wing (H1523-S)

Silver Landing Gear (H0725-S)
Instead of H0639

Maverick Low Side SX Frame (H1420-S)
Instead of H1317

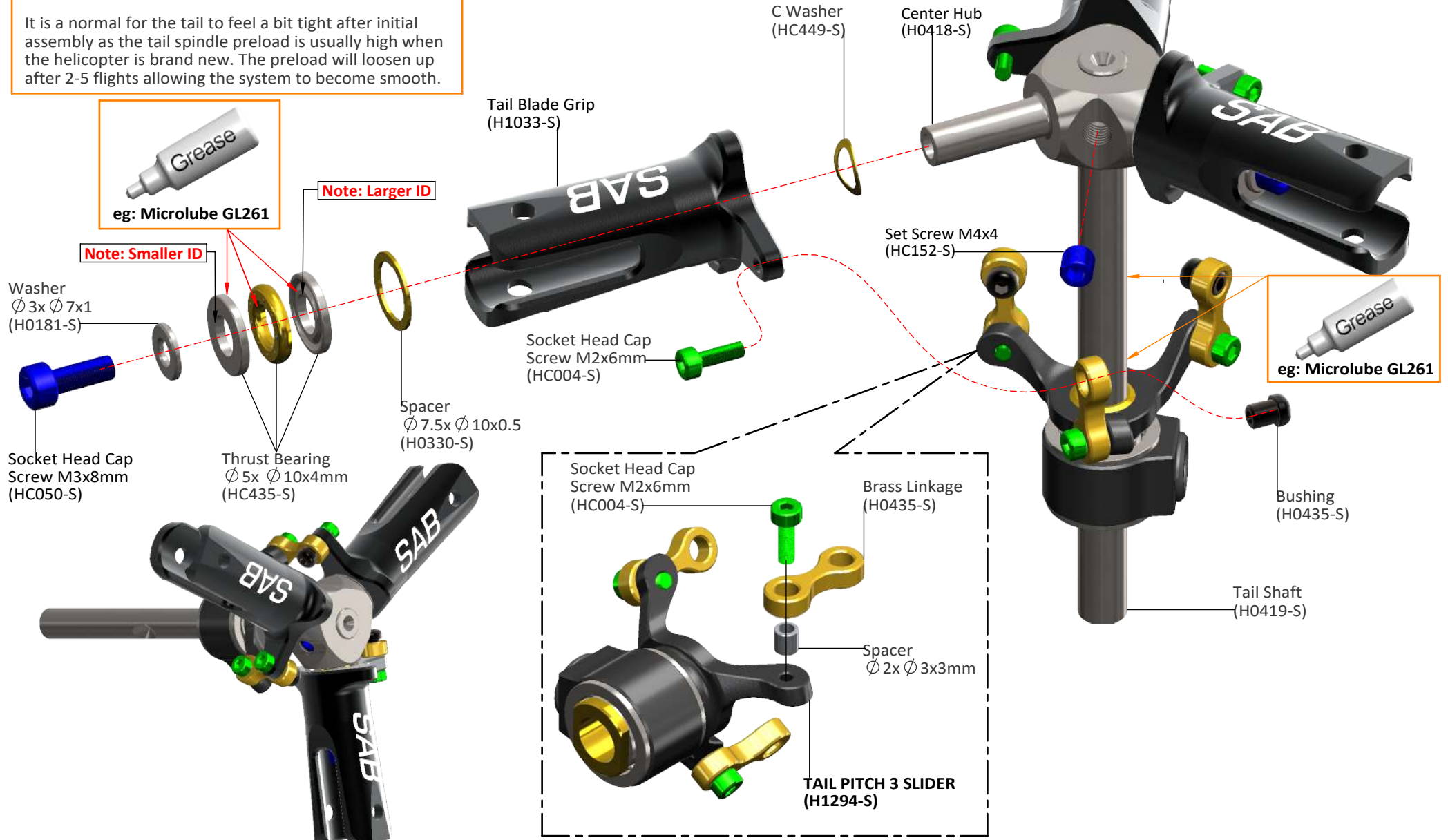


THIS PAGE REPLACES PAGE 18 OF THE GENESIS MANUAL.

FOAM 2, BAG 11

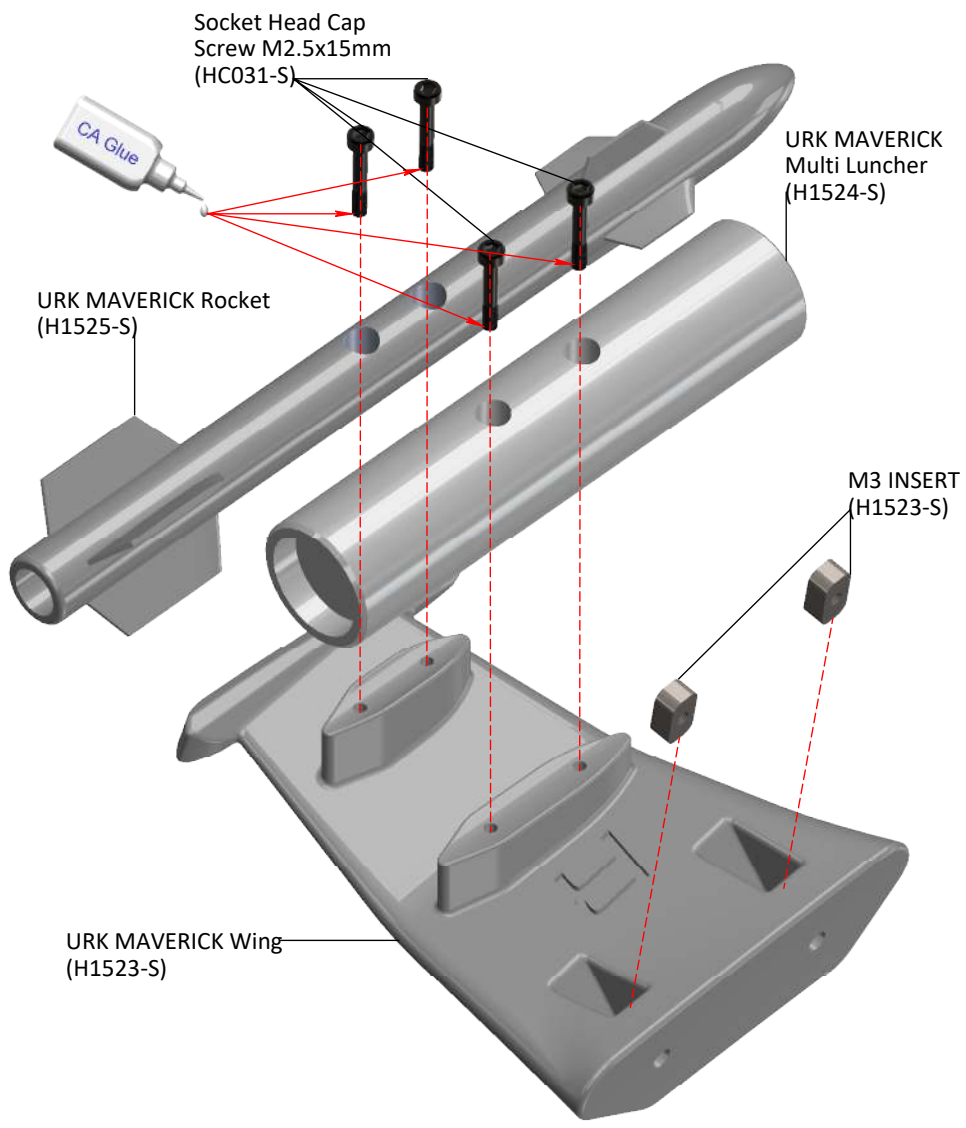
NOTE:

It is normal for the tail to feel a bit tight after initial assembly as the tail spindle preload is usually high when the helicopter is brand new. The preload will loosen up after 2-5 flights allowing the system to become smooth.

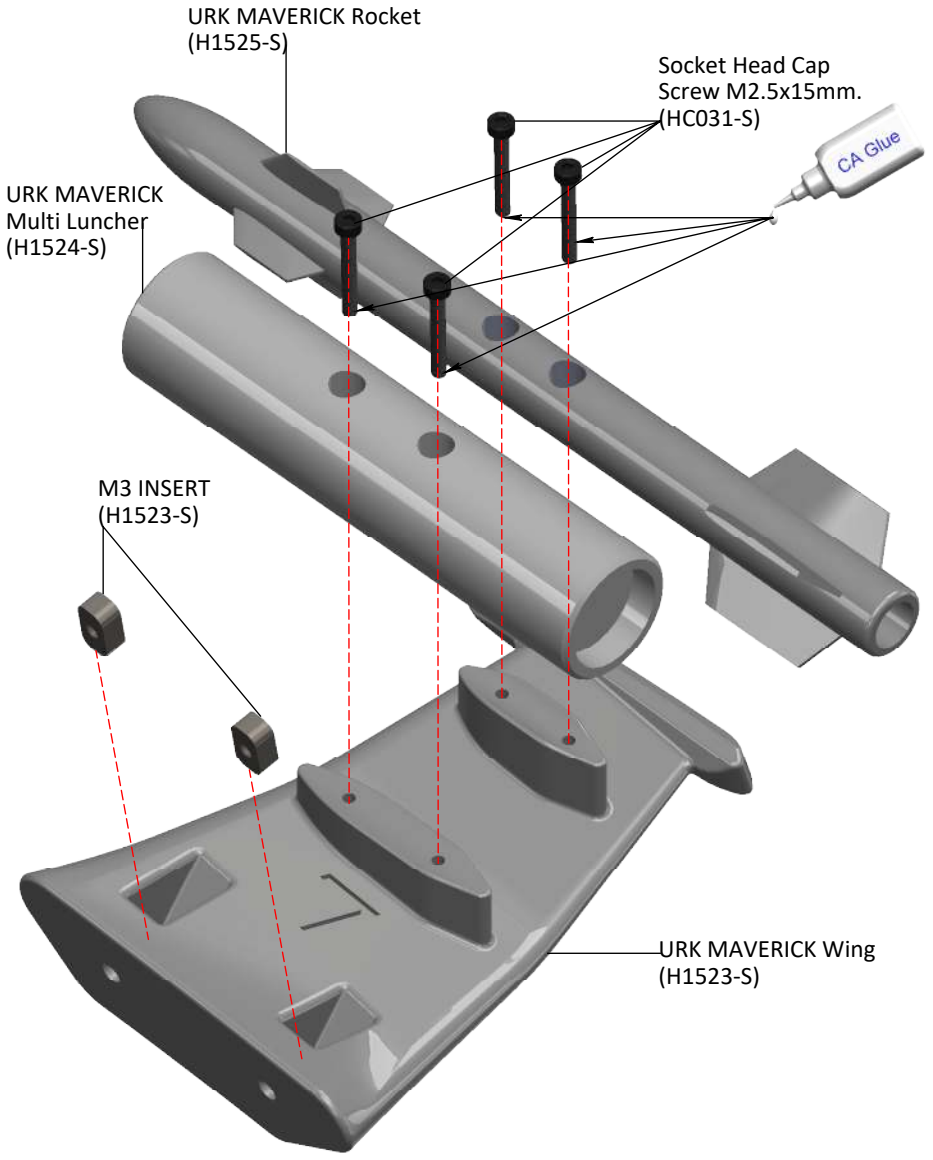


BAG 28

URUKAY MAVERICK WING RIGHT SIDE ASSEMBLY



URUKAY MAVERICK WING LEFT SIDE ASSEMBLY



URUKAY MAVERICK
Wing Right Assembly

G10 Plate
(H1523-S)

Finishing Washer M3
(H0007-S)

Socket Head Cap
Screws M3x16mm
(HC068-S)

URUKAY MAVERICK
Wing Left Assembly

DRILL HERE

● ARMAMENT #36 ●

TAIL HUB 3 BLADES (H0418-S)

- 1 x Tail Hub 3 Blades.
- 3 x Socket Head Cap Screw M3x8mm.
- 1 x Set Screw M4x6mm.
- 3 x Washer $\phi 3 \times \phi 7 \times 1$ mm.
- 3 x C Washer $\phi 5 \times \phi 7 \times 0.2$ mm.

TAIL SHAFT 3 BLADES (H0419-S)

- 1 x Tail Shaft 3 Blades.
- 1 x Set Screw M4x6mm.

PIN M2 (H0435-S)

- 3 x Pin M2.
- 3 x Spacer $\phi 2 \times \phi 3 \times 3$ mm.
- 3 x Tail Pitch Slider Link.
- 6 x Head Cap Screws M2x6mm.

TAIL SPITCH SLIDER 3 BLADES (H1294-S)

- 1 x Tail Pitch Slider Assembled.

URK F3C COMPOSITE LANDING GEAR (H0725-S)

- 1 x URK F3C Composite Landing Gear.

URK MAVERICK BOOM (H1418-S)

- 1 x Nut Block.
- 2 x Double Sided Tapes.
- 1 x Urukay Maverick Boom.
- 2 x Locking Element Tail.
- 4 x Metric Hex Nylon Nuts M3.

URK MAVERICK TAIL FIN (H1419-S)

- 1 x Urukay Maverick Tail Fin.

URK MAVERICK SX SLOW SIDE FRAME (H1420-S)

- 1 x Urukay Maverick SX Slow Side Frame.

URK MAVERICK DX SLOW SIDE FRAME (H1421-S)

- 1 x Urukay Maverick DX Slow Side Frame.

URK MAVERICK CANOPY (H1422-S)

- 1 x Urukay Maverick Canopy.
- 2 x Canopy Grommet.

URK MAVERICK MAIN SHAFT (H1432-S)

- 1 x URK Maverick Main Shaft.
- 2 x Shim $\phi 12 \times \phi 16 \times 0.1$ mm.
- 1 x Socket Head Cap Shoulder M4x21.5mm.
- 1 x Spacer $\phi 4 \times \phi 7.5 \times 0.5$ mm.

URK MAVERICK DELRIN ANTI-ROTATION (H1472-S)

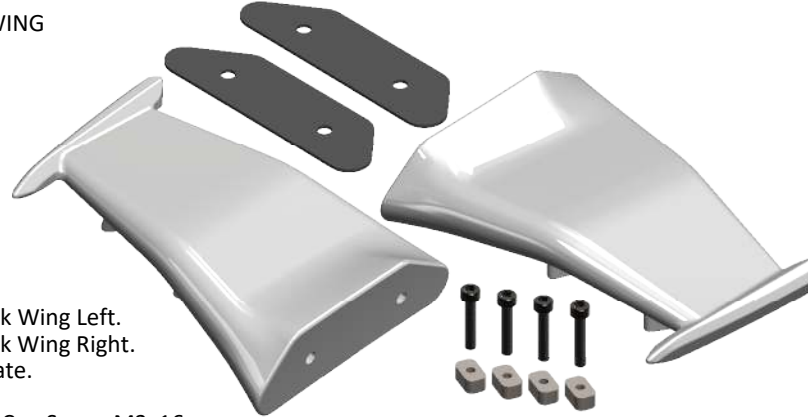
- 1 x URK Maverick Delrin Anti-Rotation.
- 3 x Head Screws M2.5x6mm.

URK MAVERICK BEARING SUPPORT
(H1479-S)



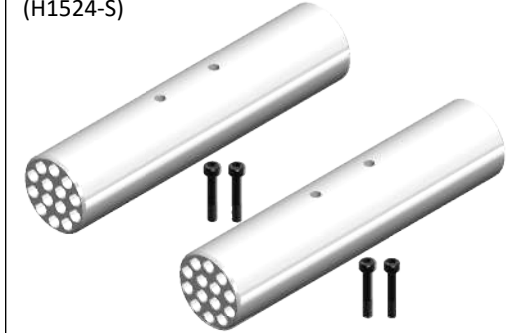
- 1 x URK Maverick Bearing Support.
- 1 x Bearing $\varnothing 12x \varnothing 28x7mm$.
- 4 x Socket Head Cap Screws M3x10mm.
- 2 x Shim $\varnothing 12x \varnothing 16x0.1mm$.

URK MAVERICK WING
(H1523-S)



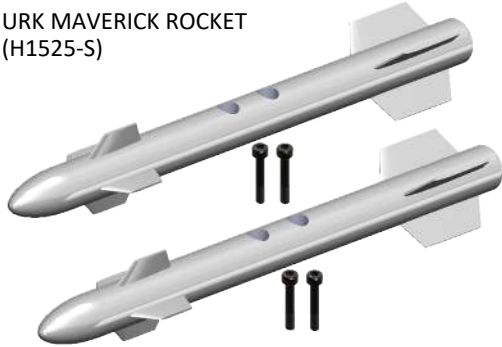
- 1 x URK Maverick Wing Left.
- 1 x URK Maverick Wing Right.
- 2 x G10 1mm Plate.
- 4 x M3 Insert.
- 4 x Socket Head Cap Screw M3x16mm.

URK MAVERICK MULTI LUNCHER
(H1524-S)



- 2 x URK Maverick Multi Launcher.
- 4 x Socket Head Cap Screw M2.5x15mm.

URK MAVERICK ROCKET
(H1525-S)



- 2 x URK Maverick Rocket.
- 4 x Socket Head Cap Screw M2.5x15mm.

TAIL BELT HTD3 2250-6mm
(HC613-S)



- 1 x Tail Belt HTD3 2250-6mm.

URK MAVERICK CARBON ROD
(HC616-S)



- 1 x Carbon Rod $\varnothing 3x \varnothing 4x820mm$
- 2 x Plastic Ball Linkage
- 2 x Thread Rod M2.5x40mm.
- 2 x Aluminum Bush.

MAIN BLADE 800mm
(MAV800)



- 2 x Main Blade 800mm.

TAIL BLADE 115mm
(MAV3115)



- 3 x Tail Blade 115mm.