



WWW.af-model.com
billxiao@af-model.com

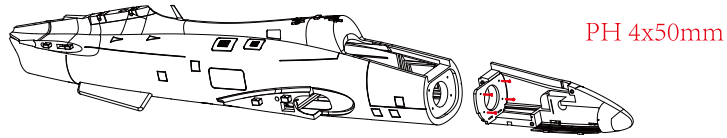


MB339

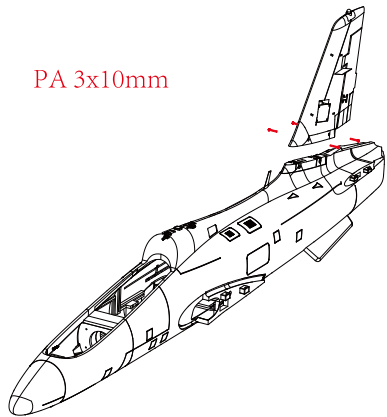
Instruction Manual

Assembly

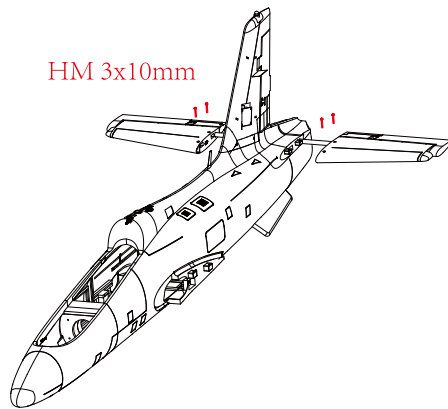
① Install the head



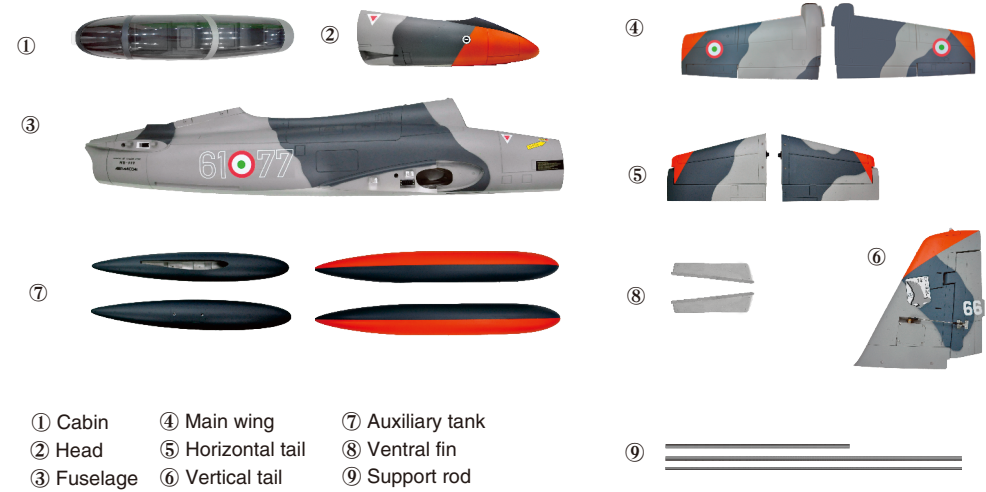
② Install vertical tail



③ Install horizontal tail

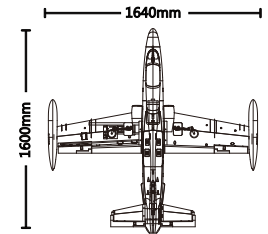


Box Contents



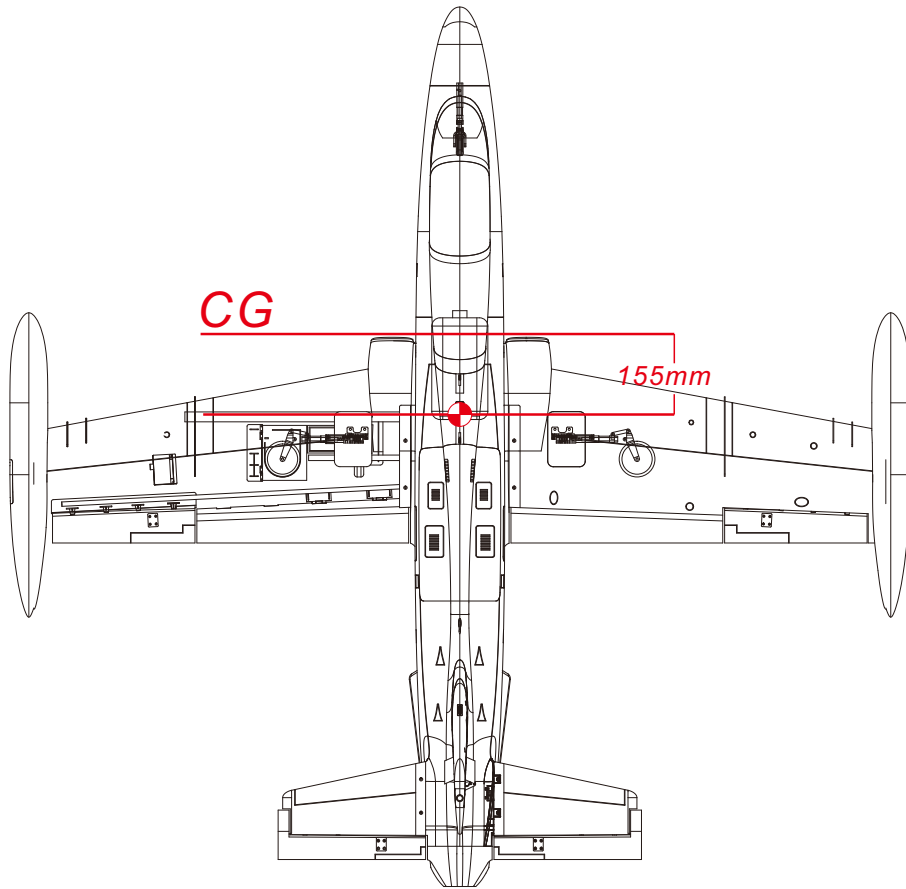
Specifications

	ACE60-6kg	PNP
	Electronic retraction 3pcs	Installed
	12g*4pcs, Digital metal servos 25g*7pcs, Digital metal servos (twin bearing)	Installed
	Main Tank(1350cc)	Installed
	Retractable all mental CNC machined rotating scale gear with E-brake wheels	Installed
	Navigation Lamp System	Installed
	3S 2200-2500mAh/30C 2pcs (sold separately)	Redquired to Complete

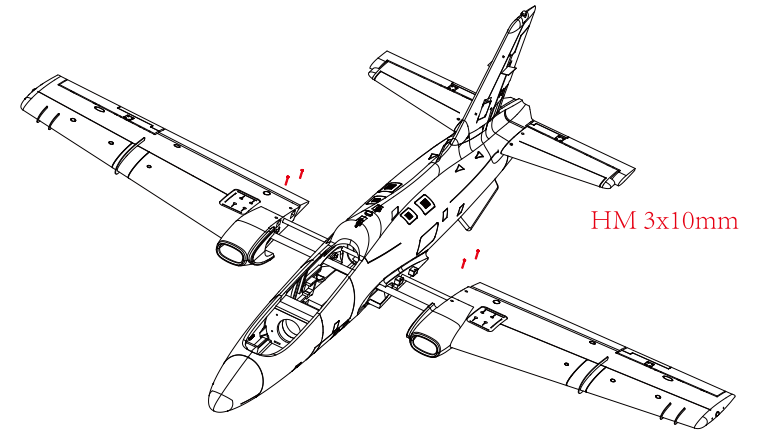


CG LOCATION

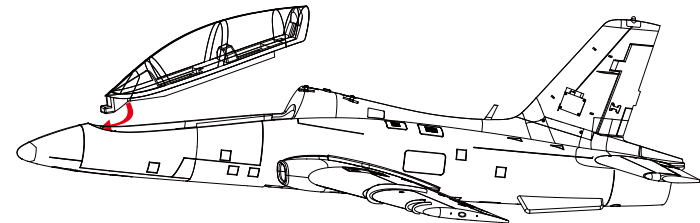
Make sure the center of gravity(CG) is as indicated in the following diagram.



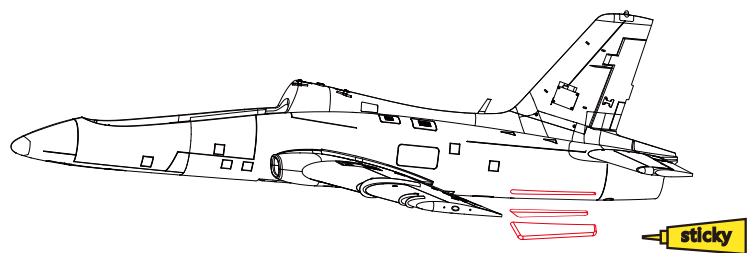
④ Install the main wing



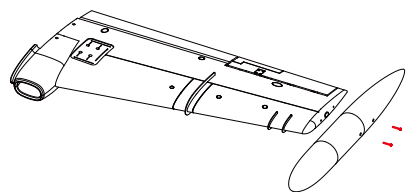
⑤ Install cockpit



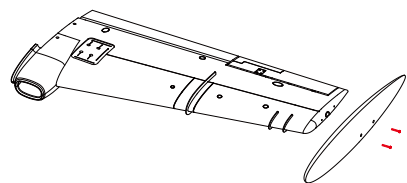
⑥ Install ventral fin



⑦ Install wingtip tank (



PA 3x50mm



PA 3x50mm

Accessories

