

# Master

## 机架安装指引 Installation Guidelines Master 5

\*Product pictures are for 3D effect reference.  
Details are in accordant with the actual products.  
\*(注: 3D效果需求, 具体以实物为准)



Speedy Bee



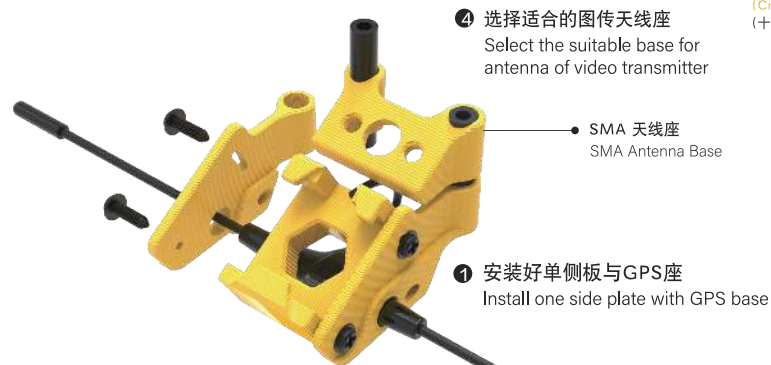
### 1 CNC Front Head and Camera Part CNC机头及摄像头侧板安装

\*Using 20mm-wide camera by default. If using 19mm-wide camera, please add 0.5mm pad between camera side plate and CNC part.

\*(注: 默认使用为20mm宽摄像头, 使用19mm摄像头时, 请在摄像头侧板与CNC件之间增加0.5mm摄像头垫片)

- 1 选择同一侧配件, 按摄像头的尺寸选择安装  
Choose accessories of the same side, install based on camera size.

### 2 Multi-functions Antenna Base 多功能天线座安装



- 1 安装好单侧板与GPS座  
Install one side plate with GPS base

- 4 选择适合的图传天线座  
Select the suitable base for antenna of video transmitter

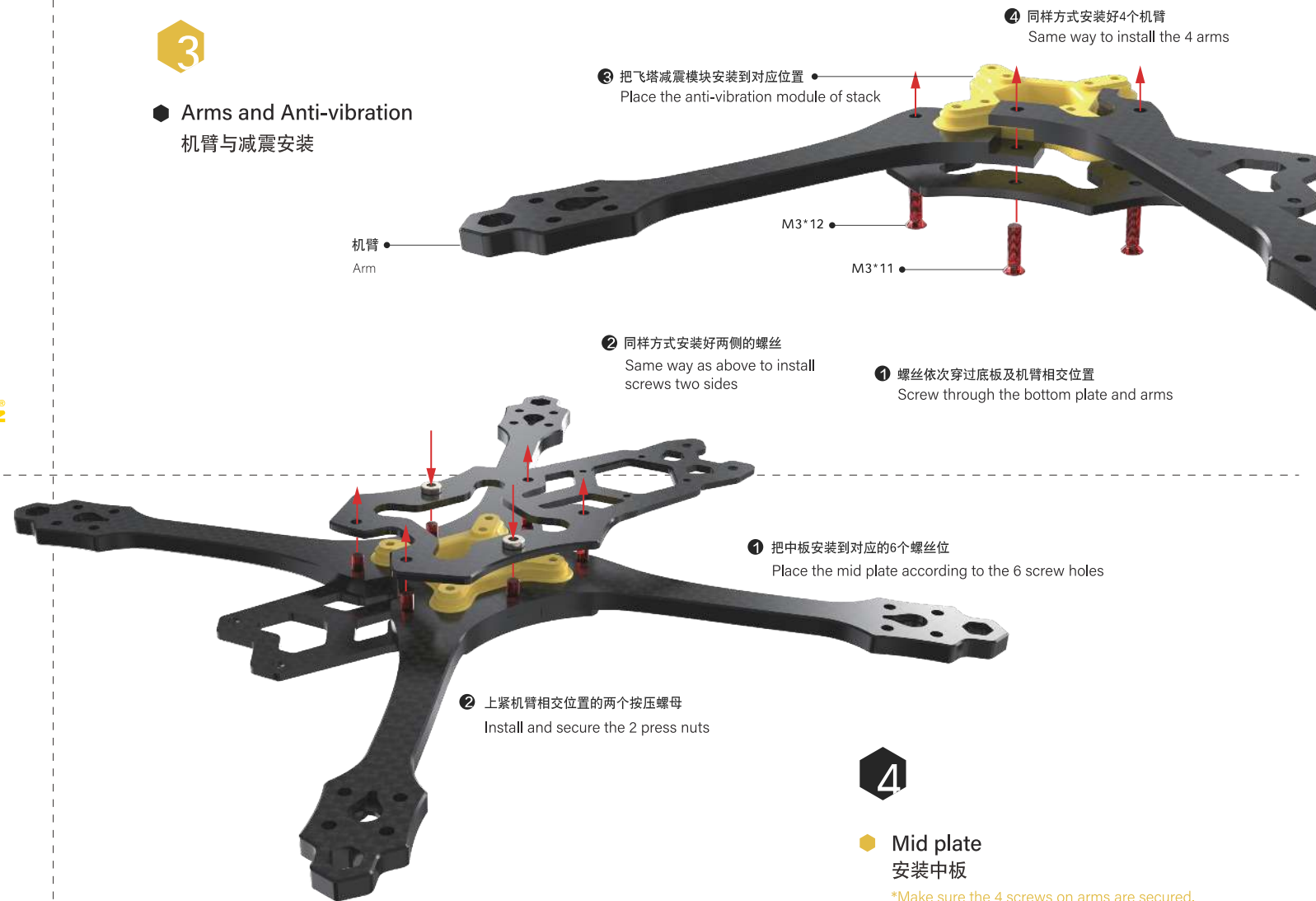
- 2 装入T型天线  
Install T antenna

- 5 安装好另一侧板  
Install the other side plate

\*(注: 装配示意图, 机架不包含天线)  
\*Picture is for reference only. Frames do not include any antenna.

### 3

### Arms and Anti-vibration 机臂与减震安装



- 1 把中板安装到对应的6个螺丝位  
Place the mid plate according to the 6 screw holes
- 2 上紧机臂相交位置的两个按压螺母  
Install and secure the 2 press nuts

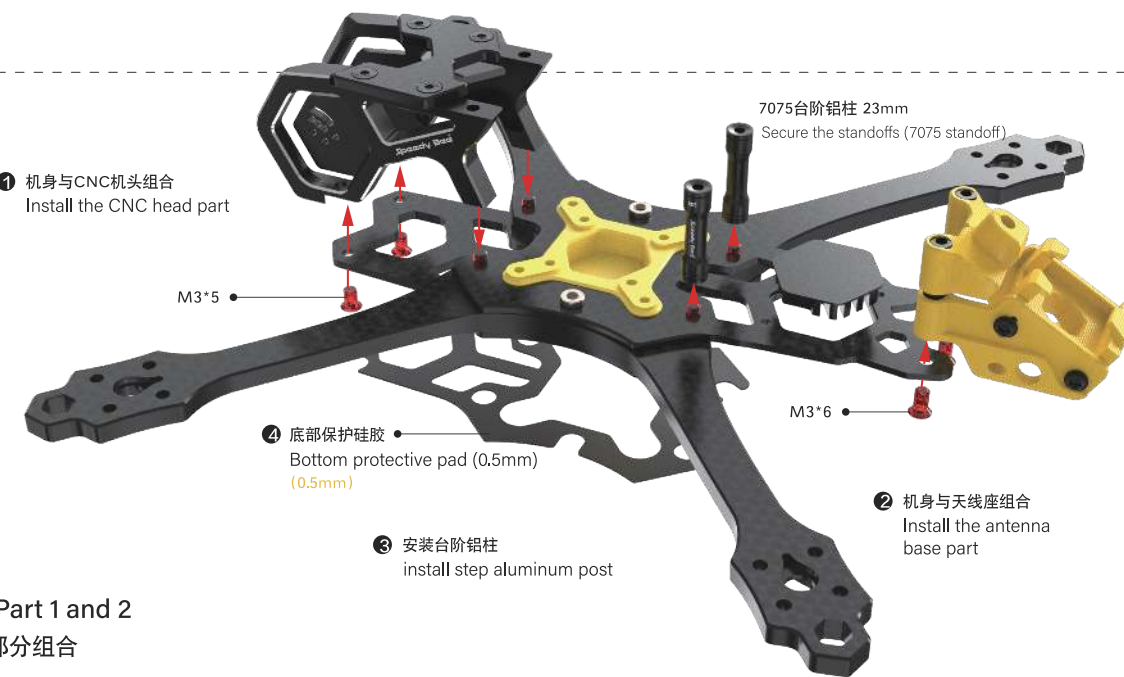
### 4

### Mid plate 安装中板

\*Make sure the 4 screws on arms are secured.  
\*注 (确保机臂上的4颗螺丝都完全上紧。)

### 5

### Combine with Part 1 and 2 与完成的1、2两部分组合



- 1 机身与CNC机头组合  
Install the CNC head part

- 4 底部保护硅胶  
Bottom protective pad (0.5mm)

- 3 安装台阶铝柱  
install step aluminum post

- 2 机身与天线座组合  
Install the antenna base part

7075台阶铝柱 23mm  
Secure the standoffs (7075 standoff)

- 3 把飞塔减震模块安装到对应位置  
Place the anti-vibration module of stack
- 2 同样方式安装好两侧的螺丝  
Same way as above to install screws two sides
- 4 同样方式安装好4个机臂  
Same way to install the 4 arms

- 1 螺丝依次穿过底板及机臂相交位置  
Screw through the bottom plate and arms

6

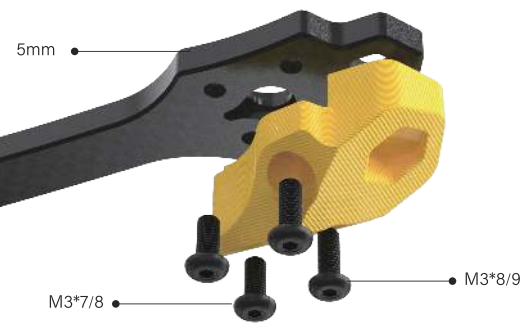
### Back top plate and battery anti-slip pad

后顶板及电池防滑胶安装



- 1 安装后顶板及电池防滑硅胶  
Install the back top plate and battery anti-slip pad at last

- 1 把3D打印保护脚架安装到机臂上  
Install the foot mount to arm



- 2 按电机螺丝固定座的高度选择适合长度的螺丝  
Use the screws of proper length based on the fixing screws for motors

7

### Foot mounts

机臂保护脚架安装方式

\*(注: 螺丝长度以电机实际为准, 3D 打印件的螺丝需加长1mm)

\*Length of screw is up to used motor, Please add 1mm to length of screws for 3D printed mount.

8

### DJI O3 Air Unit

DJI O3 Air Unit 安装方式



\*注 ( Master 5 标准款机架默认不包含DJI O3 Air Unit 安装模块, 需另行选购。 )

\*Master 5 standard frames doesn't contain the installation module for DJI O3 Air Unit, please purchase separately.

9

### Recommend installing ESC by flipping horizontally (180°)

建议电调选择水平180度反装

\*After flipping, must redefine the positions and directions of 1-4 motors.

\*注 ( 电调反装后, 切记重新定义1-4号电机的正确位置及转向。 )



建议电调电源线长为100mm左右, 实际请参考你所使用的电池。  
length of cable suggested as about 100mm. Please refer to the actual used battery

Speedy Bee®

### 请扫描二维码获取安装指南

建议您通过SpeedyBee App 扫描以获取更详细的安装指南

Scan the QR code to get the installation guide.  
We recommend you scan it through the SpeedyBee App for detailed instructions.



SpeedyBee APP



Facebook QR Code



Installation guide