

# Me-262 User Manual

**WINGSPAN : 1500MM (59")**



- The manual suit for every color scheme of Freewing Me-262 .
- The manual only choose one color scheme as an example.
- The manual is only for reference, all is according to the actual product. We can't note if any improvement or upgrade.
- 此说明书适合本公司 **Me-262** 所有涂装安装指导。
- 此说明书仅选用其中一款涂装作为范本进行安装指导。
- 说明书仅作参考,一切以实物为准。为产品改进而进行的版本升级, 不另行通知!

# Catalogue

---

- 3 Product Introduction
- 4 Sparepart List
- 5 Assemble Instruction
- 10 Motor Parameters
- 11 Battery User Instruction
- 12 Center of Gravity
- 13 Structure Diagram

- 3 产品介绍
- 4 零件清单
- 5 组装说明
- 10 电机参数
- 11 电池使用说明
- 12 飞机重心
- 13 结构分解图

Thanks very much for your purchasing our Freewing ME262 model plane. The Me 262 Schwalbe was the world's first operational jet-powered fighter aircraft. Its a symbol aircraft, it marks a human aviation technology a big step forward. Me 262-----the name itself is a legend. Some people say that it is the angel brought the dawn of human aviation industry. Some people say its put the wing of devil. But one thing is certain: as the focus of debate, Me262 has a constant charm.

This Me262 model plane use EPO material, also added a lot of carbon material to strengthen its structure. The full scale electric metal retracts can effectively solve the huge impact when landing. Complex paint technology makes this Me 262 looks very close to the real aircraft.

We use a lots of ingenious design makes this complex dual EDF jet assemble-work has become very simple. Most of Me 262 spareparts, can be easy and quick install and removal. We also provide sparepart support, you are very easy to maintain your Me 262 in future flight.

**The following is our basic specification.**

Specification	
Material	EPO
Wingspan	1500mm (59")
Fuselage Length	1280mm (50-3/8")
Flight Weight	2900g (102.29 oz.)
Thrust	2850g (100.6 oz.)
Motor Size	2849-2200KV 2pcs
Prop Size	70mm EDF 2pcs (1pcs normal, 1pcs reverse)
Recommended Battery	6S 22.2V 3700mAh 30C
ESC	50A ESC (2pcs)
Servos	4pcs 9g servo ; 4pcs 17g servo
Retracts	Metal Scale Electric Retract
Landing gear cabin door control	YES
Aileron	YES
Elevator	YES
Rudder	YES
Throttle	YES
Flaps	YES
Vector control	NO

At the same time, for each version, we provide two kinds of configuration options ( ARF, Airframe ), please according the following pictures to check the products and their accessories.



## Accessory Bag Content List

### ARF Version

#### Parts bag 1

No.	Name	Specification	Qty.
1	Screw	PA 4*15mm	4
2	Screw	PA 3*18mm	3
3	Screw	PWA 3*8mm	2
4	Screw	PT 1.7*14mm	2

#### Parts bag 2

No.	Name	Specification	Qty.
1	Banana Connector (Female)	Ø5.5mm	2
2	Casing	Ø8mm L=27mm	2

#### Parts bag 3

No.	Name	Specification	Qty.
1	One to Three wire	L=150mm	1
2	Y wire	L=100mm	3
3	ESC Connector	Red	1
4	ESC Connector	Black	1
5	Elevator Servo Metal Wire	Ø1.5mm L=85mm	1
6	Chuck	Ø1.2mm	3
7	Chuck	Ø1.5mm	1
8	Screw Driver Handle	/	1
9	Screw Driver Head	/	1
10	Spare parts bag	Spare parts bag 1 Spare parts bag 2	1

### ARF And Airframe Version

#### Parts bag 1

No.	Name	Specification	Qty.
1	Main Wing Fixing Part (Front)	/	1
2	Main Wing Fixing Part (Rear)	/	1
3	Rudder Fixing Part	/	1

#### Parts bag 2

No.	Name	Specification	Qty.
1	Carbon Tube	Ø10mm L=250mm	1
2	Carbon Tube	Ø10mm L=350mm	1

#### Parts bag 6

No.	Name	Specification	Qty.
1	70mm EDF cover	/	1
2	70mm EDF blade	Reverse	1
3	70mm EDF Diversion Circle	/	1
4	70mm EDF spinner	/	1
5	Spare Parts Bag	<b>Parts bag 4</b>	1

### Airframe Version

#### Parts bag 1

No.	Name	Specification	Qty.
1	Screw	PA 4*15mm	4
2	Screw	PA 3*18mm	3
3	Screw	PWA 3*8mm	2
4	Screw	PWA 3*12mm	8
5	Screw	PT 1.7*14mm	2

#### Parts bag 2

No.	Name	Specification	Qty.
1	Banana Connector (Female)	Ø5.5mm	2
2	Casing	Ø8mm L=27mm	2

#### Parts bag 3

No.	Name	Specification	Qty.
1	One to Three wire	L=150mm	1
2	Y wire	L=100mm	4
3	ESC Connector	Red	1
4	ESC Connector	Black	1
5	Elevator Servo Metal Wire	Ø1.5mm L=85mm	1
6	Main Wing Servo Metal Wire	Ø1.2mm L=49mm	4
7	Chuck	Ø1.2mm	3
8	Chuck	Ø1.5mm	1
9	Screw Driver Handle	/	1
10	Screw Driver Head	/	1
11	Spare parts bag	Spare parts bag 1 Spare parts bag 2	1

#### Parts bag 4

No.	Name	Specification	Qty.
1	70mm EDF Motor Chuck	/	1
2	Motor Chuck Fixing Part	/	1
3	70mm EDF spacer	/	1
4	70mm EDF Nut	/	1
5	Screw	PWM 3*6mm	5

#### Parts bag 5

No.	Name	Specification	Qty.
1	70mm EDF cover	/	1
2	70mm EDF blade	Normal	1
3	70mm EDF Diversion Circle	/	1
4	70mm EDF spinner	/	1
5	Spare Parts Bag	<b>Parts bag 4</b>	1



欢迎您购买我们的ME262模型飞机。Me262——第一种投入实战的喷气式飞机；一架标志着人类航空技术向前迈进一大步的飞机……Me262——这个名字本身就是一个传奇：有人说它是为人类航空事业带来曙光的天使；有人却说它是插上了翅膀的魔鬼，但有一点是肯定的：作为争论的焦点，Me262有着恒久不变的魅力。

这款ME262模型飞机采用EPO材料制作，大量使用的碳纤材料，极大的保证了飞机的结构强度；全仿真电动收放五金起落架，可以有效地解决飞机在降落时巨大冲击力；运用复杂的喷涂工艺，让这款ME262模型飞机看起来非常贴近真实的飞机。

我们运用各种精巧的设计，使得这款复杂的双涵道飞机组装工作变得非常简便。这款ME262的大部份零件，都可以方便、快捷的安装和拆卸。我们同时提供完善的配件支持，让您在未来的使用过程中，轻松地保养您的ME262!

以下是飞机的基本参数:

基本参数	
Material	EPO
Wingspan	1500mm (59")
Fuselage Length	1280mm (50-3/8")
Flight Weight	2900g (102.29 oz.)
Thrust	2850g (100.6 oz.)
Motor Size	2849-2200KV 2pcs
Prop Size	70mm EDF 2pcs (1pcs normal, 1pcs reverse)
Recommended Battery	6S 22.2V 3700mAh 30C
ESC	50A ESC (2pcs)
Servos	4pcs 9g servo ; 4pcs 17g servo
Retracts	Metal Scale Electric Retract
Landing gear cabin door control	YES
Aileron	YES
Elevator	YES
Rudder	YES
Throttle	YES
Flaps	YES
Vector control	NO

同时，针对每个版本，我们都提供二种配置以供选择（空机附动力系统，空机），请根据配置清单，参考下列图片来核对产品及附件。



## 零件包清单表

空机附加动力版本

### 零件包 1

序号	产品名称	规格参数	数量
1	螺丝	PA 4*15mm	4
2	螺丝	PA 3*18mm	3
3	螺丝	PWA 3*8mm	2
4	螺丝	PT 1.7*14mm	2

### 零件包 2

序号	产品名称	规格参数	数量
1	香蕉母头	Ø5.5mm	2
2	套管	Ø8mm L=27mm	2

### 零件包 3

序号	产品名称	规格参数	数量
1	1对3线	L=150mm	1
2	Y线	L=100mm	3
3	电调延长线	红色	1
4	电调延长线	黑色	1
5	平尾舵机钢丝	Ø1.5mm L=85mm	1
6	夹头	Ø1.2mm	3
7	夹头	Ø1.5mm	1
8	螺丝刀柄	/	1
9	螺丝刀头	/	1
10	零件包	零件包 1;零件包 2	1

通用零件包

### 零件包 1

序号	产品名称	规格参数	数量
1	主翼固定塑料件(前)	/	1
2	主翼固定塑料件(后)	/	1
3	尾翼固定塑料件	/	1

### 零件包 2

序号	产品名称	规格参数	数量
1	碳纤管	Ø10mm L=250mm	1
2	碳纤管	Ø10mm L=350mm	1

### 零件包 6

序号	产品名称	规格参数	数量
1	70mm涵道唇口	/	1
2	70mm涵道桨叶	反向	1
3	70mm涵道主架	/	1
4	70mm涵道桨罩	/	1
5	零件包	零件包 4	1

空机版本

### 零件包 1

序号	产品名称	规格参数	数量
1	螺丝	PA 4*15mm	4
2	螺丝	PA 3*18mm	3
3	螺丝	PWA 3*8mm	2
4	螺丝	PWA 3*12mm	8
5	螺丝	PT 1.7*14mm	2

### 零件包 2

序号	产品名称	规格参数	数量
1	香蕉母头	Ø5.5mm	2
2	套管	Ø8mm L=27mm	2

### 零件包 3

序号	产品名称	规格参数	数量
1	1对3线	L=150mm	1
2	Y线	L=100mm	4
3	电调延长线	Red	1
4	电调延长线	Black	1
5	平尾舵机钢丝	Ø1.5mm L=85mm	1
6	主翼舵机钢丝	Ø1.2mm L=49mm	4
7	夹头	Ø1.2mm	3
8	夹头	Ø1.5mm	1
9	螺丝刀柄	/	1
10	螺丝刀头	/	1
11	零件包	零件包 1;零件包 2	1

### 零件包 4

序号	产品名称	规格参数	数量
1	70涵道电机夹头	/	1
2	70涵道电机夹头固定座	/	1
3	垫片	/	1
4	螺母	/	1
5	螺丝	PWM 3*6mm	5

### 零件包 5

序号	产品名称	规格参数	数量
1	70mm涵道唇口	/	1
2	70mm涵道桨叶	正向	1
3	70mm涵道主架	/	1
4	70mm涵道桨罩	/	1
5	零件包	零件包 4	1

# Install

## Note:

1. When install, please read the manual carefully. if you have any questions, kindly contact with your distributor, or contact us on [freewing@sz-freewing.com](mailto:freewing@sz-freewing.com)
2. The manual was based on ARF version as a reference
3. **Before install, please refer to P13, check correctly the screw position.**

## 组装部份

### 提示:

1. 组装过程中, 请仔细对照说明书, 如有任何疑问, 可以联系您购买产品的经销商, 或者联系我们公司邮箱 [freewing@sz-freewing.com](mailto:freewing@sz-freewing.com) 来寻求帮助。
2. 本说明书是以ARF作为参考制作。
3. 组装过程中, 请参考P13页面, 查看螺丝正确的应用位置。

First, prepare spareparts as the right photo shown, install main wing.

- The left, right main wing
- Main wing fix plastic pieces(2pcs).
- Screws PA4\*15(4PCS), Y-wire(4pcs). Motor extend wire(2pcs)
- Carbon rod

首先, 如右图所示, 准备以下配件, 安装主翼:

- 左、右主翼;
- 主翼固定塑料件(前)、主翼固定塑料件(后)
- 螺丝 PA4\*15 (4PCS); Y线 (4pcs); 电调延长线(2pcs)
- 碳纤维管



Remove the left and right main wing ESC position plastic intake gate.

拆下左右主翼电调位置塑料进气栅;



Sort out all kinds connect wire.

如右图所示, 整理好各种连接线;



Connect Y-wire and ESC extend wire.

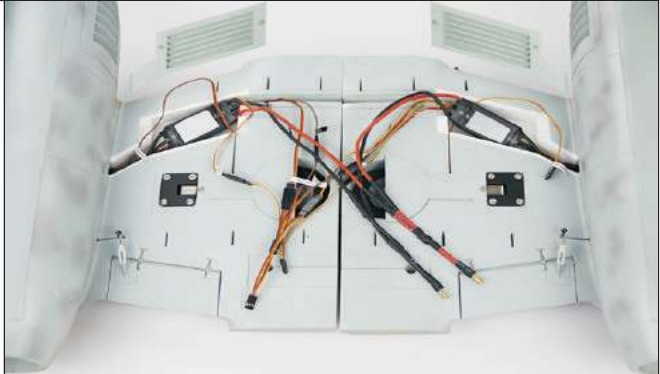
The left aileron  
The right aileron




The left flap  
The right flap

ESC signal wire(left)  
ESC signal wire(right)

The left main wing ESC input(red"+")  
The right main wing ESC input(red"+")

The left main wing ESC input(black"-")  
The right main wing ESC input(black"-")

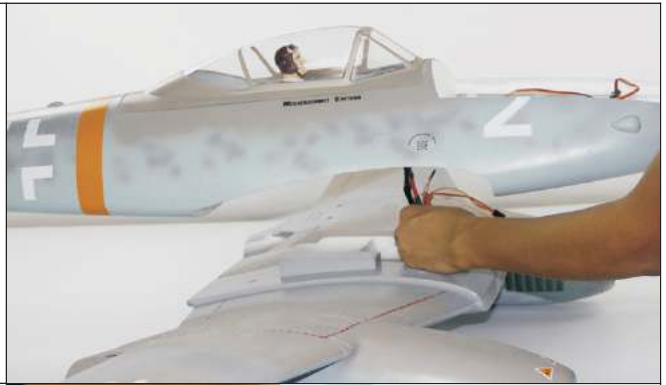


<p>连接好Y线和电调延长线；</p> <p>左主翼副翼 右主翼副翼</p> <p>左襟翼 右襟翼</p> <p>电调信号线（左） 电调信号线（右）</p> <p>左主翼电调输入端（红”+”） 右主翼电调输入端（红”+”）</p> <p>左主翼电调输入端（黑”-”） 右主翼电调输入端（黑”-”）</p>	
<p>Use the carbon rod connect the left, right main wing.</p> <p>用碳纤管连接左、右二端主翼；</p>	
<p>As the right photo shown, piece the left, right main wing, sort out connect wire.</p> <p>如右图所示：拼合左、右主翼，整理好连接线；</p>	
<p>Insert main wing fixing plastic pieces, turn the main wing, make it upward.</p> <p>扣入主翼固定塑料件。翻转主翼，使主翼正面向上。</p>	
<p>As the right photo shown, Connect the left, right electric landing gear.</p> <p>连接左、右电动起落架；如右图所示。</p>	



Insert the main wing into the fuselage, at the same time, sort out the connect wire.

将主翼安装至机身，同时整理好连接线；



Fix the main wing by screws.

用螺丝固定主翼。



Connect nose landing gear.

连接前起落架；



As the right photo shown, connect the landing gear extend wire input and landing gear controller.



将起落架延长线输入端与起落架控制板相连。如右图所示。



As the right photo shown, prepare spareparts, install tail wing set.

如右图所示，准备好以下配件，安装尾翼套件。



<p>First ,Insert one side elevator carbon rod into rudder. Then, insert the other elevator.</p> <p>首先，把其中一端碳纤管外露的平尾插入到垂直尾翼。随后，插入另一端平尾；</p>	
<p>Finally, screw fixing the left, right elevator.</p> <p>最后，用螺丝固定左、右平尾。</p>	
<p>Insert the bending wire into the rudder servo arm hole,insert the other side plastic clip into elevator servo arm.</p> <p>钢丝折弯一端穿入安装在垂尾内的舵机摇臂圆孔内。另一端的塑料夹头扣入平尾舵面摇臂。</p>	
<p>Connect elevator servo wire, Remove the rear fuselage tape that fixing internal extend wire</p> <p>连接平尾舵机线。撕掉机身尾部固定内置延长线的胶纸。</p>	
<p>Install tail wing set.</p> <p>安装尾翼套件；</p>	

Insert the tail wing fixing plastic pieces.

扣入尾翼固定塑料件。



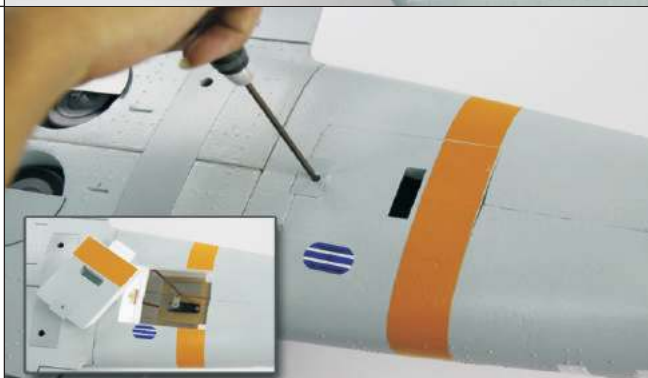
Separately lock three screws fixing the tail wing set.

分别用三颗螺丝固定尾翼套件。



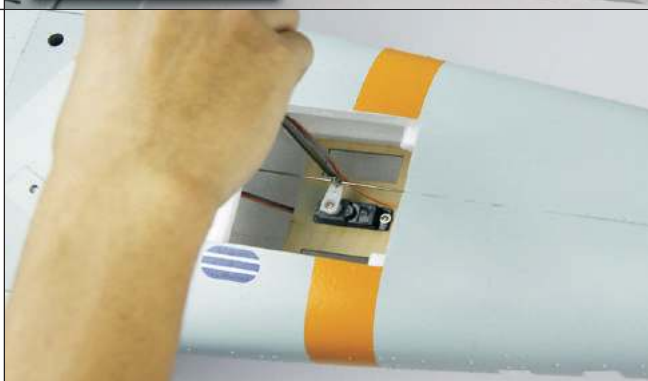
Remove the fuselage belly servo hatch.

拆卸机腹舵机舱盖；



Loosen rudder controller wire fixing screw.

松开垂直尾翼控制钢丝固定螺丝。



Finally ,lock rudder controller wire fixing screws by tightly, install fuselage belly hatch. Pull out the rudder controller wire from rear fuselage, screw plastic clips ,insert it into the rudder servo arm.

从机身尾部拉出垂直尾翼控制钢丝，旋入塑料夹头。最后扣入垂直尾翼舵面摇臂内。最后拧紧垂尾控制钢丝固定螺丝，安装好机腹舵机舱盖。



Remove the hatch, connect each channel into receiver, power on the radio, connect the saturation battery, start trim the plane.  
**Attention: please according your radio manual, properly each channel.**

取下电子设备舱盖；将各通道连接到接收机、打开发射机、连接已经充电饱和的电池，开始调试飞机。  
**注意：请根据您持有的遥控设备说明书，正确连接各个通道。**



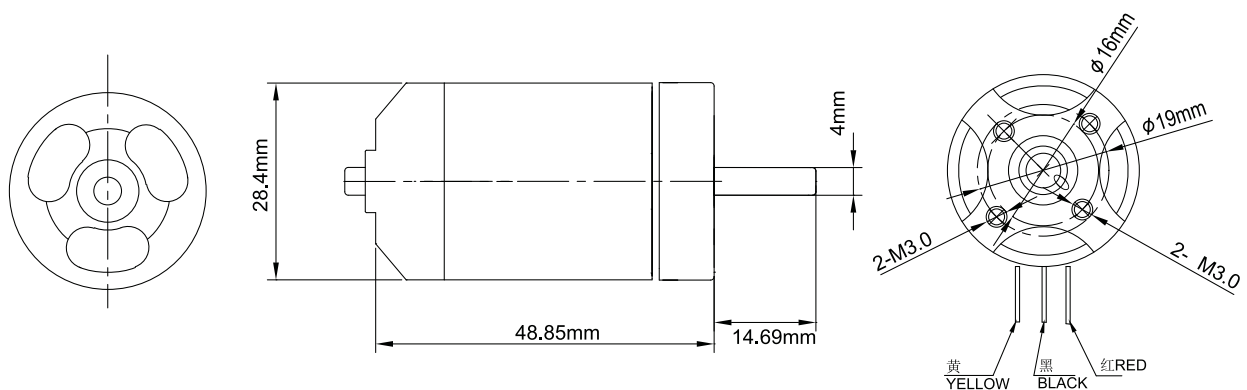
1. Trim every servo arm is in center.
2. Confirm flap is in normal operation.
3. Confirm retracts work normally, nose landing gear door work normally.
4. Confirm nose wheel is in center.
5. Confirm all plastic chucks fix tightly.



1. 调整各个舵面到居中状态；
2. 确认襟翼处于正常工作状态；
3. 确认起落架可以正常收、放。前起落架舱门正确开、合；
4. 确认前机轮处于居中状态；
5. 确认所有塑料夹头均已扣紧；



## Motor Parameters 电机参数



Model	KV Value	Volate (V)	Current (A)	Pull (g)	Resistance (Ω)	Weight (g)	No Load Current	Propeller	ESC
2849-2200	2200RPM/V	22.2	43	1850	0.027	115	1.6A/11.1V	70mm Ducted Fan	60A

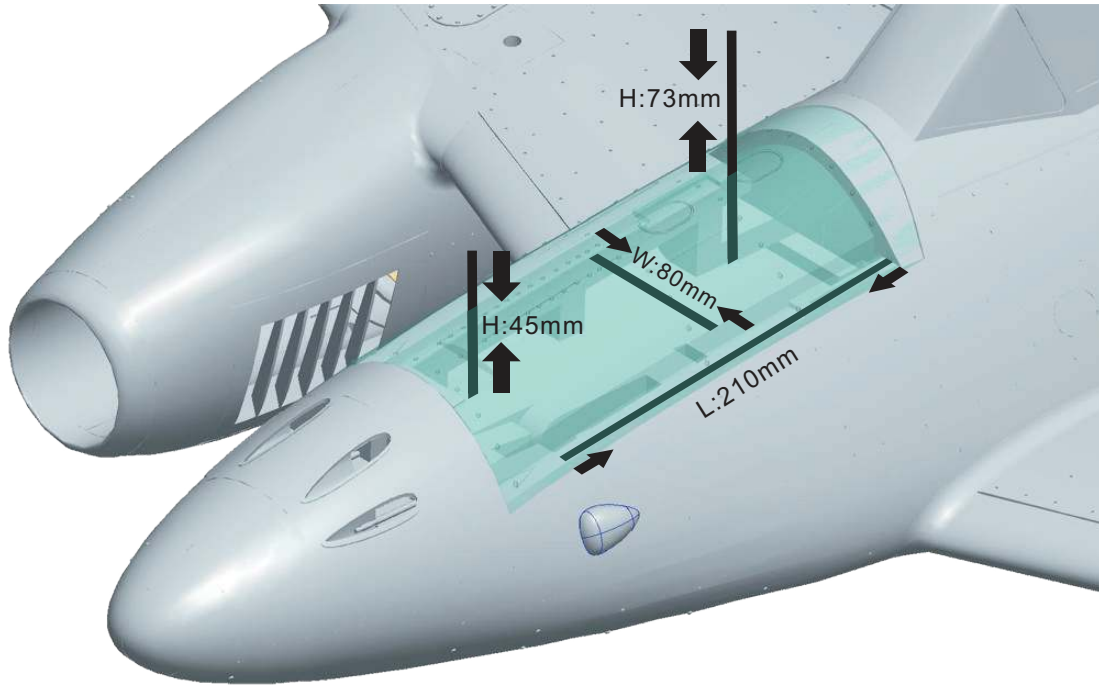


## 电池的使用

我们在测试飞行时使用的是Fullymax 6S 3700mAh 35C电池。可以全油门飞行3分钟。所以，我们建议您使用6S 3700mAh 30C以上容量的电池来飞行。当选用不同规格的电池时，重心可能会改变。您可以通过向前\向后移动电池，达到配平重心的目的。

### Use Battery

We use Fullymax 6S 3700mAh 35C battery to test, fly 3 minutes if full rate, so, we advise to use 6S 3700mAh 30C battery to fly. when use different size battery, the CG maybe change, you can through move battery to reach the correct CG.



## Preflight

After check everything before flight, as a beginner, we should pay attention of following issues, to make sure our flight is successful.

1. When use radio set, make sure switch on the transmitter power firstly, then power on the receiver.
2. Before flight, under power on condition, push up and down the throttle and check the motor/ESC work well.
3. Before flight, check well the plane's center of gravity. Correct CG is the key factor of successful flight. Please refer to P12 to check the center of gravity.
4. No matter take-off on the road or hand launch, we must upwind to take off.
5. After take off, if any unusual flight or hard to control, we should pull high the plane, then trim to adjust according to the actual situation to maintain it level flight.
6. When the transmitter alarm, you must end your flight as soon as possible and operate to its landing, to avoid the radio will be out of control since of low voltage.
7. If any damage in flight, please purchase the spareparts from your distributor or refer to [www.sz-freewing.com](http://www.sz-freewing.com) to check.

## 飞行注意事项

在完成飞行前的检查之后，对于我们初学者，我们应该在飞行前及飞行中注意下面一些问题。这样，会使我们的飞行更加成功。

- 1、在正常使用摇控设备时，必须保证先打开发射机电源，然后再将接收机通电。
- 2、在飞行前，通电状态下，应反复上、下推动油门，检验马达与电子调速器的工作状态是否良好。
- 3、飞行前，必须确认飞机的重心位置。正确的重心位置是获得成功飞行关键因素。请参考P12来确认飞机的重心位置。
- 4、不管是选择滑跑起飞或者是手掷起飞，我们都应该迎风起飞。
- 5、飞机起飞后，发现飞行姿态有异常或难以控制时，我们应当尽量拉高飞机，然后根据飞机的实际情况，调整飞机的微调开关。使飞机可以保持平飞。
- 6、当发射机发出报警音后，应尽快结束飞行，操纵模型飞机着陆，避免低电压造成摇控设备失控。
- 7、在飞行过程中，如发生损坏，请联系您的模型商购买配件。请参考我们的网站：[www.sz-freewing.com](http://www.sz-freewing.com)查询。

## 重心

正确的重心，对于我们在首次飞行时非常重要的。请参考下面的重心标示图，来确认您的Me-262的重心位置是否正确。

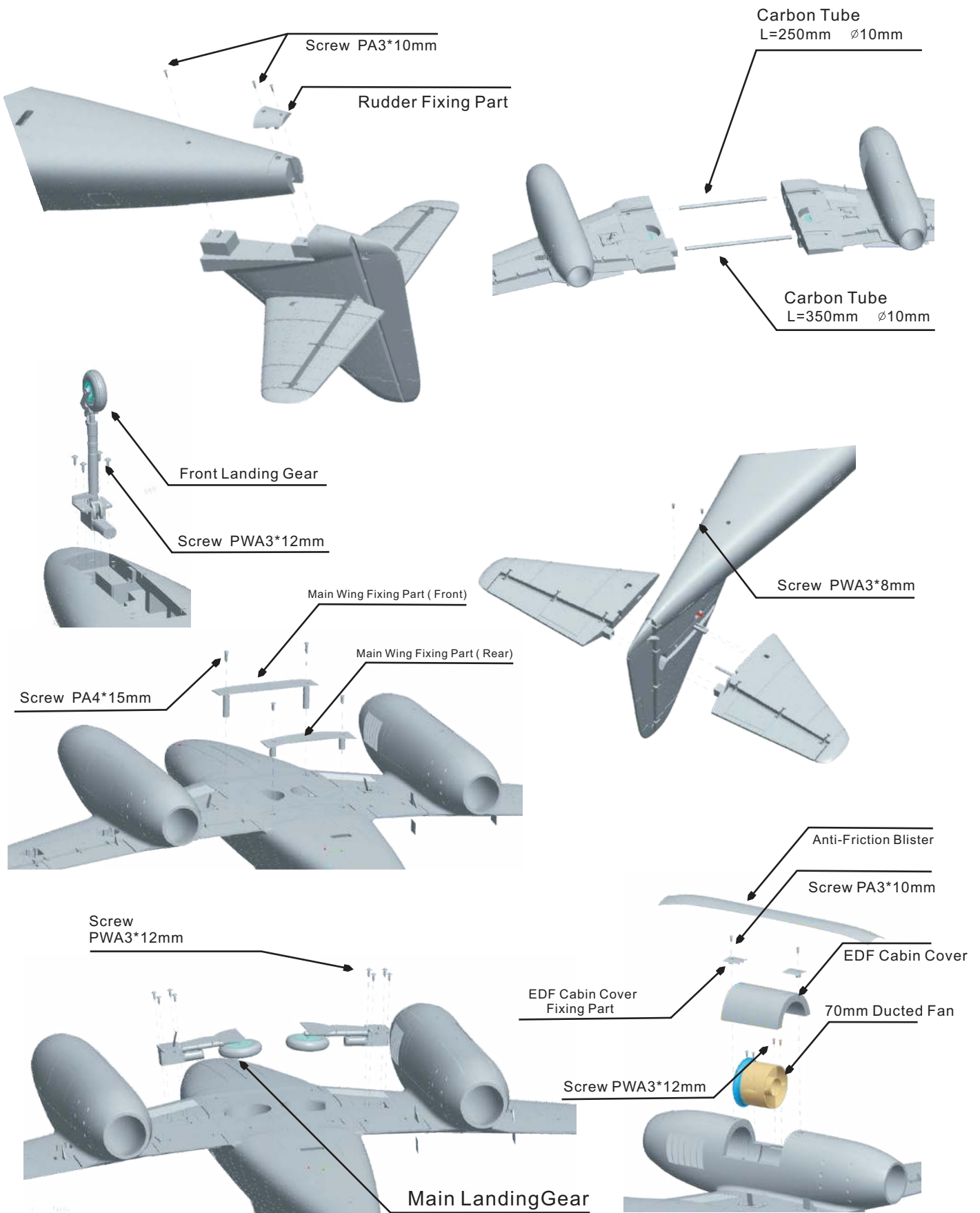
## Center of Gravity

The correct CG is very important for our first flight .check your Me-262 CG as follow picture.



# Me-262 Structure Diagram

## Me-262结构分解图





Have Fun!  
We hope that you have many pleasant  
flights with your Me-262 !



**Shenzhen Freewing Model Co.,Ltd**  
**HK Freewing Model International Limited**

Add.:FeiYi Building,face to Labor Bureau, Fumin Middle Road, Dalang Town,  
Dongguan City , Guangdong Province, China  
Web: <http://www.sz-freewing.com>  
Email:[freewing@sz-freewing.com](mailto:freewing@sz-freewing.com)  
Tel: 86-769-82669669 Fax:86-769-82033233