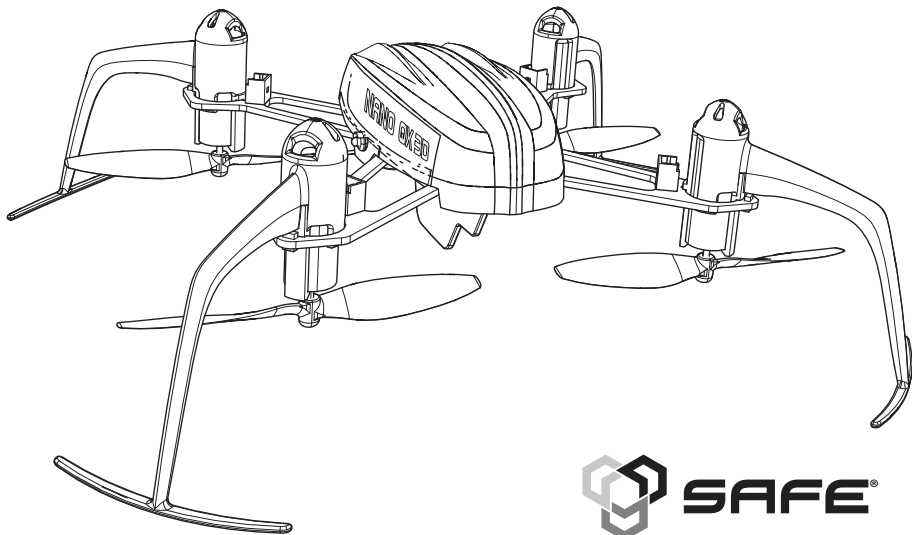


BLADE[®]

#1 BY DESIGN

NANO QX 3D



SAFE[®]



RTF
READY-TO-FLY

NOTICE

All instructions, warranties and other collateral documents are subject to change at the sole discretion of Horizon Hobby, LLC. For up-to-date product literature, visit horizonhobby.com and click on the support tab for this product.


Meaning of Special Language

The following terms are used throughout the product literature to indicate various levels of potential harm when operating this product:

NOTICE: Procedures, which if not properly followed, create a possibility of physical property damage AND a little or no possibility of injury.

CAUTION: Procedures, which if not properly followed, create the probability of physical property damage AND a possibility of serious injury.

WARNING: Procedures, which if not properly followed, create the probability of property damage, collateral damage, and serious injury OR create a high probability of superficial injury.

 **WARNING:** Read the ENTIRE instruction manual to become familiar with the features of the product before operating. Failure to operate the product correctly can result in damage to the product, personal property and cause serious injury.

This is a sophisticated hobby product. It must be operated with caution and common sense and requires some basic mechanical ability. Failure to operate this Product in a safe and responsible manner could result in injury or damage to the product or other property. This product is not intended for use by children without direct adult supervision. Do not use with incompatible components or alter this product in any way outside of the instructions provided by Horizon Hobby, LLC. This manual contains instructions for safety, operation and maintenance. It is essential to read and follow all the instructions and warnings in the manual, prior to assembly, setup or use, in order to operate correctly and avoid damage or serious injury.

Age Recommendation: Not for children under 14 years. This is not a toy.

Safety Precautions and Warnings

- Always keep a safe distance in all directions around your model to avoid collisions or injury. This model is controlled by a radio signal subject to interference from many sources outside your control. Interference can cause momentary loss of control.
- Always operate your model in open spaces away from full-size vehicles, traffic and people.
- Always carefully follow the directions and warnings for this and any optional support equipment (chargers, rechargeable battery packs, etc.).
- Always keep all chemicals, small parts and anything electrical out of the reach of children.
- Always avoid water exposure to all equipment not specifically designed and protected for this purpose. Moisture causes damage to electronics.
- Never place any portion of the model in your mouth as it could cause serious injury or even death.
- Never operate your model with low transmitter batteries.
- Always keep aircraft in sight and under control.
- Always move the throttle fully down at rotor strike.
- Always use fully charged batteries.
- Always keep transmitter powered on while aircraft is powered.
- Always remove batteries before disassembly
- Always keep moving parts clean.
- Always keep parts dry.
- Always let parts cool after use before touching.
- Always remove batteries after use.
- Never operate aircraft with damaged wiring.
- Never touch moving parts.

Table of Contents

Blade Nano QX 3D Specifications.....	4	Flight Mode Selection (BNF).....	11
Blade Nano QX 3D Components.....	4	Transmitter Setup Table.....	12
Blade Nano QX 3D Box Contents.....	4	LED Codes.....	13
First Flight Preparation.....	5	Understanding the Primary Flight Controls.....	14
Flying Checklist.....	5	Flying the Nano QX 3D.....	15
Charging Warnings.....	5	Post Flight Inspection and Maintenance.....	15
Battery Charging.....	5	Exploded View.....	16
Installing the Transmitter Batteries (RTF).....	6	Parts Listings.....	17
Installing the Flight Battery.....	7	Troubleshooting Guide.....	18
Transmitter and Receiver Binding.....	8	Limited Warranty.....	20
SAFE™ Technology.....	9	Warranty and Service Contact Information.....	22
Transmitter Controls.....	10	FCC Information.....	22
SAFE Technology Flight Mode (RTF).....	11	Compliance Information for the European Union.....	23

Blade Nano QX 3D Specifications

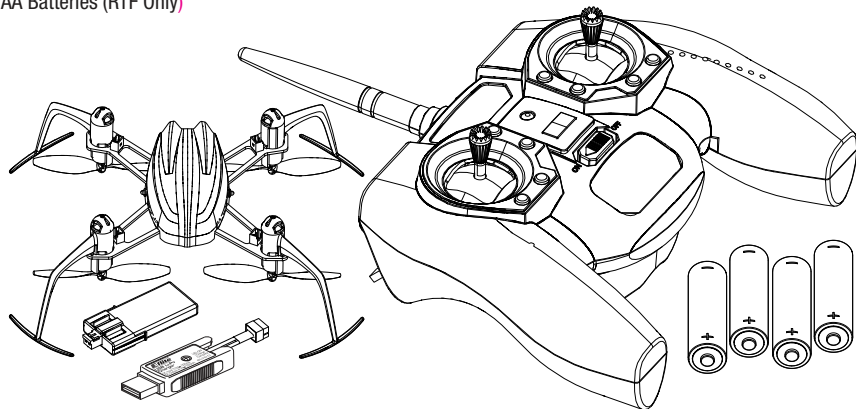
Length	5.12 in (130mm)	Flying Weight	1.00 oz (27 g)
Height	1.65 in (42mm)	<i>To register your product online, visit www.bladehelis.com</i>	

Blade Nano QX 3D Components

	BNF	RTF
Airframe – Blade Nano QX 3D	Included	Included
Motors – 6mm Brushed	Installed	Included
On-board Electronics – 4-in-1 mixer/ESCs/Gyro	Installed	Included
Battery – 200mAh 1S 3.7V 30C Li-Po	Included	Included
Charger – 1S USB Li-Po Charger, 500 mAh	Included	Included
Transmitter – MLP6DSM SAFE® Transmitter	Required	Included

Box Contents

- Blade® Nano QX 3D
- 200mAh 1S 3.7V 30C Li-Po Battery
- 1S USB Li-Po Charger, 500 mAh
- MLP6DSM SAFE Transmitter (RTF Only)
- 4 AA Batteries (RTF Only)



First Flight Preparation

- Remove and inspect contents
- Begin charging the flight battery
- Install the flight battery in the quadcopter (once it has been fully charged)
- Program your computer transmitter
- Bind your transmitter
- Familiarize yourself with the controls
- Find a suitable area for flying

Charging Warnings

The Battery Charger (EFLC1013) included with your quadcopter has been designed to safely charge the Li-Po battery.

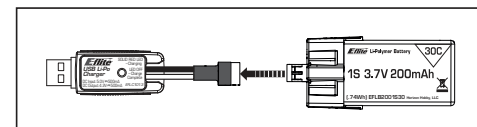


CAUTION: All instructions and warnings must be followed exactly. Mishandling of Li-Po batteries can result in a fire, personal injury and/or property damage

- **Never leave charging batteries unattended.**
- **Never charge batteries overnight.**
- By handling, charging or using the included Li-Po battery, you assume all risks associated with lithium batteries.
- If at any time the battery begins to balloon or swell, discontinue use immediately. If charging or discharging, discontinue and disconnect. Continuing to use, charge or discharge a battery that is ballooning or swelling can result in fire.
- Always store the battery at room temperature in a dry area for best results.
- Always transport or temporarily store the battery in a temperature range of 40–120° F (5–49° C). Do not store battery or model in a car or direct sunlight. If stored in a hot car, the battery can be damaged or even catch fire.
- Always turn the transmitter on first
- Plug the flight battery into the lead from the 4-in-1 control unit
- Allow the 4-in-1 control unit to initialize and arm properly
- Fly the model
- Land the model
- Unplug the flight battery from the 4-in-1 control unit
- **Always turn the transmitter off last**
- Always charge batteries away from flammable materials.
- Always inspect the battery before charging
- Always disconnect the battery after charging, and let the charger cool between charges.
- Always constantly monitor the temperature of the battery pack while charging.
- **ONLY USE A CHARGER SPECIFICALLY DESIGNED TO CHARGE LI-PO BATTERIES.** Failure to charge the battery with a compatible charger may cause a fire resulting in personal injury and/or property damage.
- Never discharge Li-Po cells to below 3V under load.
- Never cover warning labels with hook and loop strips.
- Never charge batteries outside recommended levels.
- Never charge damaged batteries.
- Never attempt to dismantle or alter the charger.
- Never allow minors to charge battery packs.
- Never charge batteries in extremely hot or cold places (recommended between 40–120° F or (5–49° C) or place in direct sunlight.

Battery Charging

Your aircraft comes with a 1S 3.7V DC Li-Po battery charger and a 1S 3.7V 200mAh 30C Li-Po battery. Refer to the charging warnings. It is recommended to charge the battery pack while you are inspecting the aircraft. The flight battery will be required to confirm proper aircraft operation in future steps.



Flying Checklist

NOTICE: Charge only batteries that are cool to the touch and are not damaged. Look at the battery to make sure it is not damaged e.g., swollen, bent, broken or punctured.

1. Insert the charger into a USB port. The charger only uses power from the USB port, it will not connect to your computer. USB power supplies, such as those used to charge cellular phones, can also be used.
2. Connect the charger connector to the battery as shown and the battery will begin charging.
3. Always disconnect the flight battery from the charger immediately upon completion of charging.

CAUTION: Only use chargers specifically designed to charge the included Li-Po battery. Failure to do so could result in fire, causing injury or property damage.

CAUTION: Never exceed the recommended charge rate.

LED Indications

When you make the connection successfully, the LED on the charger turns solid red, indicating charging has begun. Charging a fully discharged (not over-discharged) 200mAh battery takes approximately 30 minutes. The light goes out when the charge is complete.

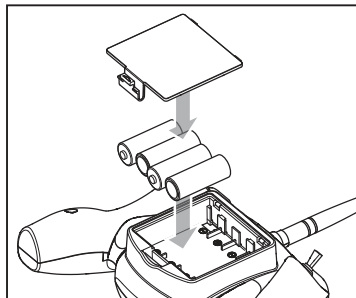
CHARGING (Solid Red)

MAX CHARGE (OFF)

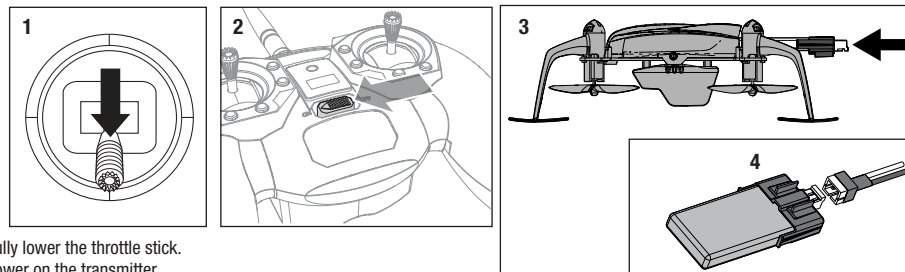
CAUTION: Once charging is complete, immediately remove the battery. Never leave a battery connected to the charger.

Installing the Transmitter Batteries (RTF)

Replace the transmitter batteries when the power LED flashes and the transmitter beeps.



Installing the Flight Battery



1. Fully lower the throttle stick.
2. Power on the transmitter.
3. Install the battery in the quadcopter by sliding it into the battery mounting slot above the 4-in-1 control unit. Slide the battery into the slots so that the battery key, molded into the battery end-cap, comes in contact with the key on the battery slot.
4. Connect the battery to the 4-in-1 control unit connector as shown.
5. The quadcopter can take off with the props facing up or down. Place the quadcopter on a flat surface and leave the aircraft still until the LED on the 4-in-1 control unit is solid blue (not blinking).

CAUTION: Always disconnect the Li-Po battery from the aircraft when not flying to avoid over-discharging the battery. Batteries discharged to a voltage lower than the lowest approved voltage may become damaged, resulting in loss of performance and potential fire when batteries are charged.

Transmitter and Receiver Binding



IMPORTANT: Set up your transmitter before binding your transmitter to the aircraft. Binding is the process of programming the receiver to recognize the GUID (Globally Unique Identifier) code of a specific transmitter. You need to 'bind' your chosen *Spektrum*™ or *DSM2*®/*DSMX*® technology equipped aircraft transmitter to the receiver for proper operation. If you purchased an RTF model, the transmitter is bound to the model at the factory. To bind or re-bind your quadcopter to your chosen transmitter, please follow the directions below.

General Binding Procedure

1. Disconnect the flight battery from the quadcopter.
2. Select a clean model memory on your transmitter (computer radios only).
3. Select Acro or Airplane model type on your transmitter.
4. Make sure all servo reversing is set correctly on your transmitter.
5. Center all trims on your transmitter.
6. Power off the transmitter and move all switches to the 0 position. Move the throttle to the low/off position.
7. Connect the flight battery in the quadcopter. The blue LED on the 4-in-1 control unit flashes after 5 seconds.
8. Put the transmitter into bind mode while powering on the transmitter.
9. Release the bind button/switch after 2–3 seconds. The quadcopter is bound when the blue LED on the 4-in-1 control unit turns solid.
10. Disconnect the flight battery and power the transmitter off.

 **CAUTION:** When using a Futaba® transmitter with a *Spektrum* module, you must reverse the throttle channel and rebind. Refer to your *Spektrum* module manual for binding and failsafe instructions. Refer to your Futaba transmitter manual for instructions on reversing the throttle channel.

RTF

Your RTF transmitter comes prebound to the model. If you need to re-bind, follow the directions below.

MLP6DSM Binding Procedure

1. Disconnect the flight battery from the quadcopter.
2. Center all trims on your transmitter.
3. Power off the transmitter and move the throttle stick to the down/off position.
4. Connect the flight battery in the quadcopter. The LED on the 4-in-1 control unit flashes after 5 seconds.
5. When the blue light is flashing, push in and hold down the left stick* while powering on the transmitter (you will hear a 'click').
6. Release the left stick. The transmitter will beep and the power LED will blink.
7. The quadcopter is bound when the LED on the 4-in-1 control unit is solid blue (not blinking).
8. Disconnect the flight battery and power the transmitter off.

* The trigger switch may also be used for the binding procedure.

If you encounter problems, obey binding instructions and refer to the troubleshooting guide for other instructions. If needed, contact the appropriate Horizon Product Support office. For a list of compatible DSM® transmitters, please visit www.bindnfly.com.

SAFE® Technology

Revolutionary SAFE® (Sensor Assisted Flight Envelope) technology uses an innovative combination of multi-axis sensors and software that allows model aircraft to know its position relative to the horizon. This spatial awareness is utilized to create a controlled flight envelope the aircraft can use to maintain a safe region of bank and pitch angles so you can fly more safely. Far beyond stability, this level of protection offers multiple modes so the pilot can choose to develop his or her skills with a greater degree of security and flight control that always feels crisp and responsive.

SAFE technology delivers:

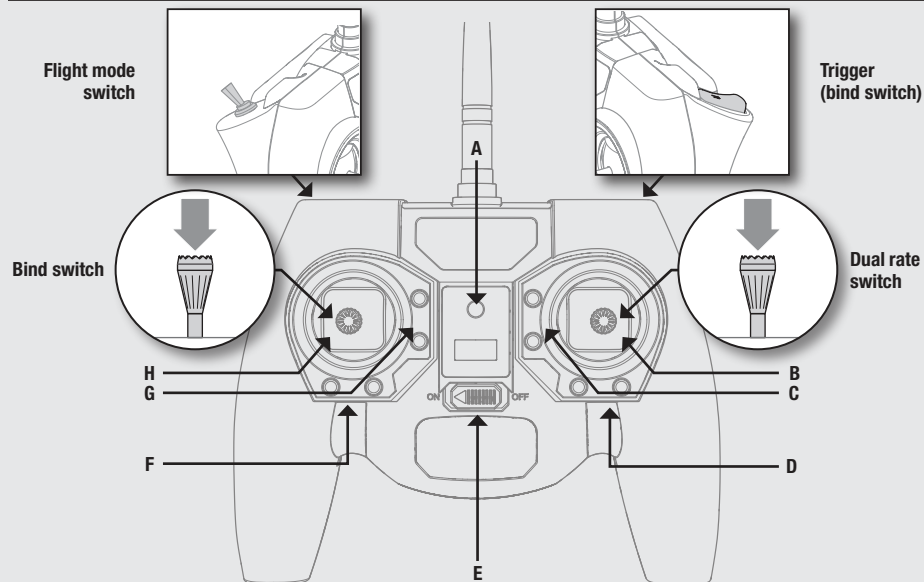
- Flight envelope protection you can enable at the flip of a switch.
- Multiple modes let you adapt SAFE technology to your skill level instantly.

Best of all, sophisticated SAFE technology doesn't require any work to enjoy. Every aircraft with SAFE installed is ready to use and optimized to offer the best possible flight experience.

FlySAFERC.com

Transmitter Controls

RTF



When pressed down, trim buttons make a sound that increases or decreases in pitch at each pressing. The middle or neutral trim position is heard as a middle tone in the pitch range of the sounds. The end of the control range is sounded by a series of beeps.

	A	B	C	D	E	F	G	H
Mode 2	Power LED/rate indicator	Aileron (Left/Right) Elevator (Up/Down)	Eleva- tor Trim	Aileron Trim	ON/OFF Switch	Rudder Trim	Throttle Trim	Rudder (Left/Right) Throttle (Up/Down)

SAFE Technology Flight Modes – RTF

RTF

The Nano QX 3D RTF model comes with the Blade MLP6DSM transmitter. This transmitter has a switch that lets the pilot change among 3 SAFE Technology flight modes.

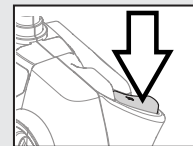
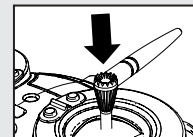
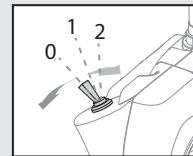
IMPORTANT: Ensure the flight mode switch is in the desired position before flying.

- Beginner Mode (switch position 0).
Release the control sticks to neutral and the quadcopter will level itself.
- Intermediate Mode (switch position 1).
Release the control sticks to neutral and the quadcopter will level itself.
- Evo Mode (switch position 2). Only switch to this mode before takeoff. If switched to this mode in flight, the quadcopter will only operate with switch position 1 options.

Control Sensitivity – Press down on the right stick: transmitter LED flashes for Low, LED solid for High (default)

Transmitter Trigger Options

- Beginner Mode (0) Flip– Press the trigger for a 360 degree flip, then move the aileron or elevator stick fully in the desired flip direction.
- Intermediate Mode (1) Invert– Press the trigger once, then move the aileron or elevator stick fully in the desired invert direction. The quadcopter responds to controls the same as when it is not inverted.
- Evo Mode (2) Throttle Cut– Press the trigger to cut throttle, stopping the motors for advanced 3D maneuvers.



BNF

Flight Mode Selection – BNF

If you purchased a BNF Nano QX 3D, the channel 5 switch on your transmitter will select flight modes. See the table on the following page for specific setup information.

Transmitter Setup Table

IMPORTANT: Set up your transmitter before binding your transmitter to the aircraft.

Non-Computerized Transmitter Setup (DX4e and DX5e) Before binding a non-computerized transmitter, ensure all servo reversing is set to normal and trim is at center.

Computerized Transmitter Setup Start all transmitter programming with a blank ACRO model (do a model reset), then name the model.

Set Dual Rates to: HIGH 100% LOW 70%.

Transmitter	"Model Type"	Transmitter Programming	Switches and Supported Flight Modes
MLP6DSM	N/A	N/A	Ch 5 and 3 flight modes (0, 1, 2) Flip-Beginner, Invert-Intermediate, Throttle Cut-Evo: Trigger
DX4e (old) w/2 Position Switch	N/A	N/A	ACT/AUX and 2 flight modes (0, 2) Flip-Beginner, Invert-Intermediate, Throttle Cut-Evo: Trainer
DX5e (old) w/2 Position Switch	N/A	N/A	Ch 5 and 2 flight modes (0, 2) Flip-Beginner, Invert-Intermediate, Throttle Cut-Evo: Trainer
DX4e w/3 Position Switch	N/A	N/A	Ch 5 and 3 flight modes (0, 1, 2) Flip-Beginner, Invert-Intermediate, Throttle Cut-Evo: Trainer
DX5e w/3 Position Switch	N/A	N/A	Ch 5 and 3 flight modes (0, 1, 2) Flip-Beginner, Invert-Intermediate, Throttle Cut-Evo: Trainer
DX6i	Acro	Function List Flap: 125% Up Arrow 125% Down Arrow Mix 1: Gear to Gear Rate D 0%, U -125% SW: GEAR Mix 2: Gear to Gear Rate D 0%, U +125% SW: ELE D/R Setup List Reverse: GEAR: R, All others: N Throttle Cut: Act	GEAR (0) ELE D/R (0) = Beginner GEAR (1) ELE D/R (0) = Intermediate GEAR (1) ELE D/R (1) = Evo Mode

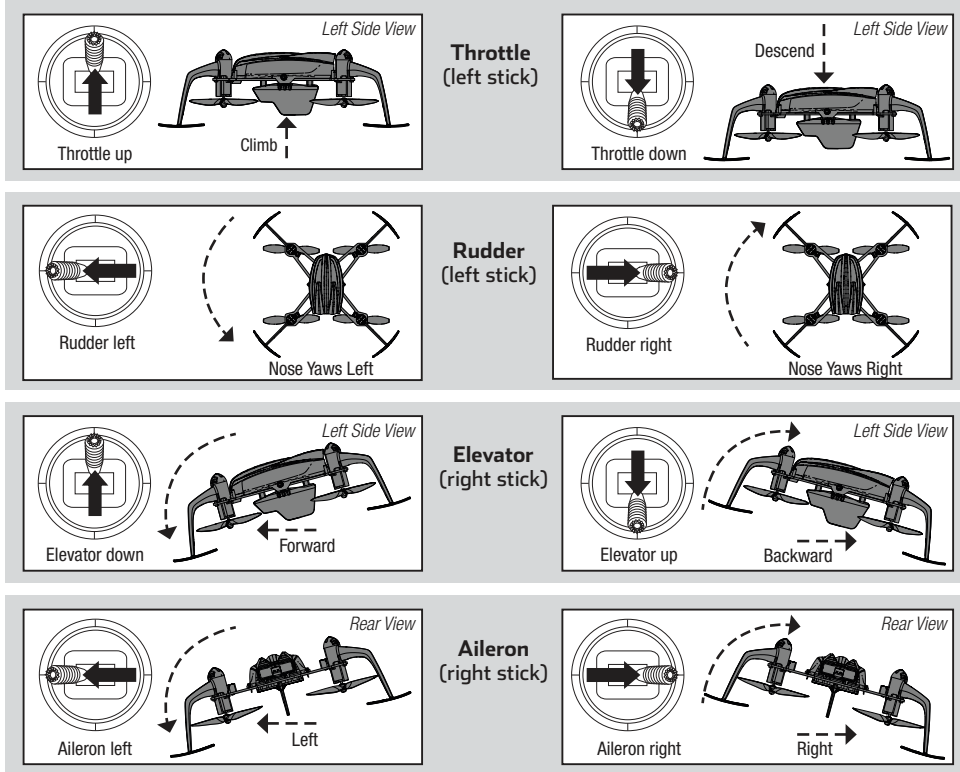
Transmitter	"Model Type"	Transmitter Programming	Switches and Supported Flight Modes
DX7S	Airplane	System Setup Switch Select Trainer: Aux1 Flap: Gear (All others: INH) Function List Servo Setup Reverse Aux1: R Throttle Cut Pos: 0% Sw: Mix1	Flap Switch Pos 0: Beginner Pos 1: Intermediate Pos 2: Evo Mode
DX8	Airplane	Servo Setup: Reverse: AUX1-R, All others-N Switch Select: Trainer: AUX1, F Mode: Gear Throttle Cut Pos: 0% Sw: Mix1	F MODE and 3 flight modes (0, 1, 2)
DX6, DX9, DX18	Airplane	System Setup Channel Assign, [NEXT] Channel Input Config Gear: B Aux1: I Function List Servo Setup Reverse Aux1: R (All others: N) ThrottleCut: Pos: -130% Sw: Switch H	B Switch Pos 0: Beginner Pos 1: Intermediate Pos 2: Evo Mode

LED Codes

Equipment	LED Color	LED Status	Operation
Quadcopter	Blue	Rapid Blink	Bind Mode
RTF Transmitter	Red	Blink	Low Rate
		Solid	High Rate

Understanding the Primary Flight Controls

If you are not familiar with the controls of your Nano QX 3D, take a few minutes to familiarize yourself with them before attempting your first flight.



Flying the Nano QX 3D

Takeoff

Increase the throttle until the model is approximately 2 ft. (600mm) off the ground and check the trim so the model flies as desired.

Adjust trim on your transmitter if the quadcopter turns or drifts in calm air while control sticks are centered.

- If the quadcopter nose turns to the left or right, adjust the rudder trim.
- If the quadcopter drifts forward or backward, adjust the elevator trim.
- If the quadcopter drifts left or right, adjust the aileron trim.

Once the trim is adjusted, begin flying the model. Typical flight times for the included battery range from 5 to 10 minutes.

Low Voltage Cutoff (LVC)

LVC decreases the power to the motors when the battery voltage gets low. When the motor power decreases and the blue and red LEDs on the 4-in-1 unit are solid, land the aircraft immediately and recharge the flight battery.

LVC does not prevent the battery from over-discharge during storage.

NOTICE: Repeated flying to LVC will damage the battery.

TIP: Set the quadcopter down on the ground quickly by lowering the throttle when approaching walls or other obstacles to help prevent propeller strikes.

TIP: Many aerobatic maneuvers can be performed using the RTF transmitter. However, a computerized transmitter will allow increase of the travel beyond 100% on aileron, elevator or rudder for increased control authority.

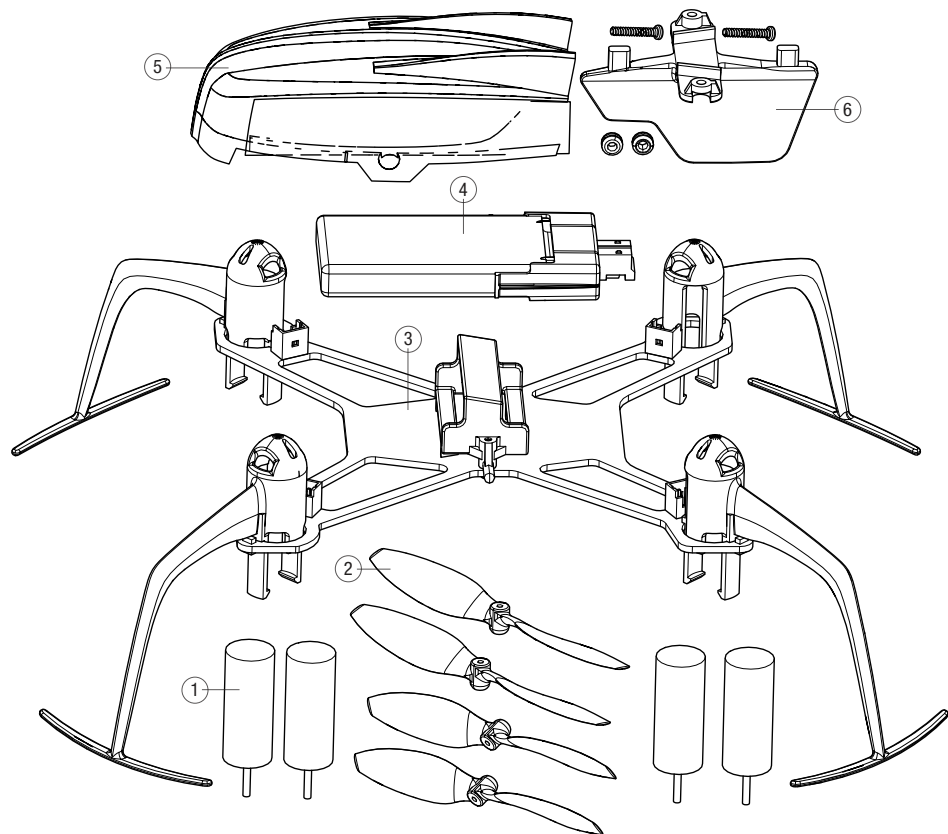
Landing

To land, slowly decrease the throttle while in a low-level hover. After landing, disconnect and remove the battery from the aircraft after use to prevent trickle discharge. Fully charge your battery before storing it. During storage, make sure the battery charge does not fall below 3V per cell.

Post-Flight Inspection and Maintenance Checklist

✓		
Cleaning		Make sure the battery is not connected before cleaning. Remove dust and debris with a soft brush or a dry, lint-free cloth.
Motors		Replace the motor when the model will not fly steady or veers off when doing a climb out.
Wiring		Make sure the wiring does not block moving parts. Replace damaged wiring and loose connectors.
Fasteners		Make sure there are no loose screws, other fasteners or connectors. Do not over-tighten metal screws in plastic parts. Tighten screws so the parts are mated together, then turn screw only 1/8th of a turn more.
Propellers		Make sure there is no damage to the propellers or other parts that move at high speed. Damage to these parts includes cracks, burrs, chips or scratches. Replace damaged parts before flying.

Exploded View



Parts Listings

Part #	Description
1	BLH7102 Brushed Motors (4): Nano QX 3D
2	BLH7105 Props (4): Nano QX 3D
3	BLH7106 Main Frame: Nano QX 3D
4	EFLB2001S30 200mAh 1S 3.7V 30C LiPo Battery
5	BLH7103 Upper Canopy: Nano QX 3D
6	BLH7104 Frame Support: Nano QX 3D
EFLH1063	MLP6DSM SAFE Transmitter
BLH7101	4-in-1 Control Unit: Nano QX 3D
EFLC1013	1S USB Li-Po Charger, 500mAh High Current UMX Connector: Nano QX 3D

Optional Parts

Part #	Description	Part #	Description
EFLC1006	Celectra 1S 3.7v Variable Rate DC Li-Po Charger		DX8 DSMX 8-Channel Transmitter Only
	DX5e DSMX 5-Channel Transmitter Only		DX9 DSMX 9-Channel Transmitter Only
	DX6i DSMX 6-Channel Transmitter Only		DX18 DSMX 18-Channel Transmitter Only
	DX6 DSMX 6-Channel Transmitter Only		
	DX7s DSMX 7-Channel Transmitter Only		

Troubleshooting Guide

Problem	Possible Cause	Solution
Nano QX 3D control response is inconsistent or requires extra trim to neutralize movement	Aircraft not initialized on a level surface	Disconnect the flight battery, center the control trim and re-initialize the quadcopter
	Battery not correctly placed in battery slot	Adjust battery position so quadcopter balances in the center of the frame
Nano QX 3D will not respond to throttle	Throttle too high and/or throttle trim is too high	Reset controls with the throttle stick and throttle trim at the lowest setting
	Nano QX moved during initialization	Disconnect the flight battery and re-initialize the Nano QX 3D while keeping the quadcopter from moving
	Throttle channel is reversed	Disconnect flight battery, reverse the throttle channel on the transmitter, reconnect flight battery
Nano QX 3D does not function and smells burnt after connecting the flight battery	Flight battery connected with the wrong polarity	Replace the 4-in-1 board. Connect the flight battery noting proper polarity
Nano QX 3D has reduced flight time or is underpowered	Flight battery charge is low	Completely recharge the flight battery
	Inadequate power to flight battery charger	Use a different USB power source for the charger
	Flight battery is damaged	Replace the flight battery and follow the flight battery instructions
	Flight conditions might be too cold	Make sure the battery is warm (room temperature) before use

Problem	Possible Cause	Solution
LED on receiver flashes rapidly and aircraft will not respond to transmitter (during binding)	Transmitter too near aircraft during binding process	Power off the transmitter. Move the transmitter a larger distance from the aircraft. Disconnect and reconnect the flight battery to the aircraft. Follow the binding instructions
	Bind switch or button was not held while transmitter was powered on	Power off transmitter and repeat bind process.
	Aircraft or transmitter is too close to large metal object, wireless source or another transmitter	Move aircraft and transmitter to another location and attempt binding again
LED on the receiver flashes rapidly and the Nano QX 3D will not respond to the transmitter (after binding)	Less than a 5-second wait between first powering on the transmitter and connecting the flight battery to the Nano QX 3D	Leave the transmitter powered on. Disconnect and reconnect the flight battery to the Nano QX 3D
	The Nano QX 3D is bound to a different model memory (ModelMatch™ transmitters only)	Select the correct model memory on the transmitter. Disconnect and reconnect the flight battery to the Nano QX 3D
	Flight battery or transmitter battery charge is too low	Replace or recharge batteries
	Aircraft or transmitter is too close to large metal object, wireless source or another transmitter	Move aircraft and transmitter to another location and attempt connecting again
Crashes immediately upon lift-off	Propellers in wrong locations or incorrect flight mode selected	Make necessary adjustments

Limited Warranty

What this Warranty Covers

Horizon Hobby, LLC, (Horizon) warrants to the original purchaser that the product purchased (the "Product") will be free from defects in materials and workmanship at the date of purchase.

What is Not Covered

This warranty is not transferable and does not cover (i) cosmetic damage, (ii) damage due to acts of God, accident, misuse, abuse, negligence, commercial use, or due to improper use, installation, operation or maintenance, (iii) modification of or to any part of the Product, (iv) attempted service by anyone other than a Horizon Hobby authorized service center, (v) Product not purchased from an authorized Horizon dealer, or (vi) Product not compliant with applicable technical regulations. OTHER THAN THE EXPRESS WARRANTY ABOVE, HORIZON MAKES NO OTHER WARRANTY OR REPRESENTATION, AND HEREBY DISCLAIMS ANY AND ALL IMPLIED WARRANTIES, INCLUDING, WITHOUT LIMITATION, THE IMPLIED WARRANTIES OF NON-INFRINGEMENT, MERCHANTABILITY AND FITNESS FOR A PARTICULAR PURPOSE. THE PURCHASER ACKNOWLEDGES THAT THEY ALONE HAVE DETERMINED THAT THE PRODUCT WILL SUITABLY MEET THE REQUIREMENTS OF THE PURCHASER'S INTENDED USE.

Purchaser's Remedy

Horizon's sole obligation and purchaser's sole and exclusive remedy shall be that Horizon will, at its option, either (i) service, or (ii) replace, any Product determined by Horizon to be defective. Horizon reserves the right to inspect any and all Product(s) involved in a warranty claim. Service or replacement decisions are at the sole discretion of Horizon. Proof of purchase is required for all warranty claims. SERVICE OR REPLACEMENT AS PROVIDED UNDER THIS WARRANTY IS THE PURCHASER'S SOLE AND EXCLUSIVE REMEDY.

Limitation of Liability

HORIZON SHALL NOT BE LIABLE FOR SPECIAL, INDIRECT, INCIDENTAL OR CONSEQUENTIAL DAMAGES, LOSS OF PROFITS OR PRODUCTION OR COMMERCIAL LOSS IN ANY WAY, REGARDLESS OF WHETHER SUCH CLAIM IS BASED IN CONTRACT, WARRANTY, TORT, NEGLIGENCE, STRICT LIABILITY OR ANY OTHER THEORY OF LIABILITY, EVEN IF HORIZON HAS

BEEN ADVISED OF THE POSSIBILITY OF SUCH DAMAGES.

Further, in no event shall the liability of Horizon exceed the individual price of the Product on which liability is asserted. As Horizon has no control over use, setup, final assembly, modification or misuse, no liability shall be assumed nor accepted for any resulting damage or injury. By the act of use, setup or assembly, the user accepts all resulting liability. If you as the purchaser or user are not prepared to accept the liability associated with the use of the Product, purchaser is advised to return the Product immediately in new and unused condition to the place of purchase.

Law

These terms are governed by Illinois law (without regard to conflict of law principles). This warranty gives you specific legal rights, and you may also have other rights which vary from state to state. Horizon reserves the right to change or modify this warranty at any time without notice.

WARRANTY SERVICES

Questions, Assistance, and Services

Your local hobby store and/or place of purchase cannot provide warranty support or service. Once assembly, setup or use of the Product has been started, you must contact your local distributor or Horizon directly. This will enable Horizon to better answer your questions and service you in the event that you may need any assistance. For questions or assistance, please visit our website at www.horizonhobby.com, submit a Product Support Inquiry, or call the toll free telephone number referenced in the Warranty and Service Contact Information section to speak with a Product Support representative.

Inspection or Services

If this Product needs to be inspected or serviced and is compliant in the country you live and use the Product in, please use the Horizon Online Service Request submission process found on our website or call Horizon to obtain a Return Merchandise Authorization (RMA) number. Pack the Product securely using a shipping carton. Please note that original boxes may be included, but are not designed to withstand the rigors of shipping without additional protection. Ship via a carrier that provides tracking and insurance for lost or

damaged parcels, as Horizon is not responsible for merchandise until it arrives and is accepted at our facility. An Online Service Request is available at http://www.horizonhobby.com/content/_service-center_render-service-center. If you do not have internet access, please contact Horizon Product Support to obtain a RMA number along with instructions for submitting your product for service. When calling Horizon, you will be asked to provide your complete name, street address, email address and phone number where you can be reached during business hours. When sending product into Horizon, please include your RMA number, a list of the included items, and a brief summary of the problem. A copy of your original sales receipt must be included for warranty consideration. Be sure your name, address, and RMA number are clearly written on the outside of the shipping carton.

NOTICE: Do not ship LiPo batteries to Horizon. If you have any issue with a LiPo battery, please contact the appropriate Horizon Product Support office.

Warranty Requirements

For Warranty consideration, you must include your original sales receipt verifying the proof-of-purchase date.

Provided warranty conditions have been met, your Product will be serviced or replaced free of charge. Service or replacement decisions are at the sole discretion of Horizon.

Non-Warranty Service

Should your service not be covered by warranty, service will be completed and payment will be required without notification or estimate of the expense unless the expense exceeds 50% of the retail purchase cost.

By submitting the item for service you are agreeing to payment of the service without notification. Service estimates are available upon request. You must include this request with your item submitted for service. Non-warranty service estimates will be billed a minimum of ½ hour of labor. In addition you will be billed for return freight. Horizon accepts money orders and cashier's checks, as well as Visa, MasterCard, American Express, and Discover cards. By submitting any item to Horizon for service, you are agreeing to Horizon's Terms and Conditions found on our website http://www.horizonhobby.com/content/_service-center_render-service-center.

ATTENTION: Horizon service is limited to Product compliant in the country of use and ownership. If received, a non-compliant Product will not be serviced. Further, the sender will be responsible for arranging return shipment of the un-serviced Product, through a carrier of the sender's choice and at the sender's expense. Horizon will hold non-compliant Product for a period of 60 days from notification, after which it will be discarded.

Warranty and Service Contact Information

Country of Purchase	Horizon Hobby	Contact Information	Address
United States of America	Horizon Service Center (Repairs and Repair Requests)	servicecenter.horizonhobby.com/RequestForm/	4105 Fieldstone Rd Champaign, Illinois, 61822 USA
	Horizon Product Support (Product Technical Assistance)	www.quickbase.com/db/bghj7ey8c?a=GenNewRecord 888-959-2304	
	Sales	sales@horizonhobby.com 888-959-2304	
United Kingdom	Service/Parts/Sales: Horizon Hobby Limited	sales@horizonhobby.co.uk +44 (0) 1279 641 097	Units 1-4 , Ployters Rd, Staple Tye Harlow, Essex, CM18 7NS, United Kingdom
Germany	Horizon Technischer Service Sales: Horizon Hobby GmbH	service@horizonhobby.de +49 (0) 4121 2655 100	Christian-Junge-Straße 1 25337 Elmshorn, Germany
France	Service/Parts/Sales: Horizon Hobby SAS	infofrance@horizonhobby.com +33 (0) 1 60 18 34 90	11 Rue Georges Charpak 77127 Lieusaint, France
China	Service/Parts/Sales: Horizon Hobby – China	info@horizonhobby.com.cn +86 (021) 5180 9868	Room 506, No. 97 Changshou Rd. Shanghai, China 200060

FCC Information

This device complies with part 15 of the FCC rules. Operation is subject to the following two conditions: (1) This device may not cause harmful interference, and (2) this device must accept any interference received, including interference that may cause undesired operation.



CAUTION: Changes or modifications not expressly approved by the party responsible for compliance could void the user's authority to operate the equipment.

This product contains a radio transmitter with wireless technology which has been tested and found to be compliant with the applicable regulations governing a radio transmitter in the 2.400GHz to 2.4835GHz frequency range.

IC Information

This device complies with Industry Canada license-exempt RSS standard(s). Operation is subject to the following two conditions: (1) this device may not cause interference, and (2) this device must accept any interference, including interference that may cause undesired operation of the device.

Compliance Information for the European Union

Declaration of Conformity

(in accordance with ISO/IEC 17050-1)

No. HH2015010703

Product(s): Blade Nano QX 3D BNF

Item Number(s): BLH7180

Equipment class: 1

The object of declaration described above is in conformity with the requirements of the specifications listed below, following the provisions of the European R&TTE directive 1999/5/EC and EMC Directive 2004/108/EC:

EN 301 489-1 V1.9.2

EN 301 489-3 V1.6.1

EN 55022:2006+A1:2007

EN 55024:1998+A1:2001+A2:2003

EN 61000-3-2: 2006+A2:2009, EN 61000-3-3: 2008

Declaration of Conformity

(in accordance with ISO/IEC 17050-1)

No. HH2015010702

Product(s): Blade Nano QX 3D RTF

Item Number(s): BLH7100, BLH7100M1

Equipment class: 1

The object of declaration described above is in conformity with the requirements of the specifications listed below, following the provisions of the European R&TTE directive 1999/5/EC, EMC Directive 2004/108/EC and LVD Directive 2006/95/EC:

EN 300 440-1 V1.6.1

EN 300 440-2 V1.4.1

EN 301 489-1 V1.9.2

EN 301 489-3 V1.6.1

EN 60950-1:2006+A11:2009+A1:2010+A12:2011+A2:2013

EN 62479: 2010

EN 55022:2006+A1:2007

EN 55024:1998+A1:2001+A2:2003

EN61000-3-2:2006+A2:2009, EN61000-3-3:2008



Signed for and on behalf of:
Horizon Hobby, LLC
Champaign, IL USA
Jan 07, 2015

Bill Vallee
Executive Vice President
Product Divisions
Horizon Hobby, LLC



Signed for and on behalf of:
Horizon Hobby, LLC
Champaign, IL USA
Jan 07, 2015

Bill Vallee
Executive Vice President
Product Divisions
Horizon Hobby, LLC

Instructions for disposal of WEEE by users in the European Union



This product must not be disposed of with other waste. Instead, it is the user's responsibility to dispose of their waste equipment by handing it over to a designated collections point for the recycling of waste electrical and electronic equipment. The separate collection and recycling of your waste equipment at the time of disposal will help to conserve natural resources and make sure that it is recycled in a manner that protects human health and the environment. For more information about where you can drop off your waste equipment for recycling, please contact your local city office, your household waste disposal service or where you purchased the product.

HINWEIS

Alle Anweisungen, Garantien und anderen zugehörigen Dokumente können im eigenen Ermessen von Horizon Hobby, LLC, jederzeit geändert werden. Die aktuelle Produktliteratur finden Sie auf horizonhobby.com unter der Registerkarte „Support“ für das betreffende Produkt.


Spezielle Bedeutungen

Die folgenden Begriffe werden in der gesamten Produktliteratur verwendet, um auf unterschiedlich hohe Gefahrenrisiken beim Betrieb dieses Produkts hinzuweisen:

HINWEIS: Wenn diese Verfahren nicht korrekt befolgt werden, können sich möglicherweise Sachschäden UND geringe oder keine Gefahr von Verletzungen ergeben.

ACHTUNG: Wenn diese Verfahren nicht korrekt befolgt werden, ergeben sich wahrscheinlich Sachschäden UND die Gefahr von schweren Verletzungen.

WARNUNG: Wenn diese Verfahren nicht korrekt befolgt werden, ergeben sich wahrscheinlich Sachschäden, Kollateralschäden und schwere Verletzungen ODER mit hoher Wahrscheinlichkeit oberflächliche Verletzungen.

 **WARNUNG:** Lesen Sie die GESAMTE Bedienungsanleitung, um sich vor dem Betrieb mit den Produktfunktionen vertraut zu machen. Wird das Produkt nicht korrekt betrieben, kann dies zu Schäden am Produkt oder persönlichem Eigentum führen oder schwere Verletzungen verursachen.

Dies ist ein hochentwickeltes Hobby-Produkt. Es muss mit Vorsicht und gesundem Menschenverstand betrieben werden und benötigt gewisse mechanische Grundfähigkeiten. Wird dieses Produkt nicht auf eine sichere und verantwortungsvolle Weise betrieben, kann dies zu Verletzungen oder Schäden am Produkt oder anderen Sachwerten führen. Dieses Produkt eignet sich nicht für die Verwendung durch Kinder ohne direkte Überwachung eines Erwachsenen. Versuchen Sie nicht ohne Genehmigung durch Horizon Hobby, LLC, das Produkt zu zerlegen, es mit inkompatiblen Komponenten zu verwenden oder auf jegliche Weise zu erweitern. Diese Bedienungsanleitung enthält Anweisungen für Sicherheit, Betrieb und Wartung. Es ist unbedingt notwendig, vor Zusammenbau, Einrichtung oder Verwendung alle Anweisungen und Warnhinweise im Handbuch zu lesen und zu befolgen, damit es bestimmungsgemäß betrieben werden kann und Schäden oder schwere Verletzungen vermieden werden.

Nicht geeignet für Kinder unter 14 Jahren. Dies ist kein Spielzeug.

Zusätzliche Sicherheitsvorkehrungen und Warnhinweise

- Halten Sie stets in allen Richtungen einen Sicherheitsabstand um Ihr Modell, um Zusammenstöße oder Verletzungen zu vermeiden. Dieses Modell wird von einem Funksignal gesteuert, das Interferenzen von vielen Quellen außerhalb Ihres Einflussbereiches unterliegt. Diese Interferenzen können einen augenblicklichen Steuerungsverlust verursachen.
- Betreiben Sie Ihr Modell immer auf einer Freifläche ohne Fahrzeuge in voller Größe, Verkehr oder Menschen.
- Befolgen Sie stets sorgfältig die Anweisungen und Warnhinweise für das Modell und jegliche optionalen Hilfsgeräte (Ladegeräte, Akkupacks usw.).
- Bewahren Sie alle Chemikalien, Klein- und Elektroteile stets außerhalb der Reichweite von Kindern auf.
- Setzen Sie Geräte, die für diesen Zweck nicht speziell ausgelegt und geschützt sind, niemals Wasser aus. Feuchtigkeit kann die Elektronik beschädigen.
- Stecken Sie keinen Teil des Modells in den Mund, da dies zu schweren Verletzungen oder sogar zum Tod führen kann.
- Betreiben Sie Ihr Modell nie mit fast leeren Senderakkus.
- Halten Sie das Fluggerät immer in Sicht und unter Kontrolle.
- Gehen Sie sofort auf Motor Aus bei Rotorberührung.
- Verwenden Sie immer vollständig geladene Akkus.
- Lassen Sie immer den Sender eingeschaltet wenn das Fluggerät eingeschaltet ist.
- Nehmen Sie vor der Demontage des Fluggerätes die Akkus heraus.
- Halten Sie bewegliche Teile immer sauber.
- Halten Sie die Teile immer trocken.
- Lassen Sie Teile immer erst abkühlen bevor Sie sie anfassen.
- Nehmen Sie die Akkus/Batterien nach Gebrauch heraus.
- Betreiben Sie Ihr Fluggerät niemals mit beschädigter Verkabelung.
- Fassen Sie niemals bewegte Teile an.

Inhaltsangabe

Blade Nano QX 3D Spezifikationen.....	26	Auswahl Flugmodes (BnF)	33
Blade Nano QX 3D Ausstattung.....	26	Sendereinstellungen.....	34
Blade Nano QX 3D Lieferumfang.....	26	LED Anzeigen	35
Vorbereitung für den Erstflug.....	27	Einführung in die Hauptsteuerfunktionen	36
Checkliste zum Fliegen.....	27	Fliegen des Nano QX3D.....	37
Akku-Warnhinweise.....	27	Kontrollen nach dem Flug und Wartung	37
Laden des Flugakkus.....	27	Explosionszeichnung	38
Einsetzen der Senderbatterien (RTF).....	28	Teileliste	39
Einsetzen des Flugakkus.....	29	Hilfestellung zur Problemlösung	40
Binden von Sender und Empfänger.....	30	Garantie und Service Informationen.....	42
SAFE Technologie.....	31	Garantie und Service Kontaktinformationen.....	43
Senderfunktionen.....	32	Rechtliche Informationen für die Europäische Union.....	44
Auswahl Flugmodes und Dual Rate (RTF).....	33	Konformitätserklärung	45

Blade Nano QX 3D Spezifikationen

Länge	130mm	Fluggewicht	27 g
Höhe	42mm		

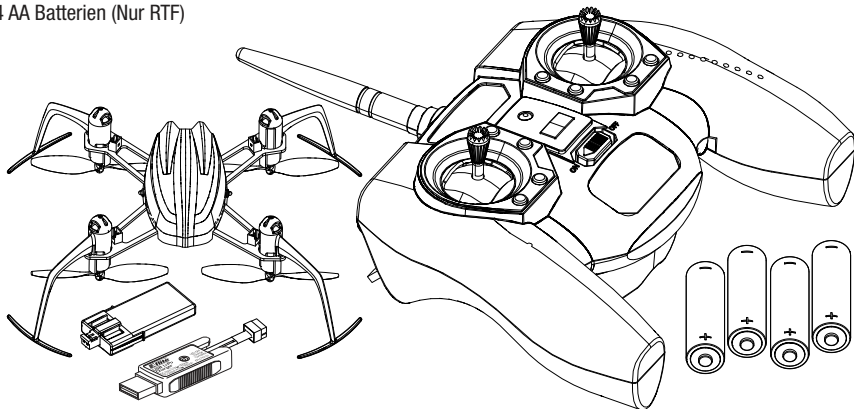
Sie können Ihr Produkt online unter www.bladehelis.com registrieren.

Blade Nano QX 3D Ausstattung

	BNF	RTF
Rumpf – Blade Nano QX 3D	Inklusive	Inklusive
Motoren – 6mm Bürsten-Motore	Eingebaut	Inklusive
Elektronikplatine – 4 in 1 mit Mischer/Regler/Kreisel	Eingebaut	Inklusive
Akku – 200mAh 1S 3.7V 30C Lipo	Inklusive	Inklusive
Lader – 1S USB Lipo Lader, 500mAh	Inklusive	Inklusive
Sender – MLP6DSM	Erforderlich	Inklusive

Kasteninhalt

- Blade® Nano QX 3D
- 200mAh 1S 3.7V 30C Li-Po Akku
- 1S USB Li-Po Ladegerät, 500 mAh
- MLP6DSM SAFE Sender (Nur RTF)
- 4 AA Batterien (Nur RTF)



Vorbereitung für den Erstflug

- Entnehmen und überprüfen Sie die Komponenten
- Laden Sie den Flugakku
- Setzen Sie den Akku ein wenn er vollständig geladen ist
- Programmieren Sie Ihren Sender (nur BNF Version)
- Machen Sie sich mit den Kontrollen vertraut
- Finden Sie eine geeignete Fläche zum fliegen
- Checkliste zum Fliegen

- Schalten Sie immer den Sender zuerst ein
- Stecken Sie den Flugakku an den Anschluss der 4-in-1 Kontrolleinheit an
- Lassen Sie der 4-in-1 Kontrolleinheit Zeit zum initialisieren und arrieren
- Fliegen Sie das Modell
- Landen Sie das Modell
- Stecken Sie den Flugakku von der 4-in-1 Kontrolleinheit ab
- Schalten Sie immer den Sender als letztes aus

Akku-Warnhinweise

Das dem Blade nano QX beiliegende Akkuladegerät (EFLC1008) wurde speziell auf eine sichere Aufladung des Li-Po-Akkus ausgelegt.

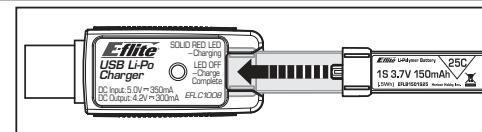
ACHTUNG! Alle Anweisungen und Warnhinweise müssen genau befolgt werden. Falsche Handhabung von Li-Po-Akkus kann zu Brand, Personen- und/oder Sachwertschäden führen.

- **Durch Handhabung, Aufladung oder Verwendung des mitgelieferten Li-Po-Akkus übernehmen Sie alle mit Lithiumakkus verbundenen Risiken**
- **Laden Sie die Akkus niemals über Nacht**
- Sollte der Akku zu einem beliebigen Zeitpunkt beginnen, sich aufzublähen oder anzuschwellen, stoppen Sie die Verwendung unverzüglich. Falls dies beim Laden oder Entladen auftritt, stoppen Sie den Lade-/Entladevorgang, und entnehmen Sie den Akku. Wird ein Akku, der sich aufbläht oder anschwillt, weiter verwendet, geladen oder entladen, besteht Brandgefahr
- Lagern Sie den Akku stets bei Zimmertemperatur an einem trockenen Ort
- Bei Transport oder vorübergehender Lagerung des Akkus muss der Temperaturbereich zwischen 40°F und 120°F (ca. 4,4°C bis 48,9°C) liegen. Akku oder Modell dürfen nicht im Auto oder unter direkter Sonneneinstrahlung gelagert werden. Bei Lagerung in einem heißen Auto kann der Akku beschädigt werden oder sogar Feuer fange.

- Laden Sie die Akkus immer weit entfernt von brennbaren Materialien
- Überprüfen Sie immer den Akku vor dem Laden und laden Sie niemals defekte oder beschädigte Akkus
- Verwenden Sie ausschließlich ein Ladegerät das speziell für das Laden von LiPo Akku geeignet ist. Das Laden mit einem nicht geeignetem Ladegerät kann Feuer und / oder Sachbeschädigung zur Folge haben
- Überwachen Sie ständig die Temperatur des Akkupsacks während des Ladens
- Trennen Sie immer den Akku nach dem Laden und lassen das Ladegerät abkühlen
- Entladen Sie niemals ein LiPo Akku unter 3V pro Zelle unter Last
- Verdecken Sie niemals Warnhinweise mit Klebband
- Lassen Sie niemals Akkus während des Ladens unbeaufsichtigt
- Laden Sie niemals Akkus ausserhalb ihrer sicheren Grenzen
- Laden Sie nur Akkus die kühl genug zum anfassen sind
- Versuchen Sie nicht das Ladegerät zu demontieren oder zu verändern
- Lassen Sie niemals Minderjährige Akkus laden
- Laden Sie niemals Akkus an extrem kalten oder heißen Plätzen (empfohlener Temperaturbereich 5 - 49°) oder im direkten Sonnenlicht.

Laden des Flugakkus

Der Quadcopter wird mit einem 1S 3.7V Lipo Ladegerät und einem 1S 3.7V 200mAh 30C Lipo Akku geliefert. Bitte lesen Sie sich die Warnhinweise zum Thema Akkuladen durch. Es wird empfohlen, den Akku während der Zeit zu laden, in der Sie das Fluggerät inspizieren. Der Akku wird gebraucht, um bestimmte Funktionen später nach Anleitung durchzuführen.



⚠ HINWEIS: Laden Sie Akkus nur, wenn sie auf Umgebungstemperatur abgekühlt sind. Schauen Sie sich den Akku an und stellen Sie sicher, dass dieser nicht beschädigt oder aufgequollen ist.

1. Stecken Sie den Lader in den USB Port. Der Lader verwendet nur die Stromversorgung des USB Ports, verbindet sich aber nicht mit Ihrem Computer. USB Ladestationen für das Laden von Mobiltelefonen sind ebenfalls geeignet.
2. Stecken Sie den Akku in den Akkuschacht des Laders und drücken sie ihn fest gegen den Stecker am Boden des Schachts. Die Schutzkappe des Akkus ist so geformt, dass der Akku nur in der richtigen Ausrichtung in den Schacht gesteckt werden kann. In der Regel zeigt das Label des Akkus nach oben. Somit kann der Akku nur mit der richtigen Polarität in den Lader gesteckt werden. Prüfen Sie die richtige Polarität.
3. Entnehmen Sie den Akku immer aus dem Lader, sobald der Ladevorgang beendet ist.

⚠ ACHTUNG: Verwenden Sie nur Ladegeräte, die für LIPO Akkus vorgesehen sind. Nichtbeachtung kann zu Feuer, Beschädigungen oder Verletzungen führen.

⚠ ACHTUNG: Überschreiten Sie niemals die vorgesehene Ladezeit.

LED Anzeigen

Bei erfolgreicher Verbindung von Akku und Lader leuchtet die LED rot und zeigt an, dass der Ladevorgang begonnen hat. Das Laden eines vollständig entladenen Akkus von 150mAh dauert ca. 30 bis 40 Minuten. Die LED erlischt, wenn der Akku vollständig geladen ist.

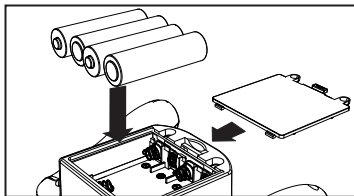
Laden: LED rot

Fertig geladen: LED aus

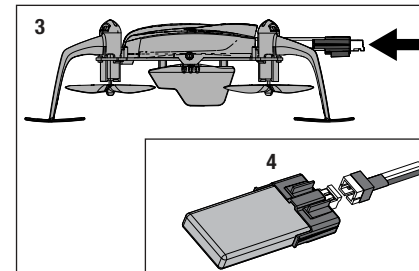
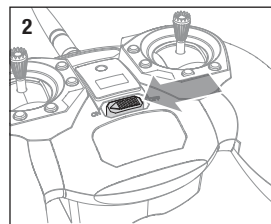
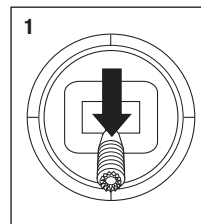
⚠ ACHTUNG: Entnehmen Sie den Akku aus dem Lader, sobald dieser fertig geladen ist. Belassen Sie den Akku niemals im Lader.

Einsetzen der Senderbatterien (RTF)

Setzen Sie unter Beobachtung der Polarität die Senderbatterien ein. Ersetzen Sie die Batterien wenn die LED blinkt und der Sender piept.



Einsetzen des Flugakkus



1. Bringen Sie den Gashebel und Gastrimmung auf die niedrigste Einstellung.
2. Schalten Sie den Sender ein.
3. Setzen Sie den Akku in den Quadcopter ein. Er wird in den Akkuschacht unterhalb der 4 in 1 Einheit gesteckt. Das Label des Akkus sollte nach oben schauen.
4. Der Quadcopter kann mit den Propeller nach oben oder unten zeigend abheben, Setzen Sie den Quadcopter auf dem Akku mit dem roten Punkt auf dem Stecker in Deckung.
5. Stellen Sie den Nano QX auf einer ebenen Fläche auf die Kufen und bewegen Sie den Nano QX solange nicht, wie die blaue LED dauerhaft leuchtet (nicht blinkt).

⚠ ACHTUNG: Trennen Sie den Li-Po-Akku immer vom Empfänger des Flugzeugs wenn Sie nicht fliegen um eine Tiefentladung zu vermeiden. Akkus die unter die zulässige Mindestspannung entladen werden, können dadurch beschädigt werden, was sich in Leistungsverlust und potentieller Brandgefahr bei dem Laden bemerkbar machen kann.

Binden von Sender und Empfänger



Beim Bindeprozess wird der Empfänger programmiert, um den GUID- (Global eindeutiger Identifikations-) Code eines einzelnen speziellen Senders zu erkennen. Für einen ordnungsgemäßen Betrieb müssen Sie Ihren gewählten Flugzeugsender mit Spektrum DSM Technologie an den Empfänger „binden“. Haben Sie ein RTF Modell gekauft ist der Sender bereits an das Modell gebunden.

Um den Quadcopter zu binden folgen Sie bitte den unten stehenden Anweisungen.

Der Bindevorgang

1. Trennen Sie den Flugakku von ihrem Quad-Copter.
2. Wählen Sie einen neuen Modellspeicher für Ihren Sender (Nur Computersender)
3. Wählen Sie ein Acro oder Flugzeugmodelltyp auf Ihrem Sender.
4. Stellen Sie bitte sicher dass alle Servoreverseinstellungen auf -Normal- stehen.
5. Stellen Sie alle Trimmungen auf Neutral
6. Schalten Sie den Sender aus und schalten alle Schalter auf die 0 Position. Stellen Sie den Gashebel in die niedrigste Motor Aus Position.
7. Schließen Sie den Flugakku an den Quad-Copter an. Die blaue LED auf der 4-in-1 Einheit blinkt nach 5 Sekunden.
8. Bringen Sie den Sender in den Bindemode während Sie ihn einschalten.
9. Lassen Sie den Bindeschalter nach 2 -3 Sekunden los. Der Quad-Copter ist gebunden wenn die blaue LED auf der 4-in-1 Einheit leuchtet.
10. Trennen Sie den Flugakku und schalten den Sender aus.



ACHTUNG: Wenn Sie einen Futaba-Sender mit einem Spektrum DSM-Modul verwenden, müssen Sie den Gaskanal reversieren (umkehren) und danach das System neu binden. Lesen Sie bitte für den Bindevorgang und programmieren der Failsafeinstellungen die Bedienungsanleitung des Spektrum Modules. Zum reversieren des Gaskanals lesen Sie bitte in der Anleitung des Futaba Senders nach.

RTF

MLP6DSM Bindeprozess

1. Trennen Sie den Flugakku vom Quad-Copter.
2. Zentrieren Sie alle Trimmungen auf dem Sender. Bitte sehen Sie im Abschnitt Trimmungen für Trimmanweisungen nach.
3. Schalten Sie den Sender aus und bringen den Gashebel in die Motor Aus Position.
4. Installieren Sie den Akku im Quadcopter. Die LED auf der 4in1 Platine blinkt rot bei der Initialisierung und dann blau, um Bindebereitschaft anzuzeigen.
5. Drücken Sie den linken Steuerknüppel nach unten (sie hören einen „Click“), während die blaue LED blinkt und schalten Sie dann den Sender ein.
6. Lassen Sie den Stick los. Der Sender piept und die Power LED blinkt.
7. Der Quad-Copter ist gebunden wenn die LED auf der 4-in-1 Einheit blau leuchtet (nicht blinkt).
8. Trennen Sie den Flugakku und schalten den Sender aus.

Wenn Probleme auftreten beachten Sie bitte die Bindeanweisungen und schauen in die Hilfestellung zur Problemlösung. Kontaktieren Sie falls notwendig den technischen Service von Horizon Hobby. Eine Liste der kompatiblen DSM Sender sehen Sie unter www.bindnfly.com.

SAFE Technologie

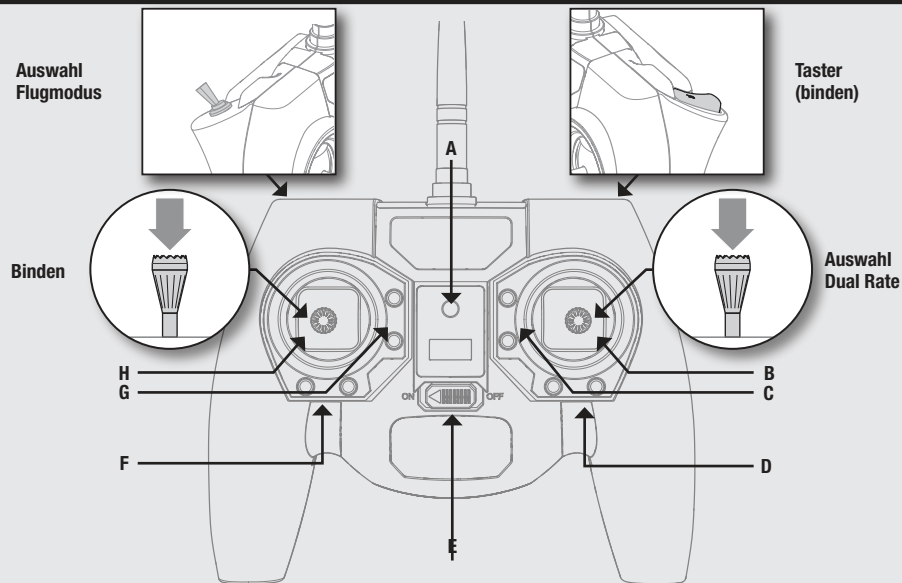
Die revolutionäre SAFE Technologie von Horizon Hobby (Sensor Assited Flight Envelope) verwendet eine innovative Kombination aus Multi-Achs Sensoren und Software, die es erlauben, die relative Position des Fluggerätes im Raum jederzeit zu bestimmen. Diese räumliche Information wird verwendet, um das Fluggerät in einem kontrollierten Flugzustand in sicherem Abstand zum Horizont (Boden) zu bewegen. Dabei werden Roll- und Nickwinkel beeinflusst und geregelt, um die Flugsicherheit zu erhöhen. Und das System kann weit mehr, als die Stabilisierung des Fluggerätes. Die verschiedenen Flugmodi können vom Piloten gemäß seiner Fähigkeiten individuell eingestellt werden.

SAFE Technologie im Überblick:

- Flugstabilisierung über einen Schalter zuschaltbar.
- Mehrere Modi zur Anpassung von SAFE and die Fähigkeiten des Piloten.

Und das Beste an allem ist, dass SAFE keine weiteren Einstellungen und Vorbereitungen erfordert. Jedes Modell, welches mit SAFE ausgestattet wurde, verfügt über eine angepasste und optimierte Programmierung der Elektronik, um für maximale Sicherheit und maximalen Flugspaß zu sorgen. FLYSAFERC.com

Senderfunktionen



Wenn die Trimmastten gedrückt werden, geben sie einen Signalton von sich, der bei jedem erneuten Drücken höher oder tiefer wird. Die mittlere oder neutrale Trimmstellung erklingt in der mittleren Tonhöhe. An den äußeren Enden des Steuerbereichs erklingt eine Tonfolge.

	A	B	C	D	E	F	G	H
Modus 1	Ein/Aus-LED	Querruder (links/rechts) Gas (auf/ab)	Gastrimm	Querruder- trimm	EIN/AUS- Schalter	Seitenruder- trimm	Höhenruder- trimm	Seitenruder (links/rechts) Höhenruder (auf/ab)

Auswahl Flugmodus und Dual Rate – RTF

RTF

Der Nano QX 3D RTF wird mit dem Blade MLP6DSM Sender geliefert. Dieser Sender ist mit einem Schalter ausgestattet, mit denen Sie die 3 Flugmodes der SAFE Technologie auswählen können.

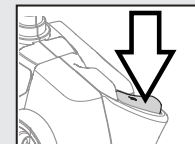
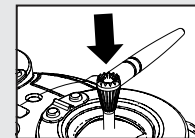
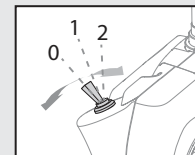
WICHTIG: Bitte überzeugen Sie sich vor dem Fliegen, dass mit dem Schalter der gewünschte Flugmode gewählt ist.

- **Beginner Mode (Schalterposition 0)**
Der Copter richtet sich von selbst auf wenn Sie die Steuerhebel loslassen.
- **Fortgeschrittener Mode (Schalterposition 1)**
Der Copter richtet sich von selbst auf wenn Sie die Steuerhebel loslassen.
- **Evo Mode (Schalterposition 2)** In diesem Mode dürfen Sie nur vor dem Start schalten. Sollten Sie während des Flug in diese Mode schalten fliegt der Copter nur wie auf Schalterposition 1.

Steuersensivität -Drücken Sie den rechten Steuerknüppel ein. Bei der Low Einstellung blinkt die LED, auf der High Einstellung (Standard) leuchtet die LED

Sendertaster Optionen

- **Beginner Mode (0)** Drücken Sie den Taster für einen 360° Flip und bewegen den Höhen- oder Querrudersteuerhebel in die gewünschte Flip-Richtung.
- **Fortgeschrittener Mode (1)** Rückenflug Drücken Sie den Taster einmal bewegen den Höhen- oder Querrudersteuerhebel in die gewünschte Rückenflugrichtung. Der Quadcopter reagiert dann als ober nicht auf dem Rücken sondern normal fliegen würde.
- **Evo Mode(2)** Throttle Cut /Gas aus - Drücken Sie den Taster um die Motoren für fortgeschrittenen 3D-Manöver zu stoppen.



BnF

Auswahl Flugmodus BnF

Die Flugmodi bei einem BnF Modell können durch den Kanalschalter des Kanals 6 ausgewählt werden. Das Modell befindet sich im Stabilitätsmodus, wenn die LED solide blau leuchtet und im Agilitätsmodus, wenn sie solide rot leuchtet. Sheen Sie sich bitte die Tabelle mit den Setups auf der nächsten Seite an.

Sendereinstellungen

WICHTIG: Bitte programmieren Sie ihren Sender bevor Sie binden ihn an den Quadcopter

Nicht-Computersender (DX4e und DX5e) Bitte stellen Sie vor dem Binden eines Nicht-Computersenders sicher, dass die Servoreverseeinstellungen (Umkehr) aller Kanäle auf Normal stehen und die Trimmungen in der Mitte.

Computersender Beginnen Sie die Programmierung mit einem leeren ACRO Modellspeicher (führen Sie ggfls. einen Reset durch) und benennen das Modell.

Stellen Sie die Dual Rates: auf HIGH 100% LOW 70%.

Sender	Modell Typ	Programmieren Sender	Schalter und unterstützte Flugmodi
MLP6DSM	n/a	n/a	K 5 and 3 Flug Modes (0, 1, 2) Flip-Beginner, Rückenflug -Fortgeschgr. Gas aus Evo: Auslöser
DX4e (alt) mit Position 2 SCHALTER	n/a	n/a	ACT/AUX und 2 Flug Modes (0,2) Flip-Beginner, Rückenflug -Fortgeschgr. Gas aus Evo: Kursleiter
DX5e (alt) mit Position 2 SCHALTER	n/a	n/a	K 5 and 2 Flug Modes (0, 2) Flip-Beginner, Rückenflug -Fortgeschgr. Gas aus Evo: Kursleiter
DX4e mit Position 3 SCHALTER	n/a	n/a	K 5 and 3 Flug Modes (0, 1, 2) Flip-Beginner, Rückenflug -Fortgeschgr. Gas aus Evo: Kursleiter
DX5e mit Position 3 SCHALTER	n/a	n/a	K 5 and 3 Flug Modes (0, 1, 2) Flip-Beginner, Rückenflug -Fortgeschgr. Gas aus Evo: Kursleiter
DX6i	Acro	Functionsliste Klappe: 125% herauf Pfeil 125% unten Pfeil Mix 1: Gear to Gear Rate D 0%, U -125% SW: GEAR Mix 2: Gear to Gear Rate D 0%, U +125% SW: ELE D/R Systemeinstellung Laufrichtung: GEAR: R, alle anderen N Gas aus: Act	GEAR (0) ELE D/R (0) = Beginner GEAR (1) ELE D/R (0) = Fortgeschrittener GEAR (1) ELE D/R (1) = Evo Mode

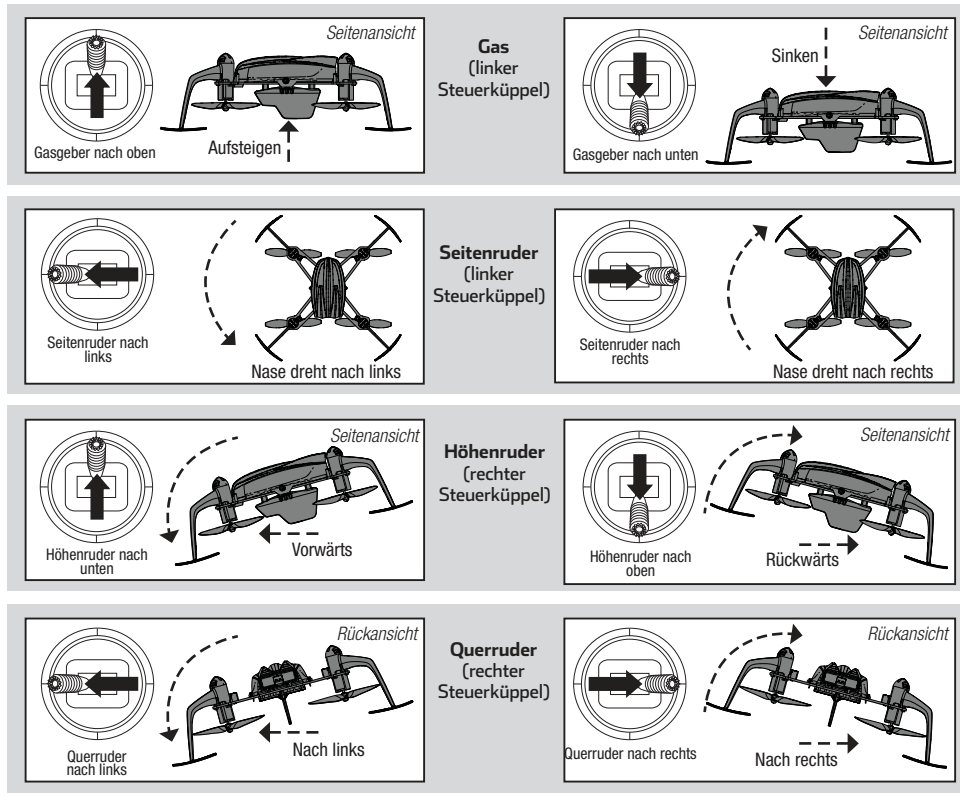
Sender	Modell Typ	Programmieren Sender	Schalter und unterstützte Flugmodi
DX7S	Flugzeug	Systemeinstellung Schalterauswahl Trainer: Aux1 Klappe: Fw (Allen anderen Aus) Functionsliste Servoeinstellung Laufrichtung Aux1: R Gas aus Pos: 0%Schalter: Mix 1	Klappenschalter Pos 0: Beginner Pos 1: Fortgeschrittener Pos 2: Evo Mode
DX8	Flugzeug	Servoeinstellung Laufrichtung: Aux 1 R, alle anderen N Schalterauswahl: Trainer AUX1, F Mode: FW Gas aus Pos: 0%Schalter: Mix 1	F Mode und 3 Flugmodes (0,1,2)
DX6, DX9, DX18	Flugzeug	Systemeinstellung Kanalzuordnung (Weiter) Kanal Quelle FW: B Aux1: I Functionsliste Servoeinstellung Laufrichtung Aux1: R (alle anderen N) Gas aus Pos: - 130% Schalter: Schalter H	B Schalter Pos 0: Beginner Pos 1: Fortgeschrittener Pos 2: Evo Mode

LED Anzeigen

Equipment	LED Color	LED Status	Operation
Quadcopter	Blau	Schnelles blinken	Bindemodus
RTF Sender	Rot	Blinken	Min Weg
		Dauerleuchten	Max Weg

Einführung in die Hauptsteuerfunktionen

Wenn Ihnen die Steuerung Ihres nano QX 3D noch nicht geläufig ist, nehmen Sie sich bitte ein paar Minuten Zeit, um sich mit ihr vertraut zu machen, bevor Sie Ihren ersten Flug versuchen.



Fliegen des nano QX 3D

Starten

Erhöhen Sie das Gas bis das Modell in ca 60cm Höhe ist und stellen dann die Trimmung ein bis das Modell wie gewünscht fliegt.

Der nano QX 3D braucht für das Halten des Schwebeflug nur minimale Gaseingaben. Halten Sie die Gaseingaben so gering wie möglich, da große Gasbewegungen einen Verlust der Höhe und Kontrolle mit möglichen Absturz bedeuten können.

- Sollte die Nase des nano QX nach links oder rechts drehen stellen Sie die Seitenrudertrimmung ein.
- Sollte der nano QX kontinuierlich vorwärts oder rückwärts driften stellen Sie die Höhenrudertrimmung ein.
- Sollte der nano QX kontinuierlich nach links oder rechts driften stellen Sie die Querrudertrimmung ein.

Haben Sie die Trimmung eingestellt können Sie das Modell fliegen. Mit dem im Lieferumfang enthaltenem Akku sind Flugzeiten von 5 bis 10 Minuten möglich.

Niederspannungsabschaltung (LVC)

Die Niederspannungsabschaltung reduziert die Leistung zum Motor wenn die Akkuspannung sinkt. Wenn die Motorleistung und die blaue und rote LED auf dem 4 in 1 Kontrollboard leuchten, landen Sie den Copter unverzüglich und laden den Flugakku.

Die Niederspannungsabschaltung verhindert nicht die Tiefentladung während der Lagerung.

HINWEIS: Wiederholtes fliegen in die Niederspannungsabschaltung beschädigt den Akku.

TIPP: Haben Sie keine Angst den nano QX 3D zügig auf dem Boden abzusetzen wenn Sie zu nah an Hindernisse oder Mauern fliegen um eine Rotorblattberührung zu vermeiden.

TIPP: Das alles ist möglich mit dem RTF Sender. Bei Verwendung eines Computersenders erhöhen Sie den Weg auf dem Querruder, Höhenruder und Seitenruder über 100% für maximalen Ruderweg und Wirkung.

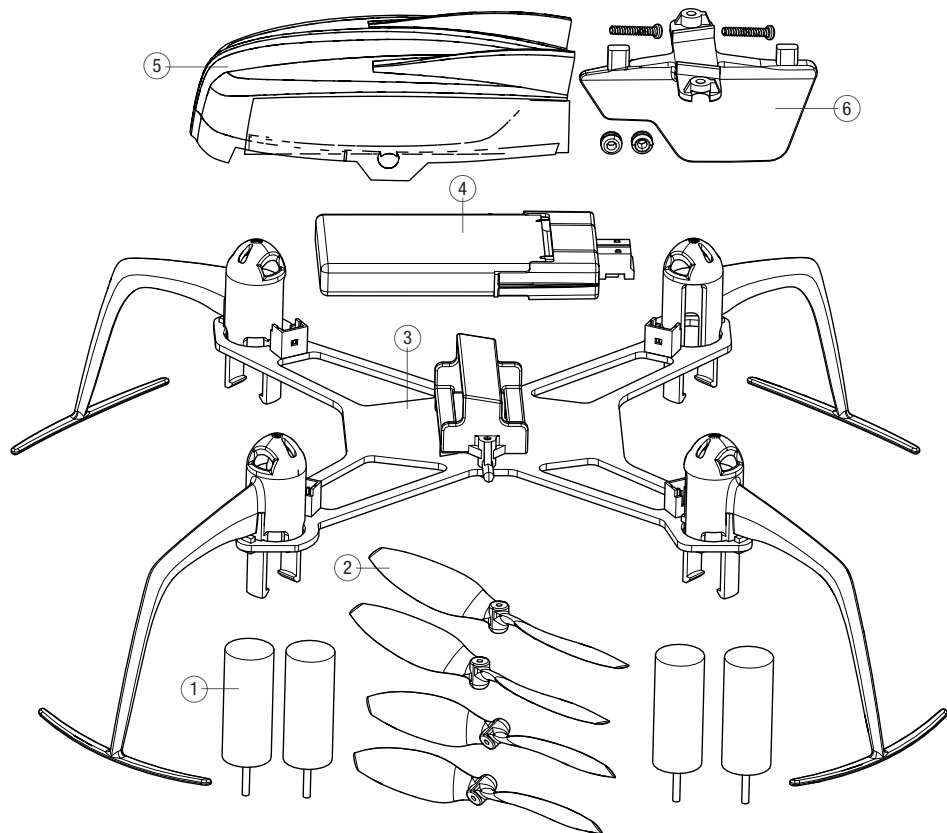
Landen

Um zu landen verringern Sie langsam das Gas im niedrigen Schwebeflug und setzen auf. Trennen Sie nach Landen den Akku und entnehmen ihn aus dem Copter und eine Tiefentladung zu verhindern. Laden Sie den Akku vollständig auf bevor Sie ihn einlagern. Überprüfen Sie bei der Lagerung den Akku, dass die Spannung nicht unter 3 Volt fällt.

Kontrollen nach dem Flug und Wartung

✓	
Reinigung	Vergewissern Sie sich vor der Reinigung, dass der Akku nicht angeschlossen ist. Entfernen Sie Staub und Schmutzrückstände mit einer weichen Bürste oder einem trockenen fusselfreien Tuch.
Motore	Ersetzen Sie den Motor, wenn das Modell im geraden Steigflug nach einer Seite ausbricht.
Verkabelung	Stellen Sie sicher, dass die Verkabelung keine beweglichen Teile blockiert. Ersetzen Sie beschädigte Verkabelung und lose Stecker.
Befestigungselemente	Stellen Sie sicher, dass keine Schrauben, andere Befestigungselemente oder Stecker lose sind. Ziehen Sie Metallschrauben in Kunststoffteilen nicht zu stark an. Ziehen Sie Schrauben so an, dass die Teile zusammengefügt sind, und drehen Sie die Schrauben danach um eine 1/8-Umdrehung.
Rotoren	Stellen Sie sicher, dass Rotorblätter oder andere Teile, die sich bei hoher Geschwindigkeit bewegen, unbeschädigt sind, d. h. beispielsweise keine Risse, Grater, Schnitzer oder Kratzer aufweisen. Ersetzen Sie beschädigte Teile vor dem Flug.

Explosionszeichnung



Teilleiste

Teil #	Beschreibung
1	BLH7102 Blade Nano QX 3D: Bürstenmotor (4)
2	BLH7105 Blade Nano QX 3D: Propeller (4)
3	BLH7106 Blade Nano QX 3D: Rahmen
4	EFLB2001S30 200mAh 1S 3.7V 30C Li-Po Akku
5	BLH7103 Blade Nano QX 3D: Kabinenhaube oben
6	BLH7104 Blade Nano QX 3D: Kabinenhaube unten rot
	EFLH1063 MLP6DSM SAFE Sender 2.4GHz
	BLH7101 Blade Nano QX 3D: Hauptplatine
	EFLC1013 E-flite USB Li-Po Ladegerät für 1S 500mAh

Optionsteile

Teil #	Beschreibung	Teil #	Beschreibung
EFLC1006	Electra 1S 3.7V 12V Ladegerät mit variablem Ladestrom		DX7s 7 Kanal Sender
	DX5e DSMX 5 Kanal Sender		DX8 DSMX 8 Kanal Sender
	DX6i DSMX 6 Kanal Sender		DX9 DSMX 9 Kanal Sender
	DX6i DSMX 6 Kanal Sender		DX18 DSMX 18 Kanal Sender

Hilfestellung zur Problemlösung

Problem	mögliche Ursache	Lösung
nano QX 3D hat inkonsequentes Flugverhalten und benötigt für Neutralstellung extra Trimmung	Fluggerät wurde nicht auf eine ebene Fläche bei der Initialisierung gestellt	Ziehen Sie den Flugakku ab, stellen Sie die Trimmung auf Neutral und stecken Sie den Akku zur Neuinitialisierung wieder an
	Akku liegt nicht richtig im Akkuschacht	Korrigieren Sie die Position im Akkuschacht, so dass der Schwerpunkt des Quadcopters in dessen Mitte liegt
nano QX 3D reagiert nicht auf Gaseingaben	Gastrimmung oder Gasknüppel zu hoch	Bringen Sie Gashebel und Trimmung auf die niedrigste Einstellung
	nano QX 3D wurde während der Initialisierung bewegt	Trennen Sie den Flugakku, initialisieren Sie den Quadcopter neu, dabei darf er nicht bewegt werden
	Gaskanal ist reversioniert	Trennen Sie den Flugakku, reversionieren Sie den Gaskanal und schließen den Akku neu an
nano QX 3D funktioniert nicht und riecht nach Anschluß des Akkus verbrannt	Flugakku ist mit der falschen Polarität angeschlossen	Ersetzen Sie das 4-in-1 Kontrollboard. Schließen Sie den Flugakku in richtiger Polarität an
Der nano QX 3D hat eine reduzierte Flugzeit oder scheint untermotorisiert	Flugakku ist zu gering geladen	Laden Sie den Flugakku vollständig auf
	Stromversorgung des Ladegerätes ist unzureichend	Verwenden Sie eine andere USB Stromquelle für den Lader
	Flugakku ist beschädigt	Ersetzen Sie den Flugakku und folgen Sie den Akkuanweisungen
	Flugbedingungen möglicherweise zu kalt	Stellen Sie sicher dass der Akku vor Benutzung warm ist (Raumtemperatur)

Problem	mögliche Ursache	Lösung
LED auf dem Empfänger blinkt schnell, Quadcopter reagiert bei Bindung nicht auf Sender	Sender war zu nah am Flugzeug während des Bindevorganges.	Schalten Sie den Sender aus. Stellen Sie den Sender weiter vom Fluggerät weg. Trennen und schließen Sie den Akku erneut an den Quadcopter an. Folgen Sie den Bindeanweisungen
	Bindeschalter wurde beim Einschalten des Senders nicht gedrückt	Schalten Sie den Sender aus und wiederholen Sie den Bindeprozess
	Das Fluggerät oder der Sender ist zu nahe an einem Metallkörper, einer Strahlungsquelle oder einem anderen Sender	Versuchen Sie den Vorgang noch einmal an einem anderen Ort
LED auf dem Empfänger blinkt schnell, nano QX 3D reagiert nicht auf den Sender (nach dem Binden)	Sie haben weniger als 5 Sekunden gewartet nachdem Sie den Sender eingeschaltet und den Flugakku angeschlossen haben	Lassen Sie den Sender eingeschaltet. Trennen und schließen Sie den Flugakku erneut an
	Der nano QX 3D ist an ein anderen Modellspeicher gebunden. (Betrifft nur Sender mit ModelMatch)	Wählen Sie auf dem Sender den richtigen Modellspeicher. Trennen und schließen Sie den Flugakku erneut an
	Ladung des Flugakkus zu gering oder Senderbattereien zu schwach	Ersetzen oder laden Sie die Akkus
	Das Fluggerät oder der Sender ist zu nahe an einem Metallkörper, einer Strahlungsquelle oder einem anderen Sender	Versuchen Sie den Vorgang noch einmal an einem anderen Ort
Absturz unverzüglich nach dem Abheben	Propeller falsch montiert oder falscher Flug Mode gewählt	Führen Sie die notwendigen Einstellungen durch

Garantie und Service Informationen

Warnung

Ein ferngesteuertes Modell ist kein Spielzeug. Es kann, wenn es falsch eingesetzt wird, zu erheblichen Verletzungen bei Lebewesen und Beschädigungen an Sachgütern führen. Betreiben Sie Ihr RC-Modell nur auf freien Plätzen und beachten Sie alle Hinweise der Bedienungsanleitung des Modells wie auch der Fernsteuerung.

Garanzzeitraum

Exklusive Garantie Horizon Hobby LLC (Horizon) garantiert, dass dasgekaufte Produkt frei von Material- und Montagefehlern ist. Der Garanzzeitraum entspricht den gesetzlichen Bestimmung des Landes, in dem das Produkt erworben wurde. In Deutschland beträgt der Garanzzeitraum 6 Monate und der Gewährleistungszeitraum 18 Monate nach dem Garanzzeitraum.

Einschränkungen der Garantie

- (a) Die Garantie wird nur dem Erstkäufer (Käufer) gewährt und kann nicht übertragen werden. Der Anspruch des Käufers besteht in der Reparatur oder dem Tausch im Rahmen dieser Garantie. Die Garantie erstreckt sich ausschließlich auf Produkte, die bei einem autorisierten Horizon Händler erworben wurden. Verkäufe an dritte werden von dieser Garantie nicht gedeckt. Garantieansprüche werden nur angenommen, wenn ein gültiger Kaufnachweis erbracht wird. Horizon behält sich das Recht vor, diese Garantiebestimmungen ohne Ankündigung zu ändern oder modifizieren und widerruft dann bestehende Garantiebestimmungen.
- (b) Horizon übernimmt keine Garantie für die Verkaufbarkeit des Produktes, die Fähigkeiten und die Fitness des Verbrauchers für einen bestimmten Einsatzzweck des Produktes. Der Käufer allein ist dafür verantwortlich, zu prüfen, ob das Produkt seinen Fähigkeiten und dem vorgesehenen Einsatzzweck entspricht.
- (c) Ansprüche des Käufers → Es liegt ausschließlich im Ermessen von Horizon, ob das Produkt, bei dem ein Garantiefall festgestellt wurde, repariert oder ausgetauscht wird. Dies sind die exklusiven Ansprüche des Käufers, wenn ein Defekt festgestellt wird.

Horizon behält sich vor, alle eingesetzten Komponenten zu prüfen, die in den Garantiefall einbezogen werden können. Die Entscheidung zur Reparatur oder zum Austausch liegt nur bei Horizon. Die Garantie schließt kosmetische Defekte oder Defekte, hervorgerufen durch höhere Gewalt, falsche Behandlung des Produktes, falscher Einsatz des Produktes, kommerziellen Einsatz oder Modifikationen irgendwelcher Art aus.

Die Garantie schließt Schäden, die durch falschen Einbau, falsche Handhabung, Unfälle, Betrieb, Service oder Reparaturversuche, die nicht von Horizon ausgeführt wurden aus. Rücksendungen durch den Käufer direkt an Horizon oder eine seiner Landesvertretung bedürfen der Schriftform.

Schadensbeschränkung

Horizon ist nicht für direkte oder indirekte Folgeschäden, Einkommensausfälle oder kommerzielle Verluste, die in irgendeinem Zusammenhang mit dem Produkt stehen verantwortlich, unabhängig ab ein Anspruch im Zusammenhang mit einem Vertrag, der Garantie oder der Gewährleistung erhoben werden. Horizon wird darüber hinaus keine Ansprüche aus einem Garantiefall akzeptieren, die über den individuellen Wert des Produktes hinaus gehen. Horizon hat keinen Einfluss auf den Einbau, die Verwendung oder die Wartung des Produktes oder etwaiger Produktkombinationen, die vom Käufer gewählt werden. Horizon übernimmt keine Garantie und akzeptiert keine Ansprüche für in der Folge auftretende Verletzungen oder Beschädigungen. Mit der Verwendung und dem Einbau des Produktes akzeptiert der Käufer alle aufgeführten Garantiebestimmungen ohne Einschränkungen und Vorbehalte. Wenn Sie als Käufer nicht bereit sind, diese Bestimmungen im Zusammenhang mit der Benutzung des Produktes zu akzeptieren, werden Sie gebeten, das Produkt in unbenutztem Zustand in der Originalverpackung vollständig bei dem Verkäufer zurückzugeben.

Sicherheitshinweise

Dieses ist ein hochwertiges Hobby Produkt und kein Spielzeug. Es muss mit Vorsicht und Umsicht eingesetzt werden und erfordert einige mechanische wie auch mentale Fähigkeiten. Ein Versagen, das Produkt sicher und umsi-

chtig zu betreiben kann zu Verletzungen von Lebewesen und Sachbeschädigungen erheblichen Ausmaßes führen. Dieses Produkt ist nicht für den Gebrauch durch Kinder ohne die Aufsicht eines Erziehungsberechtigten vorgesehen. Die Anleitung enthält Sicherheitshinweise und Vorschriften sowie Hinweise für die Wartung und den Betrieb des Produktes. Es ist unabdingbar, diese Hinweise vor der ersten Inbetriebnahme zu lesen und zu verstehen. Nur so kann der falsche Umgang verhindert und Unfälle mit Verletzungen und Beschädigungen vermieden werden.

Fragen, Hilfe und Reparaturen

Ihr lokaler Fachhändler und die Verkaufsstelle können eine Garantiebeurteilung ohne Rücksprache mit Horizon nicht durchführen. Dies gilt auch für Gardantiereparaturen. Deshalb kontaktieren Sie in einem solchen Fall den Händler, der sich mit Horizon kurz schließen wird, um eine sachgerechte Entscheidung zu fällen, die Ihnen schnellst möglich hilft.

Wartung und Reparatur

Muss Ihr Produkt gewartet oder repariert werden, wenden Sie sich entweder an Ihren Fachhändler oder direkt an Horizon. Rücksendungen / Reparaturen werden nur mit einer von Horizon vergebenen RMA Nummer bearbeitet. Diese Nummer erhalten Sie oder ihr Fachhändler vom technischen Service. Mehr Informationen dazu erhalten Sie im Serviceportal unter www.Horizonhobby.de oder telefonisch bei dem technischen Service von Horizon.

Packen Sie das Produkt sorgfältig ein. Beachten Sie, dass der Originalkarton in der Regel nicht ausreicht, um beim Versand nicht beschädigt zu werden. Verwenden Sie einen Paketdienstleister mit einer Tracking Funktion und

Versicherung, da Horizon bis zur Annahme keine Verantwortung für den Versand des Produktes übernimmt. Bitte legen Sie dem Produkt einen Kaufbeleg bei, sowie eine ausführliche Fehlerbeschreibung und eine Liste aller eingesendeten Einzelkomponenten. Weiterhin benötigen wir die vollständige Adresse, eine Telefonnummer für Rückfragen, sowie eine Email Adresse.

Garantie und Reparaturen

Garantieanfragen werden nur bearbeitet, wenn ein Originalkaufbeleg von einem autorisierten Fachhändler beiliegt, aus dem der Käufer und das Kaufdatum hervorgeht. Sollte sich ein Garantiefall bestätigen wird das Produkt repariert oder ersetzt. Diese Entscheidung obliegt einzig Horizon Hobby.

Kostenpflichtige Reparaturen

Liegt eine kostenpflichtige Reparatur vor, erstellen wir einen Kostenvoranschlag, den wir Ihrem Händler übermitteln. Die Reparatur wird erst vorgenommen, wenn wir die Freigabe des Händlers erhalten. Der Preis für die Reparatur ist bei Ihrem Händler zu entrichten. Bei kostenpflichtigen Reparaturen werden mindestens 30 Minuten Werkstattzeit und die Rückversandkosten in Rechnung gestellt. Sollten wir nach 90 Tagen keine Einverständniserklärung zur Reparatur vorliegen haben, behalten wir uns vor, das Produkt zu vernichten oder anderweitig zu verwerten.

ACHTUNG: Kostenpflichtige Reparaturen nehmen wir nur für Elektronik und Motoren vor. Mechanische Reparaturen, besonders bei Hubschraubern und RC-Cars sind extrem aufwendig und müssen deshalb vom Käufer selbst vorgenommen werden.

Garantie und Service Kontaktinformationen

Land des Kauf	Horizon Hobby	Telefon/E-mail Adresse	Adresse
Deutschland	Horizon Technischer Service	service@horizonhobby.de	Christian-Junge-Straße 1 25337 Elmshorn, Deutschland
	Sales: Horizon Hobby GmbH	+49 (0) 4121 2655 100	

Rechtliche Informationen für die Europäische Union



Konformitätserklärung

Konformitätserklärung laut Allgemeine Anforderungen (ISO/IEC 17050-1:2004, korrigierte Fassung 2007-06-15); Deutsche und Englische Fassung EN ISO/IEC 17050-1:2010

Declaration of Conformity (in accordance with ISO/IEC 17050-1)

No. HH2015010703

Horizon Hobby GmbH
Christian-Junge-Straße 1
D-25337 Elmshorn

erklärt das Produkt: Blade Nano QX 3D BNF BLH7180
declares the product: Blade Nano QX 3D BNF BLH7180

Geräteklasse: 1
equipment class: 1

den grundlegenden Anforderungen des §3 und den übrigen einschlägigen Bestimmungen des FTEG (Artikel 3 der R&TTE) und EMV Directive 2004/108/EC.

complies with the essential requirements of §3 and other relevant provisions of the FTEG (Article 3 of the R&TTE directive) and EMC Directive 2004/108/EC.

Angewendete harmonisierte Normen:
Harmonized standards applied:

EN 301 489-1 V1.9.2

EN 301 489-3 V1.6.1

EN 55022:2006+A1:2007

EN 55024:1998+A1:2001+A2:2003

EN 61000-3-2: 2006+A2:2009, EN 61000-3-3: 2008



Elmshorn,
07 Jan. 2015

Horizon Hobby GmbH: Christian-Junge-Straße 1, 25337 Elmshorn
HR Pi: HRB 1909; UStDNr.: DE812678792; Str.Nr.: 1829812324

Geschäftsführer: Klaus Breer, Bill Vallee Tel.: +49 4121 2655 100 Fax: +49 (0) 4121 2655 111 eMail: info@horizonhobby.de;
Internet: www.horizonhobby.de Es gelten unsere allgemeinen Geschäftsbedingungen, die in unseren Geschäftsräumen eingesehen werden können. Ware bleibt bis zur vollständigen Bezahlung Eigentum der Horizon Hobby GmbH

Bill Vallee
Geschäftsführer
Managing Director

Klaus Breer
Geschäftsführer
Managing Director



Konformitätserklärung

Konformitätserklärung laut Allgemeine Anforderungen (ISO/IEC 17050-1:2004, korrigierte Fassung 2007-06-15); Deutsche und Englische Fassung EN ISO/IEC 17050-1:2010

Declaration of Conformity (in accordance with ISO/IEC 17050-1)

No. HH2015010702

Horizon Hobby GmbH
Christian-Junge-Straße 1
D-25337 Elmshorn

erklärt das Produkt: Blade Nano QX 3D RTF BLH7100, BLH7100M1
declares the product: Blade Nano QX 3D RTF BLH7100, BLH7100M1

Geräteklasse: 1
equipment class: 1

den grundlegenden Anforderungen des §3 und den übrigen einschlägigen Bestimmungen des FTEG (Artikel 3 der R&TTE), EMV Directive 2004/108/EC und LVD 2006/95/EC entspricht.

complies with the essential requirements of §3 and other relevant provisions of the FTEG (Article 3 of the R&TTE directive), EMC Directive 2004/108/EC and LVD Directive 2006/95/EC.

Angewendete harmonisierte Normen:
Harmonized standards applied:

EN 300 440-1 V1.6.1

EN 300 440-2 V1.4.1

EN 301 489-1 V1.9.2

EN 301 489-3 V1.6.1

EN 60950-1:2006+A11:2009+A1:2010+A12:2011+A2:2013

EN 62479: 2010

EN 55022:2006+A1:2007

EN 55024:1998+A1:2001+A2:2003

EN61000-3-2:2006+A2:2009, EN61000-3-3:2008



Elmshorn,
07 Jan. 2015

Horizon Hobby GmbH: Christian-Junge-Straße 1, 25337 Elmshorn
HR Pi: HRB 1909; UStDNr.: DE812678792; Str.Nr.: 1829812324

Geschäftsführer: Klaus Breer, Bill Vallee Tel.: +49 4121 2655 100 Fax: +49 (0) 4121 2655 111 eMail: info@horizonhobby.de;
Internet: www.horizonhobby.de Es gelten unsere allgemeinen Geschäftsbedingungen, die in unseren Geschäftsräumen eingesehen werden können. Ware bleibt bis zur vollständigen Bezahlung Eigentum der Horizon Hobby GmbH

Bill Vallee
Geschäftsführer
Managing Director

Klaus Breer
Geschäftsführer
Managing Director

Anweisungen zur Entsorgung von Elektro- und Elektronik-Altgeräten für Benutzer in der Europäischen Union



Dieses Produkt darf nicht zusammen mit anderem Abfall entsorgt werden. Stattdessen ist der Benutzer dafür verantwortlich, unbrauchbare Geräte durch Abgabe bei einer speziellen Sammelstelle für das Recycling von unbrauchbaren elektrischen und elektronischen Geräten zu entsorgen. Die separate Sammlung und das Recycling von unbrauchbaren Geräten zum Zeitpunkt der Entsorgung hilft, natürliche Ressourcen zu bewahren und sicherzustellen, dass Geräte auf eine Weise wiederverwertet werden, bei der die menschliche Gesundheit und die Umwelt geschützt werden. Weitere Informationen dazu, wo Sie unbrauchbare Geräte zum Recycling abgeben können, erhalten Sie bei lokalen Ämtern, bei der Müllabfuhr für Haushaltsmüll sowie dort, wo Sie das Produkt gekauft haben.

REMARQUE

La totalité des instructions, garanties et autres documents est sujette à modification à la seule discrétion d'Horizon Hobby, LLC. Pour obtenir la documentation à jour, rendez-vous sur le site horizonhobby.com et cliquez sur l'onglet de support de ce produit.


Signification de certains termes spécifiques

Les termes suivants sont utilisés dans l'ensemble du manuel pour indiquer différents niveaux de danger lors de l'utilisation de ce produit :

REMARQUE : procédures qui, si elles ne sont pas suivies correctement, peuvent entraîner des dégâts matériels ET éventuellement un faible risque de blessures.

ATTENTION : procédures qui, si elles ne sont pas suivies correctement, peuvent entraîner des dégâts matériels ET des blessures graves.

AVERTISSEMENT : procédures qui, si elles ne sont pas suivies correctement, peuvent entraîner des dégâts matériels et des blessures graves OU engendrer une probabilité élevée de blessure superficielle.

 **AVERTISSEMENT** : lisez la TOTALITÉ du manuel d'utilisation afin de vous familiariser avec les caractéristiques du produit avant de le faire fonctionner. Une utilisation incorrecte du produit peut entraîner sa détérioration, ainsi que des risques de dégâts matériels, voire de blessures graves.

Ceci est un produit de loisirs sophistiqué. Il doit être manipulé avec prudence et bon sens et requiert des aptitudes de base en mécanique. Toute utilisation irresponsable de ce produit ne respectant pas les principes de sécurité peut provoquer des blessures, entraîner des dégâts matériels et endommager le produit. Ce produit n'est pas destiné à être utilisé par des enfants sans la surveillance directe d'un adulte. N'essayez pas de démonter le produit, de l'utiliser avec des composants incompatibles ou d'en améliorer les performances sans l'accord d'Horizon Hobby, LLC. Ce manuel comporte des instructions relatives à la sécurité, au fonctionnement et à l'entretien. Il est capital de lire et de respecter la totalité des instructions et avertissements du manuel avant l'assemblage, le réglage et l'utilisation, ceci afin de manipuler correctement l'appareil et d'éviter tout dégât matériel ou toute blessure grave.

14 ans et plus. Ceci n'est pas un jouet.

Précautions et directives liées à la sécurité

- Maintenez toujours une distance de sécurité adéquate dans toutes les directions autour de l'appareil pour éviter tout risque de collision ou de blessure. Cet appareil est contrôlé par signal radio et peut être soumis à des interférences provenant de nombreuses sources hors de votre contrôle. Les interférences peuvent entraîner une perte de contrôle momentanée.
- Utilisez toujours l'appareil dans des espaces dégagés, à l'écart des véhicules, de la circulation et des personnes.
- Respectez toujours scrupuleusement les instructions et avertissements relatifs à l'appareil et à tous les équipements complémentaires optionnels utilisés (chargeurs, packs de batteries rechargeables, etc.).
- Tenez les produits chimiques, les petites pièces et les composants électriques hors de portée des enfants.
- Évitez d'exposer à l'eau tout équipement non conçu et protégé à cet effet. L'humidité endommage les composants électroniques.
- Ne mettez jamais aucune pièce de l'appareil dans votre bouche. Vous vous exposeriez à un risque de blessure grave, voire mortelle.
- N'utilisez jamais l'appareil lorsque les batteries de l'émetteur sont presque vides.
- Gardez toujours l'aéronef en vue et sous contrôle.
- Toujours baisser le manche des gaz lorsque les pales touchent un objet ou le sol.
- Utilisez toujours des batteries complètement chargées.
- N'éteignez jamais l'émetteur lorsque l'aéronef est sous tension.
- Retirez toujours les batteries avant le démontage.
- Nettoyez systématiquement les pièces mobiles.
- Séchez systématiquement les pièces de l'appareil.
- Laissez toujours les pièces refroidir avant de les toucher.
- Retirez systématiquement les batteries après utilisation.
- N'utilisez jamais l'aéronef lorsque les câbles sont endommagés.
- Ne touchez jamais les pièces mobiles.

Table des matières

Spécifications du Blade Nano QX 3D	50	Significations des DELs	59
Caractéristiques du Blade Nano QX 3D	50	Compréhension des commandes de vol de base	60
Contenu de la boîte	50	Pilotage du Nano QX 3D	61
Préparation au premier vol	51	Coupe basse tension (LVC)	61
Procédure de vol	51	Inspections après-vol et Maintenance	61
Avertissements relatifs à la charge	51	Vue éclatée	62
Charge de la batterie	51	Liste des pièces détachées	63
Installation des piles de l'émetteur (RTF)	52	Pièces optionnelles	63
Installation de la batterie	53	Guide de résolution des problèmes de fonctionnement	64
Affectation de l'émetteur et du récepteur	54	Garantie et réparations	66
Technologie SAFE	55	Coordonnées de Garantie et réparations	67
Contrôle de l'émetteur	56	Informations de conformité pour l'Union européenne	68
Sélection du mode de vol et des débrayements (RTF)	57		
Sélection du mode de vol (BNF)	57		
Tableau de configuration émetteur	58		

Spécifications du Blade Nano QX 3D

Longueur	130mm	Poids de vol	27 g
Hauteur	42mm		

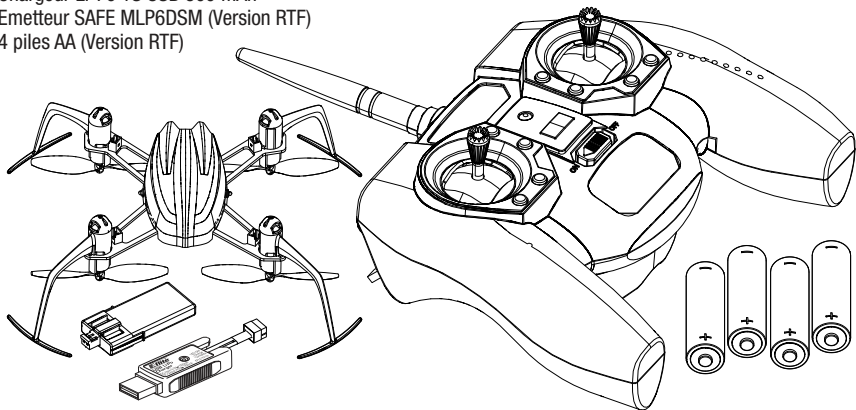
Pour enregistrer votre produit en ligne, veuillez visiter www.bladehelis.com

Caractéristiques du Blade Nano QX 3D

	BNF	RTF
Modèle - Blade Nano QX 3D	Incluse	Incluse
Moteurs - 6mm à balais	Installés	Incluse
Electronique embarquée - Module 4 en 1 Mixage/Varios/Gyros	Installée	Incluse
Batterie - Li-Po 1S 3.7V 200mA 30C	Incluse	Incluse
Chargeur - Li-Po 1S USB 500mAh	Incluse	Incluse
Emetteur - MLP6DSM SAFE Emetteur	Requis	Incluse

Contenu de la boîte

- Blade® Nano QX 3D
- Batterie Li-Po 200mAh 1S 3.7V 30C
- Chargeur Li-Po 1S USB 500 mAh
- Emetteur SAFE MLP6DSM (Version RTF)
- 4 piles AA (Version RTF)



Préparation au premier vol

- Sortez tous les éléments de la boîte et inspectez-les
- Mettez la batterie en charge
- Installez la batterie totalement chargée dans le Nano QX 3D
- Programmez votre émetteur (Version BNF)
- Affectez votre émetteur (Version BNF)
- Familiarisez-vous avec les commandes
- Choisissez un endroit approprié pour le vol

Avertissements relatifs à la charge

Le chargeur (EFLC1013) livré avec votre Quad Copter a été conçu pour charger la batterie Li-Po en toute sécurité.

ATTENTION: les instructions et avertissements doivent être scrupuleusement suivis. Une manipulation non appropriée des batteries Li-Po peut provoquer un incendie, des blessures corporelles et/ou des dégâts matériels.

- Ne laissez jamais sans surveillance des batteries en cours de charge.
- Ne jamais charger les batterie durant la nuit.
- En manipulant, en chargeant ou en utilisant la batterie Li-Po incluse, vous assumez tous les risques associés aux batteries lithium.
- Si la batterie commence à gonfler ou à se dilater, cessez immédiatement de l'utiliser. Si vous étiez en train de la charger ou de la décharger, interrompez la procédure et déconnectez-la. Continuer à utiliser, charger ou décharger une batterie qui gonfle ou se dilate peut provoquer un incendie.
- Pour obtenir les meilleurs résultats, entreposez toujours la batterie à température ambiante, dans un endroit sec.
- Lorsque vous transportez la batterie ou que vous la stockez temporairement, la température doit toujours être comprise entre 5 et 49 °C.
- Ne stockez en aucun cas la batterie ou l'avion dans une voiture ou à un endroit directement exposé à la lumière du soleil. Laissez dans une voiture chaude, la batterie peut se détériorer ou même prendre feu.

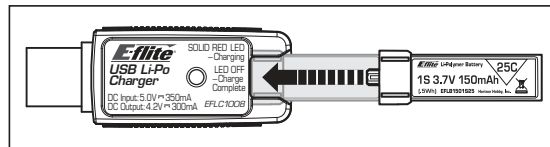
Charge de la batterie

Votre modèle est livré avec un chargeur USB pour batterie Li-Po 1S et une batterie Li-Po 1S 3.7V 200mA 30C. Référez-vous aux précautions relatives à la charge. Il est recommandé d'effectuer la charge durant l'inspection du modèle. La batterie sera nécessaire pour effectuer les étapes de vérification du bon fonctionnement du modèle.

Procédure de vol

- Toujours mettre l'émetteur sous tension en premier**
- Branchez la batterie à la prise du module 4 en 1
- Patientez durant l'initialisation du module 4 en 1
- Effectuez votre vol
- Faites atterrir le modèle
- Débranchez la batterie du module 4 en 1
- Toujours mettre l'émetteur hors tension en dernier**

- Chargez toujours les batteries à distance de tout matériau inflammable.
- Faites toujours l'inspection de la batterie avant la charge, et ne chargez jamais des batteries hors d'usage ou endommagées.
- Déconnectez toujours la batterie après la charge, et laissez le chargeur se refroidir entre les charges.
- Surveillez toujours en continu la température du pack de batteries au cours de la charge.
- UTILISEZ EXCLUSIVEMENT UN CHARGEUR CONÇU SPÉCIFIQUEMENT POUR CHARGER DES BATTERIES LI-PO. Le fait de charger la batterie avec un chargeur non-compatible peut être à l'origine d'un incendie provoquant des blessures corporelles et/ou des dégâts matériels.
- Ne déchargez jamais les cellules Li-Po en dessous de 3 V.
- Ne couvrez jamais les étiquettes d'avertissement avec des bandes auto-agrippantes.
- Ne chargez jamais les batteries sans respecter les niveaux recommandés.
- N'essayez jamais de démonter ou de modifier le chargeur.
- Ne laissez jamais des mineurs charger des packs de batteries.
- Ne chargez jamais les batteries dans des endroits extrêmement chauds ou froids (la plage de températures recommandées se situe entre 5 et 49 °C) et ne les exposez jamais à la lumière directe du soleil.



Charge de la batterie

REMARQUE: Chargez uniquement des batteries froides au toucher et non endommagées. Contrôlez l'état de la batterie pour être sûr qu'elle n'est pas endommagée, gonflée, pliée ou percée.

1. Insérez le chargeur dans un port USB. Le chargeur utilise uniquement le courant fourni par le port USB, il ne s'agit pas d'une liaison avec votre ordinateur. Les alimentations USB, comme celles utilisées pour la charge des téléphones portables peuvent être utilisées.
2. Glissez la batterie dans le port du chargeur et emboîtez-la dans la prise de charge située au fond du port de charge. Le capuchon de la batterie fait office de détrompeur et permet d'éviter l'inversion de polarité (généralement l'étiquette de la batterie est dirigée vers le dessus). Cependant, veuillez toujours contrôler les polarités.
3. Toujours déconnecter la batterie du chargeur immédiatement après la fin de charge.

⚠ ATTENTION : Utilisez uniquement des chargeurs spécifiquement conçus pour charger la batterie Li-Po incluse.

⚠ ATTENTION : Ne jamais dépasser l'intensité de charge recommandée.

Indications de la DEL

Quand la connexion est réussie, la DEL rouge du chargeur s'éclaire fixement, indiquant que la charge a débuté. Il faudra 30-40 minutes pour charger entièrement une batterie 150mA déchargée. La DEL s'éteint quand la charge est terminée.

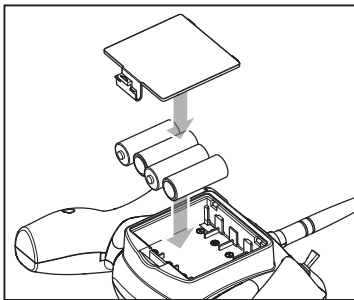
CHARGE: (Rouge fixe)

CHARGE MAX: (OFF)

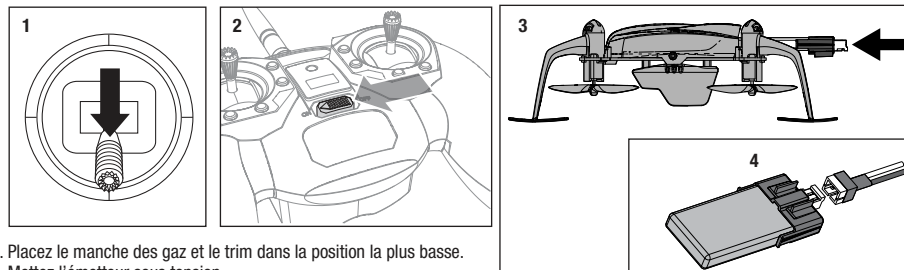
⚠ ATTENTION: Débranchez immédiatement la batterie une fois que la charge est terminée. Ne jamais laisser une batterie connectée au chargeur.

Installation des piles de l'émetteur (RTF)

Installez les piles AA en respectant les polarités. Remplacez les piles quand la DEL de l'émetteur clignote et que le bip retentit.



Installation de la batterie



1. Placez le manche des gaz et le trim dans la position la plus basse.
2. Mettez l'émetteur sous tension.
3. Insérez la batterie dans le quadcoptère en l'insérant dans le support situé sous le module 4 en 1. La batterie s'insère avec l'étiquette dirigée vers le haut, de manière que le détrompeur se fiche dans le support.
4. Connectez le câble du module 4 en 1 à la batterie connecteur représenté.
5. Le quadcoptère peut décoller avec les hélices face au sol ou face au ciel. Placez le quadcoptère sur une surface plane et laissez le modèle immobile jusqu'à l'allumage fixe de la DEL bleue du module 4 en 1.

⚠ ATTENTION: Toujours débrancher la batterie du modèle quand vous ne l'utilisez pas, afin d'éviter une décharge trop importante. Des batteries déchargées à un voltage inférieur à celui recommandé, seront endommagées, elles perdront en performance et pourront entraîner un risque d'incendie durant la charge.

Affectation de l'émetteur et du récepteur

L'affectation est le processus qui programme le récepteur pour qu'il reconnaisse le code (appelé GUID - Globally Unique Identifier) d'un émetteur spécifique. Vous devez affecter l'émetteur Spektrum pour avions à technologie DSM2/DSMX de votre choix au récepteur afin d'assurer un fonctionnement correct. Si vous avez acheté la version RTF, vous n'avez pas à effectuer cette étape.

Pour affecter ou ré-affecter votre quadcoptère à votre émetteur, suivez les instructions suivantes.

Procédure d'affectation

1. Débranchez la batterie du Nano QX 3D.
2. Sélectionnez une mémoire libre dans votre émetteur (émetteur programmable uniquement).
3. Sélectionnez avion ou acro en type de modèle dans votre émetteur.
4. Vérifiez dans votre émetteur que tous les servos sont dans le sens de rotation NORMAL.
5. Placez au neutre tous les trims de l'émetteur.
6. Mettez l'émetteur hors tension et placez tous les interrupteurs sur la position 0. Placez le manche des gaz dans la position la plus basse/gaz coupés.
7. Branchez la batterie, la DEL bleue du module 4 en 1 va se mettre à clignoter après 5 secondes.
8. Mettez votre émetteur en mode affectation (Bind).
9. Relâchez le bouton/interrupteur Bind après 2 ou 3 secondes. Le Nano QX 3D est affecté quand la DEL bleue devient fixe.
10. Débranchez la batterie et mettez l'émetteur hors tension.



ATTENTION : Si vous utilisez un émetteur Futaba® avec un module Spektrum DSM2/DSMX, il vous faudra inverser la voie de la manette des gaz et effectuer à nouveau l'affectation. Référez-vous au manuel d'utilisation du module Spektrum pour les instructions d'affectation et de sécurité failsafe. Référez-vous au manuel d'utilisation de l'émetteur Futaba pour les instructions d'inversion de voie de la manette des gaz.

L'émetteur de la version RTF est livré déjà affecté au modèle. Si vous devez refaire l'affectation, suivez les instructions ci-dessous.

Procédure d'affectation de l'émetteur MLP6DSM

1. Débranchez la batterie quadcoptère.
2. Mettez tous les trims au neutre. Référez-vous à la section relative à l'émetteur pour les instructions concernant les trims.
3. Mettez l'émetteur hors tension et placez le manche des gaz à la position la plus basse/gaz coupés.
4. Connectez la batterie au quadcoptère. La DEL du module 4 en 1 va se mettre à clignoter après 5 secondes.
5. Quand la DEL bleue clignote, appuyez sur le manche de gauche (vous entendrez un click) et maintenez-le tout en mettant l'émetteur sous tension.
6. Relâchez le manche de gauche. L'émetteur va se mettre à bipper et la DEL d'alimentation à clignoter.
7. Le Nano QX 3D est affecté quand la DEL bleue devient fixe.
8. Débranchez la batterie et mettez l'émetteur hors tension.

* La gâchette peut également être utilisée pour effectuer l'affectation.

Si vous rencontrez des difficultés, référez-vous au guide de dépannage. Si nécessaire, contactez votre revendeur ou le service technique Horizon Hobby. Pour consulter la liste des émetteurs compatibles, veuillez visiter www.bindnfly.com.



SAFE Technologie

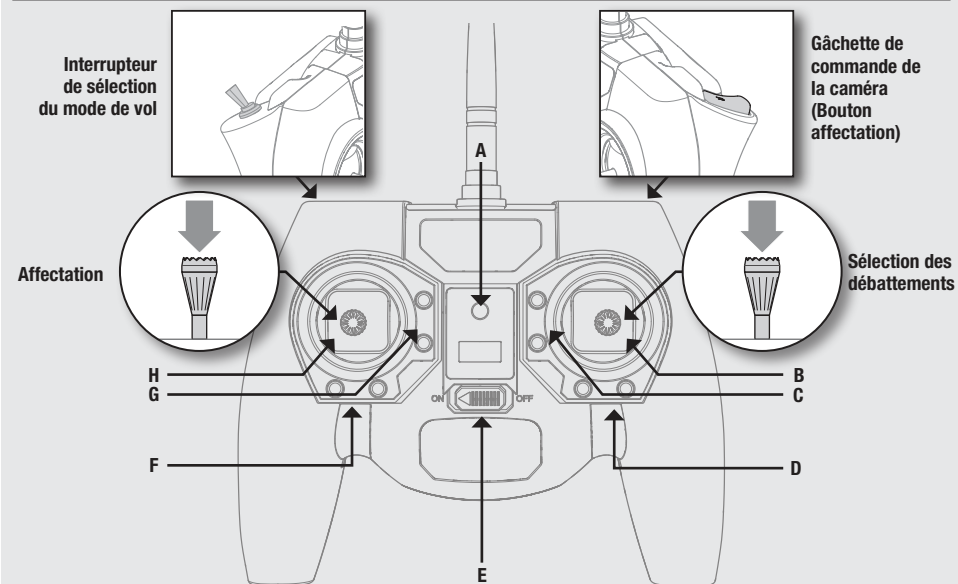
La technologie révolutionnaire SAFE (Système d'entraînement assisté par capteurs) utilise la combinaison de capteurs sur différents axes et un logiciel permettant au modèle de connaître sa position par rapport à l'horizon. Cette reconnaissance de l'espace est utilisée pour générer un domaine de vol sécurisé en limitant les angles afin de piloter en sécurité. Au-delà de la stabilité, cette protection offre de multiples modes au choix du pilote pour développer son niveau de pilotage avec un degré élevé de sécurité tout en conservant toujours les sensations et la réponse.

La technologie SAFE apporte:

- Une protection du domaine de vol qui s'active avec un simple basculement d'un interrupteur.
- Des modes différents pour adapter instantanément la technologie SAFE à votre niveau de pilotage.

Par dessus tout, la technologie SAFE bien que très sophistiquée, ne nécessite aucune opération pour en profiter.

Chaque appareil équipé de la technologie SAFE est livré prêt à l'emploi et est optimisé pour offrir la meilleure expérience de vol possible.
FlySAFERC.com



Lorsqu'ils sont enfoncés, les boutons de trim font un bruit qui augmente ou diminue en intensité à chaque pression. La position intermédiaire ou neutre du trim utilise une tonalité de milieu de gamme. Une série de bips sonores indique la fin de la plage de contrôle.

	A	B	C	D	E	F	G	H
Mode 2	DEL d'alimentation	Aileron (Gauche/Droit) Gouverne de direction (Haut/Bas)	Trim de profondeur	Trim d'aileron	Commutateur ON/OFF	Trim de dérive	Trim des gaz	Manche des gaz (Haut/Bas) Gaz (Haut/Bas)

Le Nano QX 3D RTF est livré avec l'émetteur Blade MLP6DSM.

Cet émetteur possède un interrupteur permettant de choisir entre 3 modes de vol de la technologie SAFE.

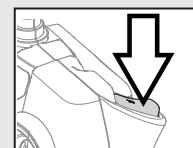
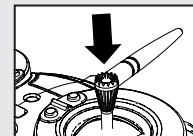
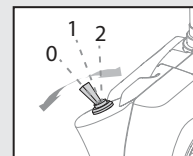
IMPORTANT: Assurez-vous que l'interrupteur de mode de vol est dans la position appropriée avant de débiter le vol.

- Mode débutant (Inter position 0).
Le quadcoptère se remet à plat quand les manches sont relâchés
- Mode intermédiaire (Inter position 1).
Le quadcoptère se remet à plat quand les manches sont relâchés
- Mode EVO (Inter position 2).
Activez uniquement ce mode avant de décoller. Si vous basculez sur ce mode durant le vol, le quadcoptère fonctionnera comme dans le mode 1.

Sensibilité des contrôles- Appuyez sur le manche droit : La DEL de l'émetteur clignote pour indiquer les petits débattements, la DEL de l'émetteur est fixe pour indiquer les grands débattements (Par défaut)

Fonctions commandées par la gâchette

- Mode débutant (0) Flip- Appuyez sur la gâchette pour effectuer un flip à 360°, déplacez le manche de profondeur ou d'aileron en butée dans la direction désirée pour effectuer le flip.
- Mode intermédiaire (1) Retournement- Appuyez sur la gâchette pour retourner le quadcoptère, déplacez le manche de profondeur ou d'aileron en butée dans la direction désirée pour retourner le quadcoptère. Le quadcoptère vole maintenant sur le dos, mais les commandes ne sont pas inversées.
- Mode EVO (2) Coupure moteur- Appuyez sur la gâchette pour stopper les moteurs et effectuer des figures 3D.



Sélection du mode de vol (BNF)

Si vous avez acheté la version BNF du Blade Nano QX 3D, l'interrupteur de la voie 5 de votre émetteur vous permettra de sélectionner le mode de vol. Consultez le *tableau de configuration émetteur* pour des informations spécifiques.

Tableau de configuration émetteur

IMPORTANT: Après avoir programmé votre modèle, toujours effectuer une affectation pour revalider les positions de FailSafe.

Configuration émetteur non programmable (DX4e et DX5e) Avant d'affecter un émetteur non programmable, assurez-vous que les directions des servos sont en position "Normal" et que les trims sont au neutre.

Configuration émetteur programmable Toujours débiter la programmation par la sélection d'une mémoire vierge, type Avion (Acro), puis nommez le modèle.

Réglez les double-débattements : Grands 100%, petits 70%

Emetteur	Type de modèle	Programmation d'Émetteur	Commutateurs et Modes Supportés de Vol
MLP6DSM	N/A	N/A	Voie 5 et 3 modes de vol (0, 1, 2) Flip-Débutant, Retournement-Intermédiaire, Coupure moteur-EVO: Gâchette
DX4e (vieux) avec le commutateur de position 2	N/A	N/A	ACT/AUX et 2 modes de vol (0, 2) Flip-Débutant, Retournement-Intermédiaire, Coupure moteur-EVO: Entraîneur
DX5e (vieux) avec le commutateur de position 2	N/A	N/A	Voie 5 et 2 modes de vol (0, 2) Flip-Débutant, Retournement-Intermédiaire, Coupure moteur-EVO: Entraîneur
DX4e avec le commutateur de position 3	N/A	N/A	Voie 5 et 3 modes de vol (0, 2) Flip-Débutant, Retournement-Intermédiaire, Coupure moteur-EVO: Entraîneur
DX5e avec le commutateur de position 3	N/A	N/A	Voie 5 et 3 modes de vol (0, 2) Flip-Débutant, Retournement-Intermédiaire, Coupure moteur-EVO: Entraîneur
DX6i	Acro	Liste de fonctions Volets : 125% vers le haut 125% vers le bas Mix1 : Gear (train) vers Gear (train) Taux D 0%, U -125% Inter : GEAR Mix2 : Gear vers Gear Taux D 0%, U +125% Inter : ELE D/R Liste des paramètres Reverse: GEAR: R, toutes les autres voies N Throttle Cut : ACT	GEAR (0) ELE D/R (0) = Débutant GEAR (1) ELE D/R (0) = Intermédiaire GEAR (1) ELE D/R (1) = Mode Evo

Emetteur	Type de modèle	Programmation d'Émetteur	Commutateurs et Modes Supportés de Vol
DX7S	Avion	Paramètres système Assignment interrupteur Trainer (écolage) : AUX1 Flap (volets) : Gear (Train) (Toutes les autres : INH) Liste de fonction Servos Inversion AUX1 : R Throttle cut (Coupure moteur) : 0% Inter : MIX1	Interrupteur Flap (Volets) Pos 0: Débutant Pos 1: Intermédiaire Pos 2: Mode Evo
DX8	Avion	Paramètres Servo : Inversion : AUX1 - R, Toutes les autres - N Interrupteurs: Trainer : AUX1, MODE V : Gear Coupure Moteur : 0% Inter : Mix 1	Mode V 3 Modes de vol (0, 1, 2)
DX6, DX9, DX18	Avion	Paramètres système Affectation des voies, [>>] Source des voies Gear (train) : B AUX1 : I Liste des fonctions Servo Inversion AUX1 : R (Toutes les autres - N) Coupure moteur : Pos : -130% Inter : H	Interrupteur B Pos 0: Débutant Pos 1: Intermédiaire Pos 2: Mode Evo

Significations des DELs

Élément	Couleur de la DEL	État de la DEL	Operation
Quadcoptère	Bleue	Clignotement rapide	Mode affectation
		Clignotement	Petits débattements
Emetteur RTF	Rouge	Fixe	Grands débattements

Compréhension des commandes de vol de base

Si vous n'avez pas encore bien assimilé les commandes de votre Nano QX 3D, prenez quelques minutes pour vous familiariser avec elles avant de tenter votre premier vol.

	<p>Throttle (Gaz) (Manche de gauche)</p>	
	<p>Gouverne de direction (Manche de gauche)</p>	
	<p>Profondeur (Manche de droite)</p>	
	<p>Aileron (Manche de droite)</p>	

Pilotage du Nano QX 3D

Décollage

Augmentez les gaz jusqu'à atteindre une altitude de 60cm et ajustez les trims en cas de dérive du modèle.

Avant de tenter un stationnaire au raz du sol, vous devez vérifier que le Nano QX 3D ne glisse pas, sinon effectuer les corrections à l'aide des trims. Si vous trouvez que le modèle glisse trop sans agir sur les manches, faites-le atterrir avant d'effectuer les corrections aux trims.

- Si le nez du Nano QX 3D pivote vers la gauche ou la droite, ajuster le trim de dérive.
- Si le Nano QX 3D glisse vers l'avant ou l'arrière, ajustez le trim de profondeur.
- Si le Nano QX 3D glisse vers la gauche ou la droite, ajustez le trim d'aileron.

La batterie incluse permet d'effectuer des temps de vol de durées comprises entre 5 et 10 minutes.

Coupe basse tension (LVC)

Le LVC diminue l'alimentation des moteurs quand la tension de la batterie diminue. Quand vous remarquez une perte de puissance et que les DELs bleue et rouge du module 4 en 1 s'allument fixement, veuillez poser le modèle immédiatement et recharger la batterie.

Le LVC n'empêche pas la décharge de la batterie durant le stockage.

REMARQUE: Les vols répétés jusqu'à l'enclenchement du LVC endommageront la batterie.

Astuce : N'ayez pas peur de couper les gaz pour éviter d'endommager les hélices quand le Nano QX 3D s'approche trop près d'un mur ou d'un obstacle.

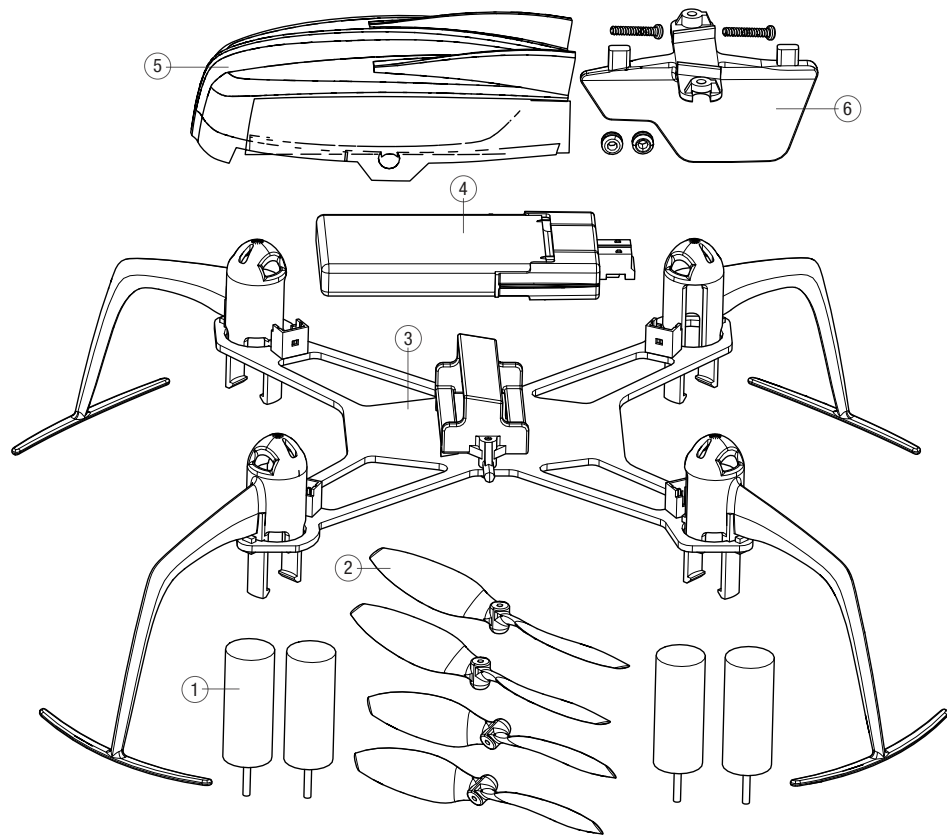
Astuce : Toutes ces figures sont possibles avec l'émetteur RTF. Si vous utilisez un émetteur programmable, vérifiez que vous avez bien 100% de course sur les voies d'ailerons, dérive et profondeur, afin d'avoir un contrôle optimal.

Atterrissage

Pour effectuer l'atterrissage, baissez progressivement le manche des gaz quand vous êtes en stationnaire à faible altitude. Déconnectez et retirez la batterie de l'appareil après utilisation afin d'éviter une décharge trop importante de la batterie. Chargez complètement la batterie avant de la stocker. Contrôlez régulièrement la tension de la batterie durant le stockage, la tension ne doit jamais descendre sous 3V par élément.

Inspections après-vol et Maintenance

✓	
Nettoyage	Assurez-vous que la batterie n'est pas connectée avant d'entreprendre le nettoyage. A l'aide d'une brosse douce ou d'un chiffon sec non-pelucheux, enlevez la poussière et les débris.
Moteurs	Remplacez le moteur quand le modèle devient instable ou qu'il vire lors de prise d'altitude.
Câblage	Assurez-vous que les câbles ne bloquent pas de pièces en mouvement. Remplacez tout câble endommagé et tout connecteur devenu lâche.
Pièces servant à la fixation	Assurez-vous de l'absence de toute vis, bride ou connecteur desserré. Ne pas serrer excessivement des vis métalliques dans des pièces en plastique. Serrez les vis de façon à ce que les pièces soient parfaitement jointives, et ne donner ensuite qu'1/8ème de tour supplémentaire.
Rotors	Vérifiez l'absence de tout dommage au niveau des pales de rotor et des pièces en mouvement à vitesse élevée. Citez, au nombre des dommages que peuvent présenter ces pièces : fentes, criques, bavures ou rayures. Remplacez les pièces endommagées avant d'effectuer un vol.



Part #	Description
1	BLH7102 Moteurs (4) : Nano QX 3D
2	BLH7105 Hélices (4) : Nano QX 3D
3	BLH7106 Châssis Nano QX 3D
4	EFLB2001S30 Batterie Li-Po 1S 3.7V 200mA
5	BLH7103 Bulle supérieure : Nano QX 3D
6	BLH7104 Dérive inférieure : Nano QX 3D
	EFLH1063 Emetteur MLP6DSM SAFE
	BLH7101 Module 4 en 1 : Nano QX 3D
	EFLC1013 Chargeur USB Li-Po 1S, 500mA : Nano QX 3D

Pièces optionnelles

Part #	Description
EFLC1006	Chargeur Celectra Li-Po 1S 3.7V DC à intensité de charge réglable.
	DX5e 5 voies DSMX émetteur seul
	DX6i 6 voies DSMX émetteur seul
	DX6 6 voies DSMX émetteur seul
	DX7s 7 voies DSMX émetteur seul

Part #	Description
	DX8 8 voies DSMX émetteur seul
	DX9 9 voies DSMX émetteur seul
	DX18 18 voies DSMX émetteur seul

Guide de résolution des problèmes

Problème	Cause possible	Solution
Le Nano QX 3D répond de façon incorrecte ou nécessite l'ajout de trim pour arrêter le mouvement	L'appareil n'a pas été initialisé sur une surface à niveau	Déconnectez la batterie, remplacez les trims au neutre et réinitialisez le quadcoptère
	La batterie n'est pas correctement placée dans son support	Placez la batterie de façon à obtenir l'équilibre au centre de son châssis
Le Nano QX 3D ne répond pas aux gaz	Le manche des gaz et/ou le trim est également trop haut	Baissez le manche des gaz et placez le trim à la valeur la plus basse
	Le Nano QX 3D a été déplacé durant l'initialisation	Débranchez, puis rebranchez la batterie afin d'initialiser le Nano QX 3D en prenant soin de ne pas le déplacer durant cette opération
	La voie des gaz est inversée	Débranchez la batterie, inversez la voie des gaz, puis rebranchez la batterie
Le Nano QX 3D ne fonctionne pas et dégage une odeur de brûlé après avoir branché la batterie	La polarité de la batterie n'a pas été respectée	Remplacez le module 4 en 1. Branchez la batterie en respectant la polarité
Le Nano QX 3D a une autonomie et une puissance réduite	La batterie n'est pas totalement chargée	Rechargez totalement la batterie
	Le chargeur n'est pas correctement alimenté	Utilisez une autre prise USB pour alimenter le chargeur
	La batterie est endommagée	Remplacez la batterie en respectant les caractéristiques
	La température est peut-être basse	Vérifiez que la batterie est à température ambiante (20°) avant de l'utiliser

Problème	Cause possible	Solution
La DEL du module clignote rapidement et l'appareil ne répond pas aux commandes. (durant l'affectation)	L'émetteur est trop près de l'appareil durant l'affectation	Mettez l'émetteur hors tension. Eloignez-le de l'appareil. Débranchez puis rebranchez la batterie. Suivez les instructions d'affectation
	Le bouton ou l'interrupteur d'affectation n'a pas été maintenu durant la mise sous tension de l'émetteur	Mettez l'émetteur hors tension et répétez le processus d'affectation
	L'appareil ou l'émetteur se trouve trop proche d'un grand objet métallique, d'un réseau sans fil ou d'un autre émetteur	Placez l'avion et l'émetteur à un autre emplacement et retentez l'affectation
La DEL du module clignote rapidement et l'appareil ne répond pas aux commandes (après l'affectation)	Moins de 5 secondes se sont écoulées entre l'allumage de l'émetteur et la connexion de la batterie de vol sur le Nano QX 3D	Laissez l'émetteur sous tension. Débranchez puis rebranchez la batterie du Nano QX 3D
	Le Nano QX 3D est affecté à une mémoire de modèle différente (radios ModelMatch uniquement)	Sélectionnez la mémoire de modèle correcte sur l'émetteur. Débranchez puis rebranchez la batterie du Nano QX 3D
	Charge des batteries de l'émetteur trop faible	Remplacez ou chargez les batteries de l'émetteur
Crash immédiatement après avoir décollé	L'appareil ou l'émetteur se trouve trop proche d'un grand objet métallique, d'un réseau sans fil ou d'un autre émetteur	Placez l'avion et l'émetteur à un autre emplacement et retentez la connexion
	Les hélices ne sont pas correctement placées ou vous n'avez pas sélectionné la bonne configuration	Effectuez les modifications nécessaires

Garantie et réparations

Durée de la garantie

Garantie exclusive - Horizon Hobby, LLC (Horizon) garantit que le Produit acheté (le « Produit ») sera exempt de défauts matériels et de fabrication à sa date d'achat par l'Acheteur. La durée de garantie correspond aux dispositions légales du pays dans lequel le produit a été acquis. La durée de garantie est de 6 mois et la durée d'obligation de garantie de 18 mois à l'expiration de la période de garantie.

Limitations de la garantie

- La garantie est donnée à l'acheteur initial (« Acheteur ») et n'est pas transférable. Le recours de l'acheteur consiste en la réparation ou en l'échange dans le cadre de cette garantie. La garantie s'applique uniquement aux produits achetés chez un revendeur Horizon agréé. Les ventes faites à des tiers ne sont pas couvertes par cette garantie. Les revendications en garantie seront acceptées sur fourniture d'une preuve d'achat valide uniquement. Horizon se réserve le droit de modifier les dispositions de la présente garantie sans avis préalable et révoque alors les dispositions de garantie existantes.
- Horizon n'endosse aucune garantie quant à la vendabilité du produit ou aux capacités et à la forme physique de l'utilisateur pour une utilisation donnée du produit. Il est de la seule responsabilité de l'acheteur de vérifier si le produit correspond à ses capacités et à l'utilisation prévue.
- Recours de l'acheteur – Il est de la seule discrétion d'Horizon de déterminer si un produit présentant un cas de garantie sera réparé ou échangé. Ce sont là les recours exclusifs de l'acheteur lorsqu'un défaut est constaté.

Horizon se réserve la possibilité de vérifier tous les éléments utilisés et susceptibles d'être intégrés dans le cas de garantie. La décision de réparer ou de remplacer le produit est du seul ressort d'Horizon. La garantie exclut les défauts esthétiques ou les défauts provoqués par des cas de force majeure, une manipulation incorrecte du produit, une utilisation incorrecte ou commerciale de ce dernier ou encore des modifications de quelque nature qu'elles soient.

La garantie ne couvre pas les dégâts résultant d'un montage ou d'une manipulation erronés, d'accidents ou encore du fonctionnement ainsi que des tentatives d'entretien ou de réparation non effectuées par Horizon. Les retours effectués par le fait de l'acheteur directement à Horizon ou à l'une de ses représentations nationales requièrent une confirmation écrite.

Limitation des dégâts

Horizon ne saurait être tenu pour responsable de dommages conséquents directs ou indirects, de pertes de revenus ou de pertes commerciales, liés de quelque manière que ce soit au produit et ce, indépendamment du fait qu'un recours puisse être formulé en relation avec un contrat, la garantie ou l'obligation de garantie. Par ailleurs, Horizon n'acceptera pas de recours issus d'un cas de garantie lorsque ces recours dépassent la valeur unitaire du produit. Horizon n'exerce aucune influence sur le montage, l'utilisation ou la maintenance du produit ou sur d'éventuelles combinaisons de produits choisies par l'acheteur. Horizon ne prend en compte aucune garantie et n'accepte aucun recours pour les blessures ou les dommages pouvant en résulter. En utilisant et en montant le produit, l'acheteur accepte sans restriction ni réserve toutes les dispositions relatives à la garantie figurant dans le présent document.

Si vous n'êtes pas prêt, en tant qu'acheteur, à accepter ces dispositions en relation avec l'utilisation du produit, nous vous demandons de restituer au vendeur le produit complet, non utilisé et dans son emballage d'origine.

Indications relatives à la sécurité

Ceci est un produit de loisirs perfectionné et non un jouet. Il doit être utilisé avec précaution et bon sens et nécessite quelques aptitudes mécaniques ainsi que mentales. L'incapacité à utiliser le produit de manière sûre et raisonnable peut provoquer des blessures et des dégâts matériels conséquents. Ce produit n'est pas destiné à être utilisé par des enfants sans la surveillance par un tuteur. La notice d'utilisation contient des indications relatives à la sécurité ainsi que des indications concernant la maintenance et le fonc-

tionnement du produit. Il est absolument indispensable de lire et de comprendre ces indications avant la première mise en service. C'est uniquement ainsi qu'il sera possible d'éviter une manipulation erronée et des accidents entraînant des blessures et des dégâts.

Questions, assistance et réparations

Votre revendeur spécialisé local et le point de vente ne peuvent effectuer une estimation d'éligibilité à l'application de la garantie sans avoir consulté Horizon. Cela vaut également pour les réparations sous garantie. Vous voudrez bien, dans un tel cas, contacter le revendeur qui conviendra avec Horizon d'une décision appropriée, destinée à vous aider le plus rapidement possible.

Maintenance et réparation

Si votre produit doit faire l'objet d'une maintenance ou d'une réparation, adressez-vous soit à votre revendeur spécialisé, soit directement à Horizon. Emballez le produit soigneusement. Veuillez noter que le carton d'emballage d'origine ne suffit pas, en règle générale, à protéger le produit des dégâts pouvant survenir pendant le transport. Faites appel à un service de messagerie proposant une fonction de suivi et une assurance, puisque Horizon ne prend aucune responsabilité pour l'expédition du produit jusqu'à sa réception acceptée. Veuillez joindre une preuve d'achat, une description détaillée des défauts ainsi qu'une liste de tous les éléments distincts envoyés. Nous avons de plus besoin d'une adresse complète, d'un numéro de téléphone (pour demander des renseignements) et d'une adresse de courriel.

Coordonnées de Garantie et réparations

Pays d'achat	Horizon Hobby	Numéro de téléphone/Courriel	Adresse
France	Service/Parts/Sales: Horizon Hobby SAS	infofrance@horizonhobby.com +33 (0) 1 60 18 34 90	11 Rue Georges Charpak 77127 Lieusaint, France

Garantie et réparations

Les demandes en garantie seront uniquement traitées en présence d'une preuve d'achat originale émanant d'un revendeur spécialisé agréé, sur laquelle figurent le nom de l'acheteur ainsi que la date d'achat. Si le cas de garantie est confirmé, le produit sera réparé. Cette décision relève uniquement de Horizon Hobby.

Réparations payantes

En cas de réparation payante, nous établissons un devis que nous transmettons à votre revendeur. La réparation sera seulement effectuée après que nous ayons reçu la confirmation du revendeur. Le prix de la réparation devra être acquitté au revendeur. Pour les réparations payantes, nous facturons au minimum 30 minutes de travail en atelier ainsi que les frais de réexpédition. En l'absence d'un accord pour la réparation dans un délai de 90 jours, nous nous réservons la possibilité de détruire le produit ou de l'utiliser autrement.

ATTENTION: nous n'effectuons de réparations payantes que pour les composants électroniques et les moteurs. Les réparations touchant à la mécanique, en particulier celles des hélicoptères et des voitures radiocommandées, sont extrêmement coûteuses et doivent par conséquent être effectuées par l'acheteur lui-même.

Informations de conformité pour l'Union européenne

Declaration of Conformity

(conformément à la norme ISO/IEC 17050-1)

No. HH2015010703

Produit(s): Blade Nano QX 3D BNF

Numéro(s) d'article: BLH7180

Catégorie d'équipement: 1

L'objet de la déclaration décrit ci-dessus est en conformité avec les exigences des spécifications énumérées ci-après, suivant les conditions des directives ETRT 1999/5/CE et CEM 2004/108/EC:

EN 301 489-1 V1.9.2

EN 301 489-3 V1.6.1

EN 55022:2006+A1:2007

EN 55024:1998+A1:2001+A2:2003

EN 61000-3-2: 2006+A2:2009, EN 61000-3-3: 2008

Declaration of Conformity

(conformément à la norme ISO/IEC 17050-1)

No. HH2015010702

Produit(s): Blade Nano QX 3D RTF

Numéro(s) d'article: BLH7100, BLH7100M1

Catégorie d'équipement: 1

L'objet de la déclaration décrit ci-dessus est en conformité avec les exigences des spécifications énumérées ci-après, suivant les conditions des directives ETRT 1999/5/CE, CEM 2004/108/EC, et LVD 2006/95/EC:

EN 300 440-1 V1.6.1

EN 300 440-2 V1.4.1

EN 301 489-1 V1.9.2

EN 301 489-3 V1.6.1

EN 60950-1:2006+A11:2009+A1:2010+A12:2011+A2:2013

EN 62479: 2010

EN 55022:2006+A1:2007

EN 55024:1998+A1:2001+A2:2003

EN61000-3-2:2006+A2:2009, EN61000-3-3:2008



Signé en nom et
pour le compte de:
Horizon Hobby, LLC
Champaign, IL USA
7 janv. 2015

Bill Vallee
Vice-Président, Directeur Général
Gestion Internationale des
Activités et des Risques
Horizon Hobby, LLC



Signé en nom et
pour le compte de:
Horizon Hobby, LLC
Champaign, IL USA
7 janv. 2015

Bill Vallee
Vice-Président, Directeur Général
Gestion Internationale des
Activités et des Risques
Horizon Hobby, LLC

Elimination dans l'Union Européenne



Ce produit ne doit pas être éliminé avec les ordures ménagères. Il est de la responsabilité de l'utilisateur de remettre le produit à un point de collecte officiel des déchets d'équipements électriques. Cette procédure permet de garantir le respect de l'environnement et une meilleure gestion des ressources naturelles. Elle protège de plus le bien-être de la communauté humaine.

Pour plus d'informations quant aux lieux d'éliminations des déchets d'équipements électriques, vous pouvez contacter votre mairie ou le service local de traitement des ordures ménagères.

AVVISO

Tutte le istruzioni, le garanzie e gli altri documenti pertinenti sono soggetti a cambiamenti a totale discrezione di Horizon Hobby, LLC. Per una documentazione aggiornata sul prodotto, visitare il sito horizonhobby.com e fare clic sulla sezione Support del prodotto.

Convenzioni terminologiche

Nella documentazione relativa al prodotto vengono utilizzati i seguenti termini per indicare i vari livelli di pericolo potenziale durante l'uso del prodotto:

AVVISO: indica procedure che, se non debitamente seguite, possono determinare il rischio di danni alle cose E il rischio minimo o nullo di lesioni alle persone.

ATTENZIONE: indica procedure che, se non debitamente seguite, determinano il rischio di danni alle cose E di gravi lesioni alle persone.

AVVERTENZA: indica procedure che, se non debitamente seguite, determinano il rischio di danni alle cose, danni collaterali e gravi lesioni alle persone O il rischio elevato di lesioni superficiali alle persone.

 **AVVERTENZA:** leggere TUTTO il manuale di istruzioni e familiarizzare con le caratteristiche del prodotto prima di farlo funzionare. Un uso improprio del prodotto può causare danni al prodotto stesso e alle altre cose e gravi lesioni alle persone.

Questo aeromodello è un prodotto sofisticato per appassionati di modellismo. Deve essere azionato in maniera attenta e responsabile e richiede alcune conoscenze basilari di meccanica. L'uso improprio o irresponsabile di questo prodotto può causare lesioni alle persone e danni al prodotto stesso o alle altre cose. Questo prodotto non deve essere utilizzato dai bambini senza la diretta supervisione di un adulto. Non tentare in nessun caso di smontare il prodotto, di utilizzarlo con componenti non compatibili o di potenziarlo senza previa approvazione di Horizon Hobby, LLC. Questo manuale contiene le istruzioni per la sicurezza, l'uso e la manutenzione del prodotto. È fondamentale leggere e seguire tutte le istruzioni e le avvertenze del manuale prima di montare, impostare o utilizzare il prodotto, al fine di utilizzarlo correttamente e di evitare di causare danni alle cose o gravi lesioni alle persone.

Almeno 14 anni. Non è un giocattolo.

Ulteriori precauzioni per la sicurezza e avvertenze

- Mantenere sempre un perimetro di sicurezza intorno al modello per evitare collisioni o ferite. Questo modello funziona con comandi radio soggetti alle interferenze di altri dispositivi non controllabili dall'utente. Le interferenze possono provocare una momentanea perdita di controllo.
- Utilizzare sempre l'aeromodello in spazi aperti liberi da veicoli, traffico o persone.
- Seguire sempre scrupolosamente le istruzioni e le avvertenze relative all'aeromodello e a tutti gli accessori (caricabatterie, pacchi batterie ricaricabili ecc.).
- Tenere sempre le sostanze chimiche, i componenti di piccole dimensioni e i componenti elettrici fuori dalla portata dei bambini.
- Evitare sempre il contatto con l'acqua di tutti i dispositivi che non sono stati specificatamente progettati per funzionare in acqua. L'umidità danneggia le parti elettroniche.
- Non mettere in bocca alcun componente dell'aeromodello poiché potrebbe causare lesioni gravi o persino la morte.
- Non far volare l'aeromodello se le batterie del trasmettitore sono poco cariche.
- Tenere sempre l'aeromodello a vista e sotto controllo.
- Agire sempre sull'interruttore di spegnimento del motore se l'elicottero perde il controllo o rischia di cadere.
- Utilizzare sempre batterie completamente cariche.
- Tenere sempre acceso il trasmettitore mentre l'aeromodello è alimentato.
- Rimuovere sempre le batterie prima dello smontaggio.
- Tenere sempre pulite le parti mobili.
- Tenere sempre asciutte le parti.
- Lasciare sempre raffreddare le parti dopo l'uso prima di toccarle.
- Rimuovere sempre le batterie dopo l'uso.
- Non far volare mai l'aeromodello con il cablaggio danneggiato.
- Non toccare mai le parti mobili.

Indice

Dati e Caratteristiche Blade Nano QX 3.....	72	Codici LED.....	81
Preparazione al primo volo.....	73	Informazioni sui comandi di volo principali.....	82
Lista dei controlli prevolo.....	73	Il modello Nano QX 3D in volo.....	83
Carica della batteria.....	73	Spegnimento per bassa tensione (LVC).....	83
Montare le pile nel trasmettitore (RTF).....	74	Ispezioni dopo il volo e manutenzione.....	83
Montaggio della batteria di bordo.....	75	Vista esplosa.....	84
Connessione (binding) fra trasmettitore e ricevitore.....	76	Elenco delle parti.....	85
Tecnologia SAFE.....	77	Componenti opzionali.....	85
Controllo trasmettitore.....	78	Guida alla soluzione dei problemi.....	86
Scelta della modalità di volo e della corsa (RTF).....	79	Garanzia.....	88
Scelta della modalità di volo.....	79	Garanzia e Assistenza - Informazioni per i contatti.....	89
Tabella impostazioni trasmettitore.....	80	Informazioni sulla conformità per l'Unione Europea.....	90

Dati Blade Nano QX 3D

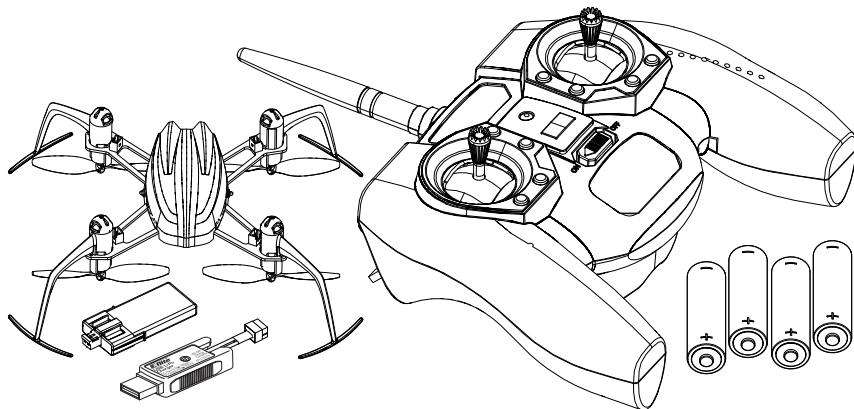
Lunghezza	130mm	Peso in volo	27 g
Altezza	42mm	Per registrare il prodotto online, visitare il sito www.bladehelis.com	

Caratteristiche Blade Nano QX 3D

	RTF	BNF
Telaio - Blade Nano QX 3D	Incluso	Incluso
Motori - 6mm con spazzole	Installati	Installati
Elettronica a bordo - Mixer/ESC/gyro 4 in 1	Installata	Installata
Batteria - 200mAh 1S 3.7V 30C Li-Po	Inclusa	Inclusa
Caricatore - 1S USB Li-Po, 500 mAh	Incluso	Incluso
Trasmettitore - MLP4DSM	Incluso	Venduto separatamente

Contenuto del Kit

- Blade® Nano QX 3D
- Batteria 200mAh 1S 3.7V 30C Li-Po
- Caricatore 1S USB Li-Po, 500 mAh
- Trasmettitore MLP6DSM SAFE (Solo RTF)
- 4 pile AA (Solo RTF)



Preparazione al primo volo

- Togliere il contenuto dalla scatola e controllarlo
- Iniziare a caricare la batteria di volo
- Montare la batteria sul Quad-Copter (dopo averla ben caricata)
- Programmare il trasmettitore computerizzato (solo BNF)
- Connettere (bind) il vostro trasmettitore (solo BNF)
- Familiarizzare con i comandi
- Trovare un'area adatta al volo

Avvertenze e istruzioni per le batterie

Il caricabatterie (EFLC1013) incluso nella confezione del Quad-Copter è stato concepito per caricare in sicurezza la batteria Li-Po in dotazione.

⚠ ATTENZIONE: seguire attentamente le istruzioni e le avvertenze allegate. L'uso improprio delle batterie Li-Po può provocare incendi, causare lesioni alle persone e/o danni alle cose.

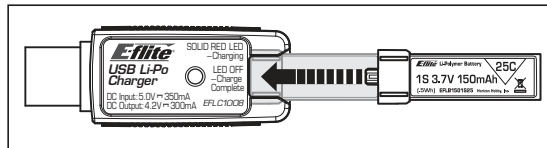
- **Non lasciare mai incustodite le batterie in carica.**
- **Non caricare mai le batterie durante la notte.**
- L'installazione, la carica e l'uso della batteria Li-Po inclusa comportano l'assunzione da parte dell'utente di tutti i rischi associati alle batterie al litio.
- Se durante la carica si forma un rigonfiamento della batteria, interrompere immediatamente l'uso. Se si sta caricando o scaricando la batteria, scollegarla e ricollegarla. Il tentativo di utilizzare, caricare o scaricare una batteria che ha iniziato a gonfiarsi può dare origine a incendi.
- Per una conservazione ottimale, collocare sempre la batteria in un luogo asciutto a temperatura ambiente.
- Durante il trasporto o la conservazione temporanea, la temperatura della batteria deve essere sempre compresa tra 5 e 49 °C. Non conservare la batteria o l'aeromodello in auto o sotto la luce diretta del sole. Se conservata all'interno di un'auto surriscaldata, la batteria potrebbe danneggiarsi o addirittura incendiarsi.
- Caricare sempre le batterie lontano da materiali infiammabili.
- Controllare sempre la batteria prima di caricarla e non caricare mai batterie danneggiate.
- Utilizzare solo caricabatterie specificatamente progettati per caricare batterie Li-Po. La carica effettuata con caricabatterie non compatibili può provocare incendi, causare lesioni alle persone e/o danni materiali.
- Controllare costantemente la temperatura del pacco batterie durante la carica.
- Scollegare sempre la batteria dopo la carica e lasciare raffreddare il caricabatterie tra una carica e l'altra.
- Le celle Li-Po non devono essere mai scaricate sotto i 3V in condizioni di carico.
- Non coprire mai le etichette di avvertenza con ganci o bandelle.
- Non caricare mai le batterie a livelli al di fuori di quelli raccomandati.
- Caricare soltanto batterie che risultano fredde al tatto.
- Non tentare mai di smontare o alterare il caricabatterie.
- Non lasciare mai caricare i pacchi batterie a minori.
- Non caricare mai le batterie in ambienti estremamente caldi o freddi (la temperatura consigliata è compresa tra 5 e 49 °C) né collocarle sotto la luce diretta del sole.

Carica della batteria

Carica della batteria Questo velivolo viene fornito con una batteria LiPo 1S 3.7V 200mAh 30C e un caricatore adatto. Fare riferimento alle avvertenze per la carica. Si raccomanda di caricare la batteria mentre si ispeziona il modello perché di seguito verrà chiesto di verificare alcune funzioni in cui serve la batteria carica.

Lista dei controlli prevolo

- Accendere sempre prima il trasmettitore**
- Collegare la batteria di volo al cavo proveniente dall'unità di controllo 4-in-1
- Attendere che l'unità di controllo 4-in-1 si inizializzi e si armi
- Far volare il modello
- Far atterrare il modello
- Scollegare la batteria di bordo dall'unità di controllo
- Spegnerne sempre il trasmettitore per ultimo**



Carica della batteria

AVVISO: caricare solo batterie che siano fredde al tatto e che non siano danneggiate. Controllare la batteria per verificare che non sia gonfia, piegata, rotta o bucata.

1. Inserire il caricatore in una porta USB. Esso userà solo l'alimentazione ma non si collegherà al computer. Si possono usare anche alimentatori USB come quelli usati per caricare i telefoni.
2. Inserire la batteria nella sua fessura sul caricatore e premere per inserire il connettore nella parte inferiore. Il terminale della batteria è fatto in modo da inserirsi solo in un verso (normalmente con l'etichetta rivolta all'esterno) per impedire le inversioni di polarità. Comunque verificare sempre il corretto allineamento e la polarità.
3. Scollegare sempre la batteria dal caricatore immediatamente dopo il termine della carica.

ATTENZIONE: usare solo caricatori progettati specificamente per queste batterie LiPo. In caso contrario si potrebbero incendiare procurando danni.

ATTENZIONE: non superare le correnti di carica raccomandate.

Indicazioni dei LED

Se si fanno correttamente tutti i collegamenti, il LED sul caricatore si accende in rosso, indicando che la carica è iniziata. Per caricare una batteria scarica (non sovra scaricata) da 150mAh ci vogliono circa 30-40 minuti. Il LED si spegne quando la carica è terminata.

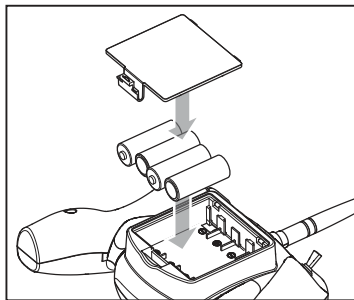
Carica in corso (accesso rosso)

Carica massima (spento)

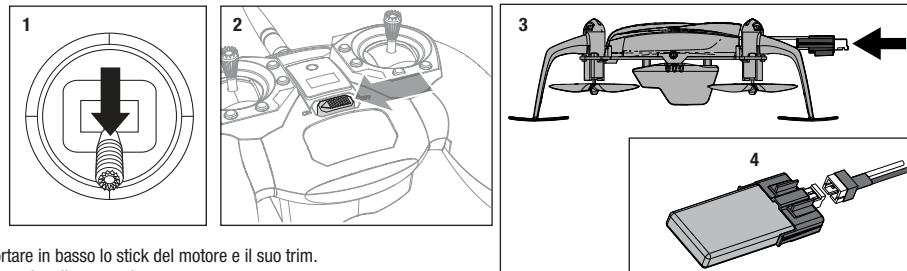
ATTENZIONE: quando la carica è terminata, scollegare subito la batteria dal caricatore.

Montare le pile nel trasmettitore (RTF)

Inserire le pile AA nel trasmettitore facendo attenzione alla polarità. Bisogna sostituirle quando il LED lampeggia e si attiva un allarme sonoro (beep).



Montaggio della batteria di bordo



1. Portare in basso lo stick del motore e il suo trim.
2. Accendere il trasmettitore.
3. Installare la batteria sul quadricottero inserendo la batteria nella sua sede sotto all'unità di controllo 4 in 1. Inserire la batteria con l'etichetta rivolta verso l'alto in modo da far combaciare il riferimento della batteria nella sua sede.
4. Collegare il cavo della batteria all'unità di controllo 4 in 1, connettore come illustrato.
5. Il quadricottero può decollare con le eliche rivolte verso il basso o verso l'alto. Mettere il quadricottero su di una superficie piana e aspettare che il LED dell'unità di controllo 4 in 1 diventi blu fisso (non lampeggiante).

ATTENZIONE: scollegare sempre la batteria LiPo dall'aereo quando non si deve volare, per evitare di sovraccaricarla. Le batterie scaricate al di sotto della soglia minima approvata, si potrebbero danneggiare perdendo capacità o anche incendiarsi quando si tenta di ricaricarle.

Connessione (binding) fra trasmettitore e ricevitore

È una procedura che permette di programmare il ricevitore dell'unità di controllo a riconoscere il codice unico GUID del trasmettitore con tecnologia Spektrum o DSM/DSMX. Se si acquista la versione RTF, il trasmettitore è già connesso al ricevitore in fabbrica.

Per connettere (bind) o riconnettere il quadricottero al trasmettitore scelto, si prega di osservare le seguenti indicazioni.

Procedura generale per la connessione (binding)

1. Scollegare la batteria dal Quad-Copter.
2. Scegliere una memoria libera sul trasmettitore (solo modelli computerizzati).
3. Scegliere l'aereo come tipo di modello.
4. Controllare che tutti i reverse dei servi siano su "normal".
5. Centrare tutti i trim sul trasmettitore.
6. Spegnerne il trasmettitore e posizionare tutti gli interruttori sulla posizione 0. Portare lo stick del motore completamente in basso.
7. Collegare la batteria sul Quad-Copter. Il LED blu sull'unità di controllo 4-in-1 lampeggia dopo 5 secondi.
8. Mettere il trasmettitore nel modo "bind" e accenderlo.
9. Rilasciare il pulsante/interruttore di "bind" dopo 2-3 secondi. Il Quad-Copter è connesso quando il LED blu sull'unità di controllo resta acceso con luce fissa.
10. Scollegare la batteria dal modello e spegnere il trasmettitore.



ATTENZIONE: Quando si utilizza un trasmettitore Futaba® con un modulo Spektrum DSM, è necessario invertire il canale del gas ed effettuare nuovamente il Binding. Consultare il manuale del vostro modulo Spektrum per settare nuovamente il Bind ed il FailSafe. Consultate il manuale della vostra trasmittente per effettuare l'inversione del canale del gas.

Il trasmettitore RTF viene fornito già connesso al modello. Se serve rifare la connessione, si prega di osservare le seguenti indicazioni.

Procedura di "binding" con trasmettitore MLP4DSM

1. Scollegare la batteria dal Quad-Copter.
2. Centrare tutti i trim sul trasmettitore. Far riferimento alle istruzioni riguardanti i trim.
3. Spegnerne il trasmettitore e portare lo stick del motore completamente in basso.
4. Collegare la batteria di bordo al quadricottero. Il LED dell'unità di controllo 4 in 1 lampeggia in rosso durante l'inizializzazione, poi lampeggia in blu quando è pronto per la connessione (bind).
5. Quando il LED blu lampeggia, spingere e tenere premuto lo stick di sinistra mentre si accende il trasmettitore (si dovrà sentire un "click").
6. Rilasciare lo stick di sinistra. Il trasmettitore emette un beep e il suo LED lampeggia.
7. Il Quad-Copter è connesso quando il LED blu sull'unità di controllo resta acceso con luce fissa.
8. Scollegare la batteria dal modello e spegnere il trasmettitore.

Se si incontrassero problemi, osservare le istruzioni per il "binding" e far riferimento alla guida per la soluzione dei problemi per ulteriori istruzioni. Se necessario contattare il servizio assistenza Horizon. Per un elenco completo dei trasmettitori DSM compatibili visitare il sito www.bindnfly.com.



SAFE Tecnologia

La rivoluzionaria tecnologia SAFE usa una combinazione innovativa di sensori ad assi multipli e un software che permette al modello di conoscere la sua posizione relativa all'orizzonte. Questo riferimento spaziale viene utilizzato per creare un involuppo di volo controllato che il velivolo usa per mantenersi con angoli di rollio tali da permettere un volo più sicuro. Oltre alla stabilità questo tipo di protezione permette varie modalità di comportamento in modo che il pilota possa scegliere in base al suo livello di preparazione per sentirsi sempre sicuro nel controllo.

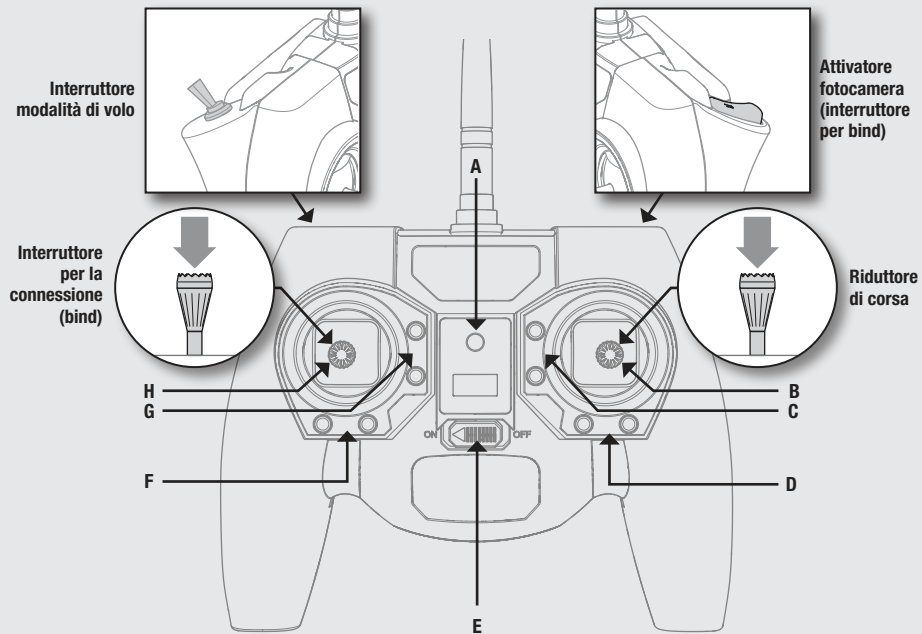
La tecnologia SAFE fornisce:

- Protezione dell'involuppo di volo attivabile con un interruttore.
- Varie modalità permettono di adeguare la tecnologia SAFE al proprio livello di preparazione.

La cosa migliore è che la sofisticata tecnologia SAFE non richiede alcun intervento di messa a punto per poterla usare. Ogni velivolo con il SAFE installato è pronto all'uso per offrire la miglior esperienza di volo possibile.

FlySAFERC.com

Controllo trasmettitore



Se premuti, i pulsanti dei trim emettono un suono che aumenta o diminuisce di intensità a ogni pressione. La posizione del trim intermedia o neutra è associata a un tono medio nell'intervallo di passo dei suoni. La fine del campo di controllo è segnalata da una serie di beep.

	A	B	C	D	E	F	G	H
Modalità 2	LED di alimentazione	Alettone (Sinistra/Destra) Elevatore (Su/Giù)	Trim dell'elevatore	Trim dell'alettone	Interruttore ON/OFF	Trim del timone	Trim del throttle	Timone (Sinistra/Destra) Throttle (Su/Giù)

Scelta della modalità di volo e della corsa (RTF)

RTF

Il modello Nano QX 3D RTF viene fornito con il trasmettitore Blade MLP6DSM. Questo trasmettitore ha un interruttore che permette di scegliere fra 3 modalità di volo con tecnologia SAFE.

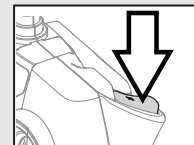
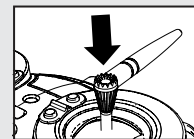
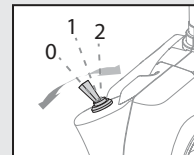
IMPORTANTE: prima di decollare, accertarsi che l'interruttore sia posizionato in corrispondenza della modalità di volo desiderata.

- Modalità Beginner (principianti) (interruttore in posizione 0). Rilasciare gli stick di comando nella loro posizione neutra e il quadricottero si stabilizza da solo.
- Modalità Intermediate (interruttore in posizione 1). Rilasciare gli stick di comando nella loro posizione neutra e il quadricottero si stabilizza da solo.
- Modalità Evo (interruttore in posizione 2). Commutare su questa modalità solo prima del decollo. Se si commutasse su questa modalità durante il volo, il quadricottero opererebbe solo con le opzioni della posizione 1.

Controllo Sensitività—Premere lo stick destro: il LED della trasmittente lampeggerà per Low, LED fisso per High (di base)

Opzioni per il grilletto del trasmettitore

- Capriola in modalità Beginner (0). Per eseguire una capriola di 360° premere il grilletto e poi muovere lo stick di alettoni o elevatore completamente nella direzione in cui si vuole eseguire la capriola.
- Inversione in modalità Intermediate (1). Premere una volta il grilletto, poi muovere lo stick di alettoni o elevatore completamente nella direzione in cui si vuole l'inversione. Il quadricottero risponde allo stesso modo di quando è in volo dritto.
- Spegnimento motore in modalità Evo (2). Per spegnere il motore premere il grilletto, arrestando i motori per le manovre 3D avanzate.



BNF

Scelta della modalità di volo

Se si ha un Nano QX 3D BNF l'interruttore del canale 5 sul trasmettitore sceglie la modalità di volo. Si vedano le tabelle seguenti per maggiori informazioni.

Tabella impostazioni trasmettitore

IMPORTANTE: prima di connettere il trasmettitore all'aereo, eseguire tutte le impostazioni.

Impostazioni di un trasmettitore NON computerizzato (DX4e e DX5e). In questo caso, prima di eseguire la connessione, accertarsi che i reverse dei servi siano impostati su Normal e che i trim siano al centro.

Per l'impostazione dei trasmettitori computerizzati, Iniziare programmando un modello ACRO vuoto (eseguire un reset del modello), poi dare il nome al modello.

Impostare il riduttore di corsa (D/R) su MAX 100%, MIN 70%.

Trasmettitore	Tipo di modello	Programmazione del trasmettitore	Interruttori e modi di supporto di volo
MLP6DSM	N/A	N/A	Modalità di volo (0, 1, 2) con CH5 e 3 Beginner-Capriola, Intermediate- Inversione, Evo-Spegnimento motore: Innesco
DX4e (vecchio) con interruttore a 2 posizioni	N/A	N/A	ACT/AUX e 2 modalità di volo (0, 2) Beginner-Capriola, Intermediate- Inversione, Evo-Spegnimento motore: Addestratore
DX5e (vecchio) con interruttore a 2 posizioni	N/A	N/A	Modalità di volo (0, 2) con CH5 e 2 Beginner-Capriola, Intermediate- Inversione, Evo-Spegnimento motore: Addestratore
DX4e con interruttore a 3 posizioni	N/A	N/A	Modalità di volo (0, 1, 2) con CH5 e 3 Beginner-Capriola, Intermediate- Inversione, Evo-Spegnimento motore: Addestratore
DX5e con interruttore a 3 posizioni	N/A	N/A	Modalità di volo (0, 1, 2) con CH5 e 3 Beginner-Capriola, Intermediate- Inversione, Evo-Spegnimento motore: Addestratore
DX6i	Acro	Elenco funzioni Flap:125% Freccia in sù 125% Freccia in giù Mix 1: Carrello con carrello Corsa D 0%, U -125% SW: GEAR Mix 2: Carrello con carrello Corsa D 0%, U +125% SW: ELE D/R Elenco dei settaggi Reverse: GEAR: R, Tutti gli altri: N Spegnimento motore: Act	GEAR (0) ELE D/R (0) = Principiante GEAR (1) ELE D/R (0) = Intermedio GEAR (1) ELE D/R (1) = Evo Mode

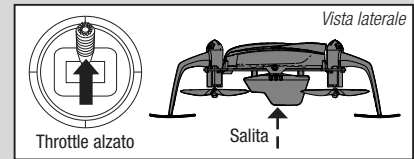
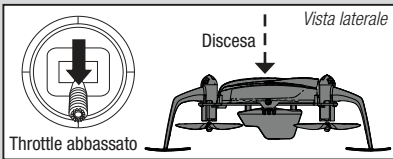
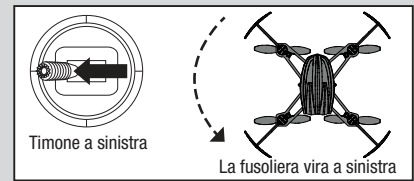
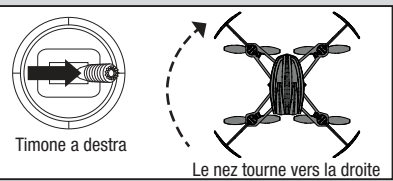
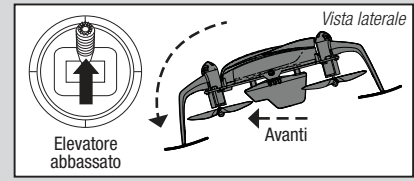
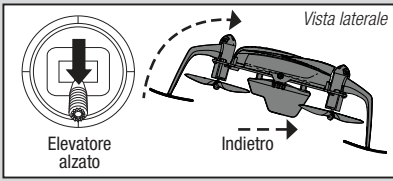
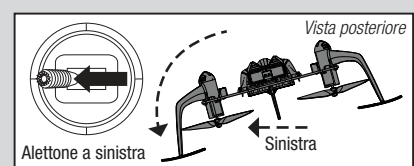
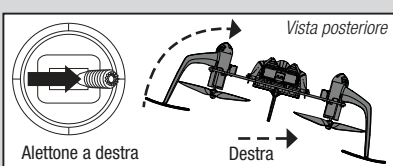
Trasmettitore	Tipo di modello	Programmazione del trasmettitore	Interruttori e modi di supporto di volo
DX7S	Aereo	System Setup Scelta interruttore Trainer: Aux1 Flap: Gear (Tutti gli altri: INH) Elenco funzioni Servo Setup Reverse Aux1: R Pos. spegnimento motore: 0% Sw: Mix1	Interruttore flap Pos 0: Principiante Pos 1: Intermedio Pos 2: Evo Mode
DX8	Aereo	Servo Setup: Reverse: AUX1-R, Tutti gli altri:-N Scelta interruttore Trainer: AUX1, F Mode: Gear Pos. spegnimento motore: 0% Sw: Mix1	F MODE e 3 modalità di volo (0, 1, 2)
DX6, DX9, DX18	Aereo	System Setup Assegna canale, [NEXT] Configura ingr. canali Gear: B Aux1: I Elenco funzioni Servo Setup Reverse Aux1: R (Tutti gli altri: N) Pos. spegnimento motore: -130% Sw: Switch H	Interruttore B Pos 0: Principiante Pos 1: Intermedio Pos 2: Evo Mode

Codici LED

Apparecchio	Colore LED	Stato LED	Operazione
Quadricottero	Blu	Lampeggio rapido	Modo Bind
Trasmettitore RTF	Rosso	Lampeggiante	Corsa min
		Fisso	Corsa max

Informazioni sui comandi di volo principali

Se non si ha familiarità con i comandi dell'Nano QX 3D, è necessario dedicare alcuni minuti per familiarizzarsi con essi prima di tentare il primo volo.

	<p>Throttle (Gaz) (stick sinistro)</p>	
	<p>Timone (stick sinistro)</p>	
	<p>Elevatore (stick destro)</p>	
	<p>Alettone (stick destro)</p>	

Il modello Nano QX 3D in volo

Decollo

Aumentare il gas fino a che il modello non raggiungera una quota di circa 60 cm dal suolo, controllare i trim in modo che il modello si comporti come desiderato. Una volta controllati i trim cominciare a volare in modello normalmente.

Si continui a fare piccole regolazioni sui trim finché il modello resta in volo stazionario con una deriva minima e controlli ridotti.

- Se il naso dello Nano QX 3D ruota verso destra o sinistra, regolare il trim del timone.
- Se lo Nano QX 3D si sposta continuamente in avanti o indietro, allora bisogna intervenire sul trim dell'elevatore.
- Se lo Nano QX 3D si sposta continuamente a destra o a sinistra, allora bisogna intervenire sul trim dell'alettone.

Per la batteria fornita, il tempo di volo va da 5 a 10 minuti.

Cutoff di Basso Voltaggio (LVC)

Il sistema LVC taglierà la corrente ai motori una volta che il voltaggio della batteria raggiungerà il livello di guardia. Quando la potenza dei motori diminuirà e il LED della unità 4 in 1 diventerà di colore rosso fisso, atterrare immediatamente e caricare la batteria.

La funzione LVC non previene la sovrascarica delle batterie quando sono immagazzinate.

AVVISO: le batterie si potrebbero danneggiare se il sistema LVC interviene ripetutamente.

CONSIGLIO: Non si abbia paura a togliere immediatamente motore qualora si vedesse che il modello sta per impattare contro un muro o altri ostacoli, per evitare di rompere le eliche.

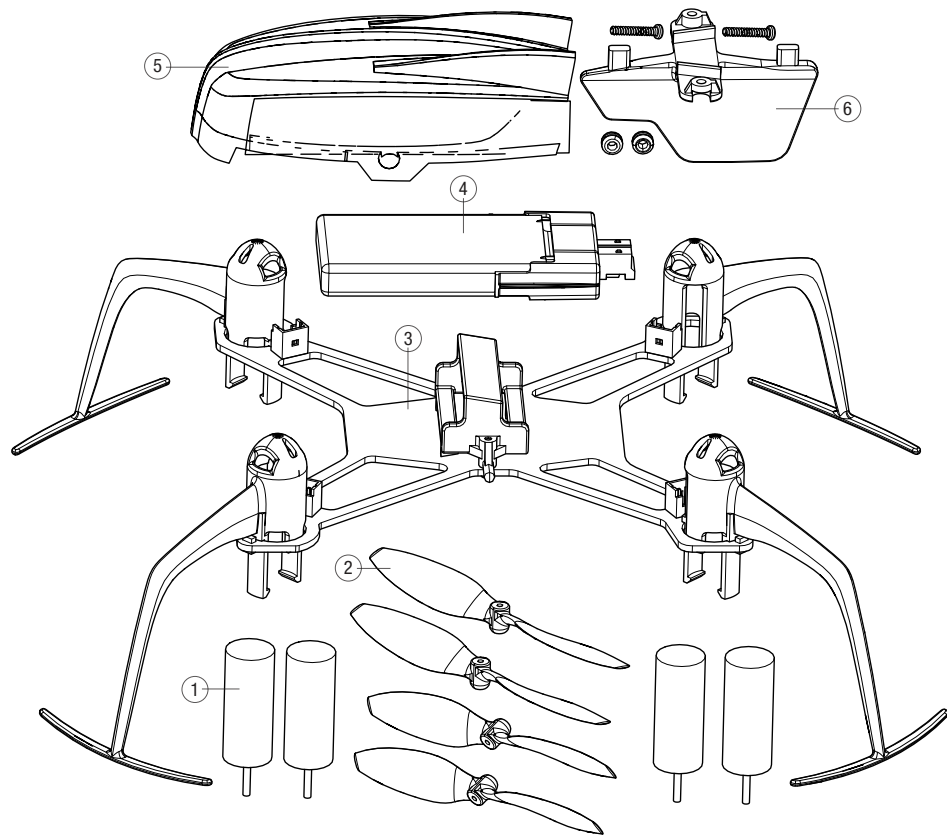
CONSIGLIO: questi sono tutti quelli possibili con il trasmettitore RTF. Quando si usa un radiocomando computerizzato si possono aumentare le corse di alettone, elevatore e timone oltre il 100% per avere la massima autorità di controllo.

Atterraggio

Per atterrare, diminuire gradualmente il gas fino ad arrivare ad un hovering a bassa quota. Dopo l'atterraggio disconnettere la batteria in modo da eliminare il rischio di scaricarla oltre il livello minimo. Caricare la batteria completamente prima di riparla. Durante il periodo di stoccaggio della batteria il voltaggio della stessa non deve scendere al di sotto dei 3V.

Ispezioni dopo il volo e manutenzione

✓	
Pulizia	Assicurarsi che la batteria non sia collegata prima di effettuare la pulizia. Rimuovere polvere e residui con una spazzola morbida o un panno asciutto e privo di peli.
Motori	Sostituire il motore quando il modello non vola livellato o tende a virare in salita.
Cablaggio	Assicurarsi che i cavi non blocchino componenti in movimento. Sostituire i cavi danneggiati e i connettori allentati.
Sistemi di fissaggio	Assicurarsi che non ci siano viti, elementi di fissaggio o connettori allentati. Non stringere eccessivamente le viti in metallo in componenti di plastica. Serrare le viti in modo che le parti siano a battuta, poi girare le viti solo 1/8 di giro in più.
Rotori	Assicurarsi che non vi siano danni alle pale del rotore e in altri componenti che si muovono ad alta velocità. Danni in questi componenti sono costituiti da incrinature, sbavature, trucioli o graffi. Sostituire le parti danneggiate prima del volo.



Part #	Descrizione
1	BLH7102 Motori c/spazzole (4) : Nano QX 3D
2	BLH7105 Eliche (4) : Nano QX 3D
3	BLH7106 Telaio principale Nano QX 3D
4	EFLB2001S30 Batteria LiPo 1S 3.7V 200mA
5	BLH7103 Capottina superiore : Nano QX 3D
6	BLH7104 Supporto telaio : Nano QX 3D
	EFLH1063 Trasmettitore MLP6DSM SAFE
	BLH7101 Unità di controllo 4 in 1 : Nano QX 3D
	EFLC1013 Caricatore LiPo USB Li-Po 1S, 500mA connettore UMX alta corrente: Nano QX 3D

Componenti opzionali

Part #	Descrizione
EFLC1006	Caricatore Celectra 1S 3.7v corrente variabile DC Li-Po
	DX5e DSMX 5-canali solo trasmettitore
	DX6i DSMX 6-canali solo trasmettitore
	DX6 DSMX 6-canali solo trasmettitore
	DX7s DSMX 7-canali solo trasmettitore

Part #	Descrizione
	DX8 DSMX 8-canali solo trasmettitore
	DX9 DSMX 8-canali solo trasmettitore
	DX18 DSMX 18-canali solo trasmettitore

Guida alla soluzione dei problemi

Problema	Possibile causa	Soluzione
La risposta dello Nano QX 3D è inconsistente o richiede un extra trim per neutralizzare il movimento	Velivolo non inizializzato su di una superficie piana	Scollegare la batteria di bordo, centrare il trim e ripetere l'inizializzazione del quadricottero
	Batteria non inserita bene nella sua sede	Regolare la posizione della batteria in modo che il quadricottero sia bilanciato al centro del telaio
Lo Nano QX 3D non risponde al comando motore	Stick e/o trim del motore troppo in alto	Resettare i controlli con stick e trim completamente in basso
	Lo Nano QX 3D si è mosso durante l'inizializzazione	Scollegare la batteria di bordo e rifare l'inizializzazione dello Nano QX 3D tenendolo ben fermo
	Il canale del motore è invertito	Scollegare la batteria di bordo, invertire il canale del motore sul trasmettitore e ricollegare la batteria di bordo
Lo Nano QX 3D non funziona e si sente odore di bruciato dopo aver collegato la batteria di bordo	Batteria di bordo collegata con polarità invertita	Sostituire il circuito del 4-in-1. Collegare la batteria di bordo facendo attenzione alla polarità
Lo Nano QX 3D ha ridotto il tempo di volo o è sotto potenziato	Batteria di bordo quasi scarica	Ricaricare completamente la batteria di bordo
	Caricabatterie alimentato con scarsa potenza	Usare un'alimentazione USB diversa per il caricatore
	Batteria di bordo danneggiata	Sostituire la batteria di bordo seguendo le istruzioni
	La temperatura esterna è troppo bassa	Tenere la batteria al caldo prima dell'uso

Problema	Possibile causa	Soluzione
Il LED sul ricevitore lampeggia velocemente e l'aereo non risponde al trasmettitore (durante il "binding")	Trasmettitore troppo vicino al modello durante la procedura di "binding"	Spegnerne il trasmettitore. Allontanare il trasmettitore all'aereo. Scollegare e ricollegare la batteria di bordo. Ripetere la procedura di "binding" seguendo le istruzioni
	Il comando per il "bind" non è stato premuto all'accensione del trasmettitore	Spegnerne il trasmettitore e ripetere la procedura
	Il modello o il trasmettitore sono troppo vicini a grossi oggetti metallici, sorgenti WiFi o ad un altro trasmettitore	Spostare il modello e il trasmettitore in un altro posto prima di ripetere la procedura
Il LED sul ricevitore lampeggia velocemente e l'aereo non risponde al trasmettitore (dopo il "binding")	Non sono passati 5 secondi dall'accensione del trasmettitore al collegamento della batteria di bordo	Lasciare acceso il trasmettitore. Scollegare e ricollegare la batteria allo Nano QX 3D
	Lo Nano QX 3D è connesso ad una memoria diversa (solo trasmettitori con ModelMatch™)	Scegliere la memoria giusta sul trasmettitore. Scollegare e ricollegare la batteria allo Nano QX 3D
	Batteria di bordo o del trasmettitore quasi scariche	Sostituire o ricaricare le batterie
	Il modello o il trasmettitore sono troppo vicini a grossi oggetti metallici, sorgenti WiFi o ad un altro trasmettitore	Spostare il modello e il trasmettitore in un altro posto prima di ripetere la procedura
Si schianta al suolo immediatamente dopo essersi sollevato	Eliche nella posizione sbagliata o modalità di volo scelta non corretta	Effettuare le regolazioni necessarie

Garanzia

Periodo di garanzia

La garanzia esclusiva - Horizon Hobby, LLC, (Horizon) garantisce che i prodotti acquistati (il "Prodotto") sono privi di difetti relativi ai materiali e di eventuali errori di montaggio. Il periodo di garanzia è conforme alle disposizioni legali del paese nel quale il prodotto è stato acquistato. Tale periodo di garanzia ammonta a 6 mesi e si estende ad altri 18 mesi dopo tale termine.

Limiti della garanzia

- La garanzia è limitata all'acquirente originale (Acquirente) e non è cedibile a terzi. L'acquirente ha il diritto a far riparare o a far sostituire la merce durante il periodo di questa garanzia. La garanzia copre solo quei prodotti acquistati presso un rivenditore autorizzato Horizon. Altre transazioni di terze parti non sono coperte da questa garanzia. La prova di acquisto è necessaria per far valere il diritto di garanzia. Inoltre, Horizon si riserva il diritto di cambiare o modificare i termini di questa garanzia senza alcun preavviso e di escludere tutte le altre garanzie già esistenti.
- Horizon non si assume alcuna garanzia per la disponibilità del prodotto, per l'adeguatezza o l'idoneità del prodotto a particolari previsti dall'utente. È sola responsabilità dell'acquirente il fatto di verificare se il prodotto è adatto agli scopi da lui previsti.
- Richiesta dell'acquirente - spetta soltanto a Horizon, a propria discrezione riparare o sostituire qualsiasi prodotto considerato difettoso e che rientra nei termini di garanzia. Queste sono le uniche rivalse a cui l'acquirente si può appellare, se un prodotto è difettoso.

Horizon si riserva il diritto di controllare qualsiasi componente utilizzato che viene coinvolto nella rivalsa di garanzia. Le decisioni relative alla sostituzione o alla riparazione avvengono solo in base alla discrezione di Horizon. Questa garanzia non copre i danni superficiali o danni per cause di forza maggiore, uso errato del prodotto, negligenza, uso ai fini commerciali, o una qualsiasi modifica a qualsiasi parte del prodotto. Questa garanzia non copre danni dovuti ad una installazione errata, ad un funzionamento errato, ad una manutenzione o un tentativo di riparazione non idonei a cura di soggetti diversi da Horizon.

La restituzione del prodotto a cura dell'acquirente, o da un suo rappresentante, deve essere approvata per iscritto dalla Horizon.

Limiti di danno

Horizon non si riterrà responsabile per danni speciali, diretti, indiretti o consequenziali; perdita di profitto o di produzione; perdita commerciale connessa al prodotto, indipendentemente dal fatto che la richiesta si basa su un contratto o sulla garanzia. Inoltre la responsabilità di Horizon non supera mai in nessun caso il prezzo di acquisto del prodotto per il quale si chiede la responsabilità. Horizon non ha alcun controllo sul montaggio, sull'utilizzo o sulla manutenzione del prodotto o di combinazioni di vari prodotti. Quindi Horizon non accetta nessuna responsabilità per danni o lesioni derivanti da tali circostanze. Con l'utilizzo e il montaggio del prodotto l'utente acconsente a tutte le condizioni, limitazioni e riserve di garanzia citate in questa sede. Qualora l'utente non fosse pronto ad assumersi tale responsabilità associata all'uso del prodotto, si suggerisce di restituire il prodotto intatto, mai usato e immediatamente presso il venditore.

Indicazioni di sicurezza

Questo è un prodotto sofisticato di hobbistica e non è un giocattolo. Esso deve essere manipolato con cautela, con giudizio e richiede delle conoscenze basilari di meccanica e delle facoltà mentali di base. Se il prodotto non verrà manipolato in maniera sicura e responsabile potrebbero risultare delle lesioni, dei gravi danni a persone, al prodotto o all'ambiente circostante. Questo prodotto non è concepito per essere usato dai bambini senza una diretta supervisione di un adulto. Il manuale del prodotto contiene le istruzioni di sicurezza, di funzionamento e di manutenzione del prodotto stesso. È fondamentale leggere e seguire tutte le istruzioni e le avvertenze nel manuale prima di mettere in funzione il prodotto. Solo così si eviterà un utilizzo errato e di preverranno incidenti, lesioni o danni.

Domande, assistenza e riparazioni

Il vostro negozio locale e/o luogo di acquisto non possono fornire garanzie di assistenza o riparazione senza previo colloquio con Horizon. Questo vale anche per le riparazioni in garanzia.

Quindi in tali casi bisogna interpellare un rivenditore, che si metterà in contatto subito con Horizon per prendere una decisione che vi possa aiutare nel più breve tempo possibile.

Manutenzione e riparazione

Se il prodotto deve essere ispezionato o riparato, si prega di rivolgersi ad un rivenditore specializzato o direttamente ad Horizon. Il prodotto deve essere imballato con cura. Bisogna far notare che i box originali solitamente non sono adatti per effettuare una spedizione senza subire alcun danno. Bisogna effettuare una spedizione via corriere che fornisce una tracciabilità e un'assicurazione, in quanto Horizon non si assume alcuna responsabilità in relazione alla spedizione del prodotto. Inserire il prodotto in una busta assieme ad una descrizione dettagliata dei problemi e ad una lista di tutti i singoli componenti spediti. Inoltre abbiamo bisogno di un indirizzo completo, di un numero di telefono per rivolgere ulteriori domande e di un indirizzo e-mail.

Garanzia a riparazione

Le richieste in garanzia verranno elaborate solo se è presente una prova d'acquisto in originale proveniente da un rivenditore specializzato autorizzato, nella quale è ben visibile la data di acquisto. Se la garanzia viene confermata, allora il prodotto verrà riparato o sostituito. Questa decisione spetta esclusivamente a Horizon Hobby.

Garanzia e Assistenza - Informazioni per i contatti

Stato in cui il prodotto è stato acquistato	Horizon Hobby	Telefono/Indirizzo e-mail	Indirizzo
Germania	Horizon Technischer Service Sales: Horizon Hobby GmbH	service@horizonhobby.de +49 (0) 4121 2655 100	Christian-Junge-Straße 1 25337 Elmshorn, Germania

Informazioni sulla conformità per l'Unione Europea

Dichiarazione di conformità

(in conformità con ISO/IEC 17050-1)

No. HH2015010703

Prodotto(i): Blade Nano QX 3D BNF
Numero(i) articolo: BLH7180
Classe dei dispositivi: 1

Gli oggetti presentati nella dichiarazione sopra citata sono conformi ai requisiti delle specifiche elencate qui di seguito, seguendo le disposizioni delle direttive europee R&TTE 1999/5/EC e CEM 2004/108/EC:

EN 301 489-1 V1.9.2

EN 301 489-3 V1.6.1

EN 55022:2006+A1:2007

EN 55024:1998+A1:2001+A2:2003

EN 61000-3-2: 2006+A2:2009, EN 61000-3-3: 2008



Firmato per conto di:
Horizon Hobby, LLC
Champaign, IL USA
07/01/2015

Bill Vallee
Executive Vice President and
Chief Operating Officer
International Operations and
Risk Management
Horizon Hobby, LLC

Dichiarazione di conformità

(in conformità con ISO/IEC 17050-1)

No. HH2015010702

Prodotto(i): Blade Nano QX 3D RTF
Numero(i) articolo: BLH7100, BLH7100M1
Classe dei dispositivi: 1

Gli oggetti presentati nella dichiarazione sopra citata sono conformi ai requisiti delle specifiche elencate qui di seguito, seguendo le disposizioni delle direttive europee R&TTE 1999/5/EC, CEM 2004/108/EC, e LVD 2006/95/EC:

EN 300 440-1 V1.6.1

EN 300 440-2 V1.4.1

EN 301 489-1 V1.9.2

EN 301 489-3 V1.6.1

EN 60950-1:2006+A11:2009+A12:2010+A12:2011+A2:2013

EN 62479: 2010

EN 55022:2006+A1:2007

EN 55024:1998+A1:2001+A2:2003

EN61000-3-2:2006+A2:2009, EN61000-3-3:2008



Firmato per conto di:
Horizon Hobby, LLC
Champaign, IL USA
07/01/2015

Bill Vallee
Executive Vice President and
Chief Operating Officer
International Operations and
Risk Management
Horizon Hobby, LLC

Istruzioni del RAEE per lo smaltimento da parte di utenti dell'Unione Europea



Questo prodotto non deve essere smaltito assieme ai rifiuti domestici. Al contrario, l'utente è responsabile dello smaltimento di tali rifiuti che devono essere portati in un centro di raccolta designato per il riciclaggio di rifiuti elettrici e apparecchiature elettroniche. La raccolta differenziata e il riciclaggio di tali rifiuti provenienti da apparecchiature nel momento dello smaltimento aiuteranno a preservare le risorse naturali e garantiranno un riciclaggio adatto a proteggere il benessere dell'uomo e dell'ambiente. Per maggiori informazioni sui centri di raccolta, contattare il proprio ufficio locale, il servizio di smaltimento rifiuti o il negozio presso il quale è stato acquistato il prodotto.

©2015 Horizon Hobby, LLC.

Blade, E-flite, SAFE, the SAFE logo, DSM, DSM2, DSMX, Bind-N-Fly, the BNF logo, Celectra, ModelMatch and the Horizon Hobby logo are trademarks or registered trademarks of Horizon Hobby, LLC.

The Spektrum trademark is used with permission of Bachmann Industries, Inc. Futaba is a registered trademark of Futaba Denshi Kogyo Kabushiki Kaisha Corporation of Japan. All other trademarks, service marks or logos are property of their respective owners.

Patents pending.

Created 1/15 46368 **BLH7100, BLH7180**