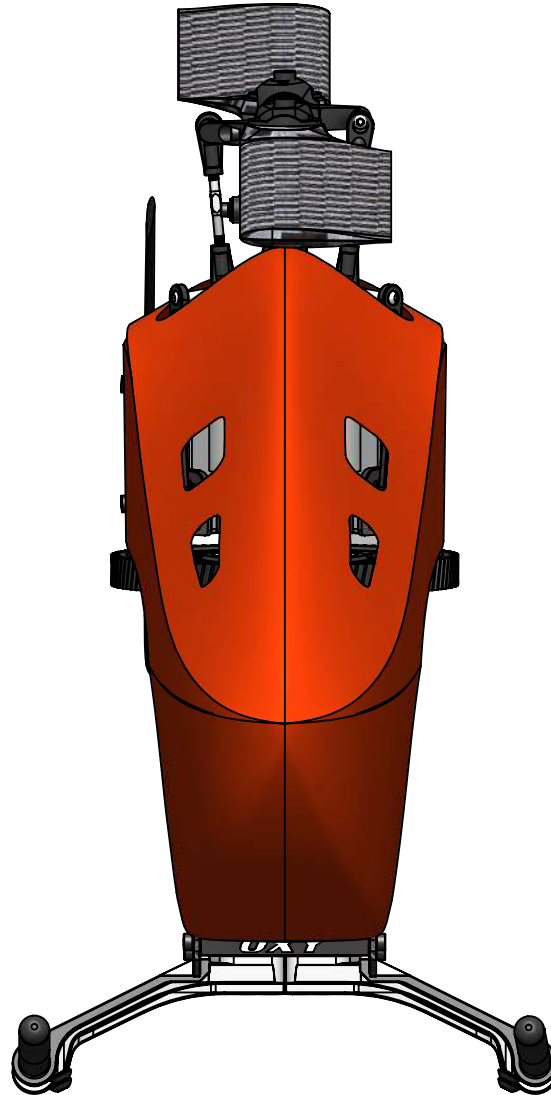


# ***OXY5***

# ***OXY5*** MEG

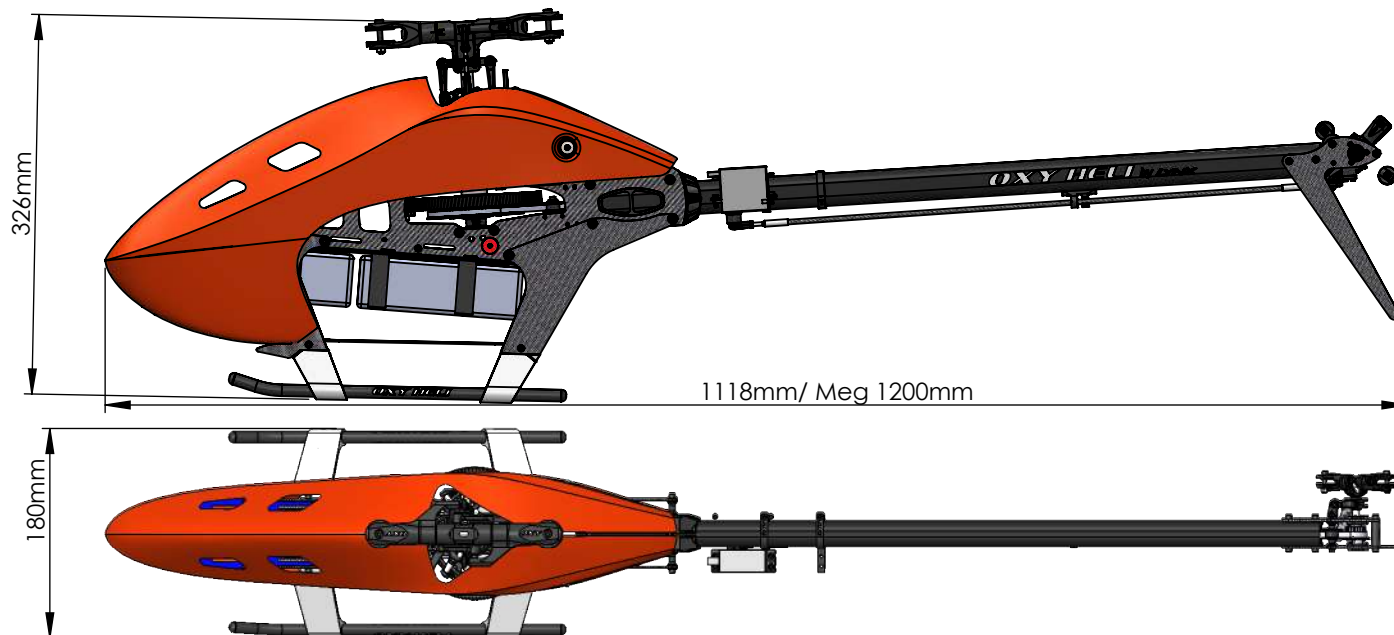
Nothing Else Matters  
Instruction Manual

*Revision: Beta 15 Date: May-13-2020*



**VERY IMPORTANT NOTE:**

- Oxy Team continue work on manual update to give the most and recent assembly and set up, visit the Oxy Heli web site [lynxheli.com](http://lynxheli.com) (Products/Oxy Heli/ Kits/ select your kit) to download the latest version of the manual.
- Inside Box 3 you will find your serial number card and serial number tag. Please take a moment to visit the [lynxheli.com](http://lynxheli.com) web site ((Products/Oxy Heli/ Kits/ select your kit) and follow the instructions to register your helicopter and serial number.
- It is important you take few minutes to register your helicopter and serial number with us. This is the only way to be in contact with us to receive news, promotional information and technical tips.
- We will also choose five serial numbers each year that will win a discount coupon worth 200USD each to spend at the Oxy Heli or Lynx Heli web sites.
- Thank you for your purchase, and we wish you the best enjoyment with your new Oxy 5 Helicopter.



- |                             |  |
|-----------------------------|--|
| - Main Blade Length:        | - 500 to 575mm/ Meg up to 625mm                |
| - Main Grip Clamping:       | - M4 / 10 and 12mm Root.                       |
| - Tail Blade Length:        | - 85mm to 105mm.                               |
| - Standard Main Gear:       | - 110T   |
| - Standard Pinion:          | - 12T (Optional 11-13-14)                      |
| - Standard Main Ratio:      | - 9.166  |
| - Standard Main Pulley:     | - 84T  |
| - Standard Tail Pulley:     | - 19T (Optional 18-20)                         |
| - Standard Tail Ratio:      | - 4.42   |
| - Tail Blade Clamping:      | - M3 / 5 mm Root.                              |
| - RTF Approximately Weight: | - 2900g (including batteries 6S).              |
| - Motor size:               | - 4015-4020-4025-4030-4225 Shaft 6mm – L20/25. |
| - 6S Max Battery Size:      | - L150 x H55 x W50mm.                          |
| - 12S Max Battery Size:     | - L270 x H43 x W50mm                           |

Chapter 1 - Specifications .....	page 2
Chapter 2 - Important Notes .....	page 3
Chapter 3 - Required Tools for Assembly .....	page 4
Chapter 4 - What's Inside The Box .....	page 5 - 6
Chapter 5 - Pinion Selection & RPM .....	page 7
Chapter 6 - Tail Assembly .....	page 9 - 17
Chapter 7 - Main Frame Assembly .....	page 18 - 25
Chapter 8 - Align and Lock Frame Panel .....	page 26
Chapter 9 - Main Gear Assembly .....	page 27
Chapter 10 - Transmission Assembly.....	page 28 - 29
Chapter 11 - Belt Tension & Adjustment .....	page 30
Chapter 12 - Main Rotor Assembly .....	page 37
Chapter 13 - Servo Dimension requestment .....	page 38
Chapter 14 - Servo & Servo Rod Preparation .....	page 39 - 43
Chapter 15 - Motor Installation .....	page 44
Chapter 16 - ESC and Flybarless Installation .....	page 45 - 46
Chapter 17 - Wire Suggestion .....	page 47
Chapter 18 - Servo adjustment With Leveler .....	page 48 - 50
Chapter 19 - Landing Gear and Battery Installtion .....	page 51 - 56
Chapter 20 - Main Blades & Tail Blades Installtion .....	page 57
Chapter 21 - Canopy Installation .....	page 58
Chapter 22 - Exploded View .....	page 59 - 62
Chapter 23 - Spare Parts.....	page 63 - 72
<b>Meg addendum .....</b>	<b>page 73</b>

***Lynx Heli Innovations Oxy Heli Intellectual Property***

Lynx Heli Innovations has declared all documentation within it's manuals, websites, drawings and production plans are the intellectual property of Luca Invernizzi. This declaration also includes all images, videos, graphic designs, brand logos, part designs, helicopter accessories, helicopter parts, helicopter kits produced and retailed under the brands Lynx Heli Innovations, OXY Helicopter, OXY HELI. No other company or individual is allowed to use this intellectual property to take, use, claim ownership or rights, republish, reprint, recreate or reproduce in any way.

**IMPORTANT NOTE:**

This model helicopter has been designed and produced to be a high performance 3D machine. With its simple design and low parts count, pilots of all skill levels will appreciate its easy repairability. This is not a toy. Please take care assembling the model, and take care and responsibility when you fly it. We take no responsibility for any damage or injuries, either direct or consequential, from the use of this product. If you are not experienced in the assembly and flying of a high performance model helicopter we recommend you seek the assistance of an experienced pilot. Above all, fly safely and we hope you enjoy this model.

**SAFETY GUIDELINES:**

Only fly this model in areas designated for the use of model aircraft. Ensure you obtain indemnity insurance, normally available through your National model aircraft association. Remain at least 6 meters (20 feet) from the model at all times. Never allow spectators or animals any closer than 30 meters (100 feet) from the model.

**NOTES FOR ASSEMBLY:**

Please read this instruction manual fully before beginning assembly of this model helicopter. Be sure to use quality tools during the assembly process, and remember not to overtighten small fasteners. Note the following symbols which are used in this manual. Use thread lock sparingly where indicated. If you are unsure about an assembly step, please seek the advice of an experienced pilot. Warranty on any parts is only applicable prior to assembly of the part on the model. **NONE OF THE PRE ASSEMBLED PARTS HAVE THREAD LOCK ON THE SCREWS. IS IMPORTANT TO READ AND FOLLOW THE ASSEMBLY NOTES IN EACH STEP. INCORRECT ASSEMBLY OR NOT USING THREAD LOCK WILL CAUSE A CRASH OR INJURY.**



Important note



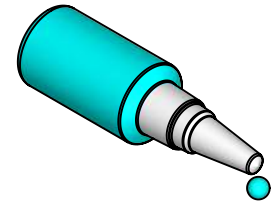
Use CA Glue



Use Loctite 243 Medium Strength



Use Loctite 648 Bonding




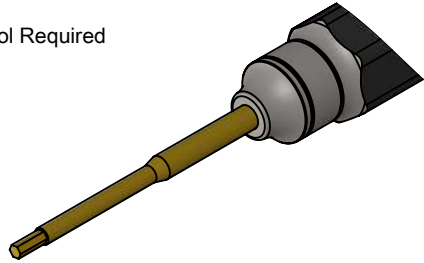
Use Silicone Grease



**TOOLS REQUIRED**

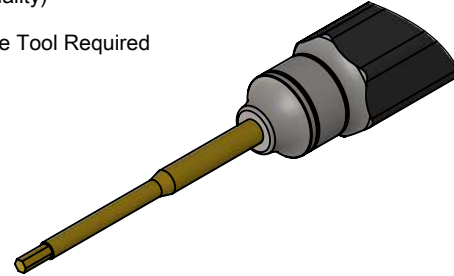
1.5mm Hex Screw Driver  
(High quality)

 One Tool Required




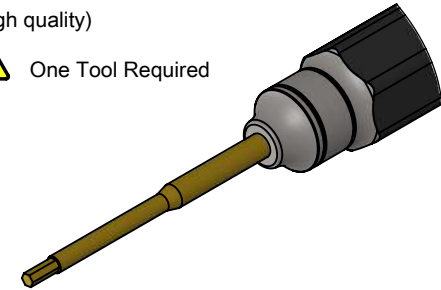
2mm Hex Screw Driver  
(High quality)

 One Tool Required

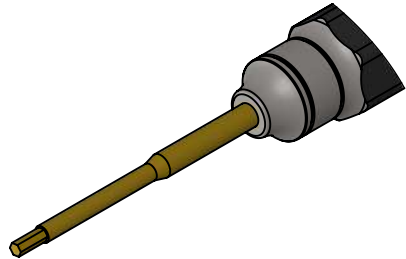


2.5mm Hex Screw Driver  
(High quality)


 One Tool Required

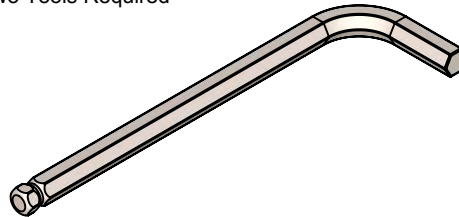


3mm Hex Screw Driver  
(High quality)

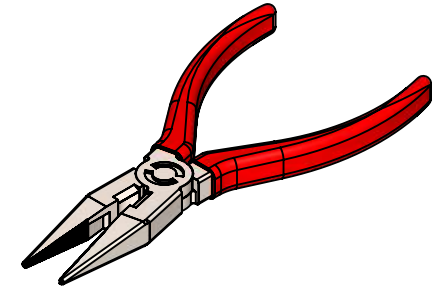


4mm Hex Tip Key L  
(High quality)

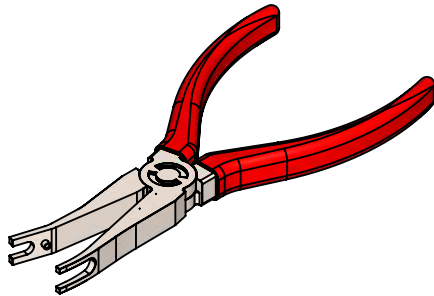
 Two Tools Required



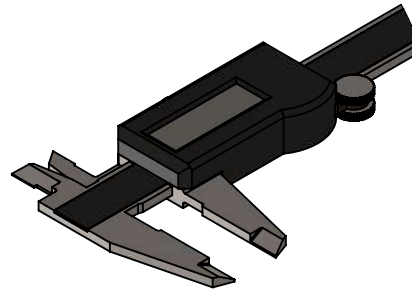
Needle Nose Pliers



Uniball Pliers



Caliper



Note :

We recommend high quality steel tools during assembly.  
Hex Screw driver in particular must have precise Tip  
Hexagonal dimension.

- Canopy
- Box2/bag 15 Main Frame
- Box2/bag 17 ESC Plate
- Box2/bag 18 CF Middle Plate
- Box2/bag 19 CF Battery Tray Plate
- Box2/bag 21 CF Front Length Plate
- Box2/bag 22 CF Rear Length Plate
- Box2/Bag 28 Landing Gear

Tail Boom & Tail Push Rod

- Box3/bag 1 Vertical Fin
- Box3/bag 2 Tail Rotor
- Box3/bag 3 Tail Shaft
- Box3/bag 4 Tail Pitch Slider
- Box3/bag 5 Tail Bell Crank
- Box3/bag 7 Tail Servo Mount
- Box3/bag 6 HTD3M 1698-Tail Belt
- Box3/bag 8 Front Pulley Guide Belt
- Box3/bag 9 Boom Clamp
- Box3/bag 10 Upper Main Shaft Bearing Block
- Box3/bag 11 Middle Main Shaft Bearing Block
- Box3/bag 12 Lower Main Shaft Bearing Block
- Box3/bag 13 Canopy Mount
- Box3/bag 14 Motor Mount
- Box3/bag 16 Anti Rotation Guide
- Box3/bag 23 Main Gear
- Box3/bag 24 Swash Plate
- Box3/bag 25 Rotor Head
- Box3/bag 26 Main Shaft
- Box3/bag 27 Servo Set
- Accessories

Outer Box

## OXY 5 - FLIGHT STYLE / HEAD / TAIL SETTINGS

In order to choose the best setup for your OXY 5, and optimize performance, it is important to know some basic information:

- 1- Battery Pack you intent to use - (from 6S to 12S)
- 2- The Motor Kv - See your motor specifications.
- 3- Your target head speed, If you use a head speed calculator, use 110 Teeth for the main gear and one of the available pinions.

Or use this simple formula:

$$\text{Theoric Max RPM} = \frac{((N \text{ Cell} \times 4.00) \times \text{KV Motor})}{(\text{Main Gear T} / \text{Pinion T})}$$

If you use governor, in order to assure that RPM will be constant during the flight, set a gear ratio to have theory Maximum RPM approximately 10% higher than you're expected governed RPM.

Your TX Throttle value should be set between 75 to 85%

Example: Target RPM Governed at 80% throttle value = 2000, theory Max RPM should be approx. 2200.

This formula and value can be affected by many factors such: Battery quality, Battery C Rate, Motor Power and Flight Style.

In any case can give you basic information choosing your Motor KV and Pinion (Gear Ratio).

Table below will give you basic suggestion about RPM and Tail Setting (tail pulley / tail ratio) in order to guide on your OXY 5 Flight Style needs.

Main Blade	Motor	Battery	Flight Style	Head Speed		Max Pitch	Tail Pulley	Tail Blade	Dampeners
500 / 525	40/15-20	6s 3500	Novis	1900	2300	+ / - 10	18	85	HSS
			Soft 3D	2300	2600	+ / - 12	19	85	HSS
			Hard 3d	2600	2900	+ / - 14	19	85	HHS
550 / 560	40/20-25	6s 5000 12s 3000	Novis	1800	2000	+ / - 10	18	95	HSH
			Soft 3D	2000	2400	+ / - 12	19	95	HSH
			Hard 3d	2400	2600	+ / - 14	19	95	HHH
570	40/20 to 30 42/25	6s 5000 12s 4000	Novis	1700	2000	+ / - 10	18	95	HSH
			Soft 3D	2000	2300	+ / - 12	19	95	HSH
			Hard 3d	2300	2500	+ / - 14	19	95	HHH
600 / 625	40/20 to 35 42/25 45/25	6s 5000 12s 4000	Novis	1600	1900	+ / - 10	18	105	HSH
			Soft 3D	1900	2200	+ / - 12	19	105	HHH
			Hard 3d	2200	2500	+ / - 14	19	105	RIGID

Above information are basic average suggestion.

Dampener Legend (read Ring Hardness from Main Shaft to Main Blade direction).

For Example HSH = Inner O-Ring Hard / Midle O-Ring Soft / Externa O-Ring Hard

## OXY 5 - ELECTRONICS AND POWER SUGGESTIONS

Head Speed Note: Although OXY 5 can handle very high Head Speed, we suggest not to exceed the maximum RPM on the table above, to maintain a good compromise between performances and efficiency.

Tail Settings, see above Info and Table: "Flight Style - Head - Tail Settings"

### CONFIGURATION EXAMPLES:

Since the OXY 5 is a high performance 3D RC helicopter, we suggest using high quality electronics and power components including Servos, FBL , Motor, Battery and ESC. OXY 5 from box is designed to use Cyclic Standard Size Servo and Rudder Standard or Mini Size Servo, however thanks a simple optional bracket system can use Cyclic Mini Size Servo. From our test we can suggest Cyclic Mini Size Servos for Main Blade from 500 to 560 and Standard Servo Size from 550 to 570, in any case is hard for us give a precise direction, because in the end we don't know your personal flight performance. In any case our basic direction cannot be wrong. Remember that OXY 5 like any other top performance Heli require light components to maximize flight time and performance. Always consider the acceleration G force in flight, few extra gram can become Kg during some maneuvers, compromising the best performance. Always choose the electronics and the power system suitable for your flight style, "more is not always better"!

### FROM OUR TEST HERE OUR ELECTRONICS SUGGESTIONS:

FROM OUR TEST HERE OUR ELECTRONICS SUGGESTIONS:

CYCLIC SERVO: (Standard Kit) : Standard HELI Size Servo– With Optional Mini Servo Bracket: Mini HELI Size Servo.

RUDDER SERVO: Standard or Mini HELI Size Servo, narrow pulse and fast throw – (Suggested Specific Rudder Servos)

BATTERY: Hard to list here all the option OXY 5 gives, however if 6S from 3500 up 5500 and if 12S from 2500 up 4000. For more information about maximum battery size, please check User Manual Page 2.

ESC: 100 to 150A

MOTOR: 4015, 4020, 4025 , 4035, 4225 - 500 / 1200 KV depending on your Battery Set-Up.

FBL System: The OXY 5 is designed around the Ikon / Brain and Neo V-Bar Systems. Many other FBL systems can be used, depending on your personal choice. Boom Clamp Bottom Side can accept any of the current FBL available.

MAIN BLADE: OXY 5 can spin 500 up to 575mm Main Blade, 4mm Screw 10 or 12mm Root.

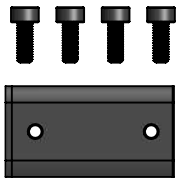
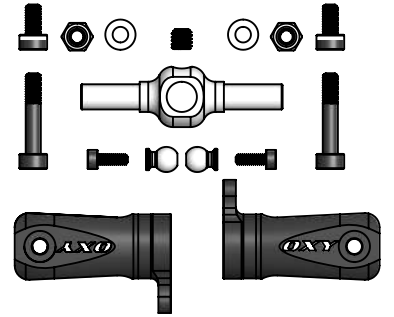
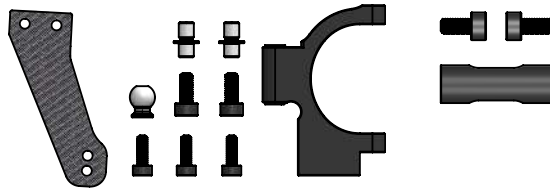
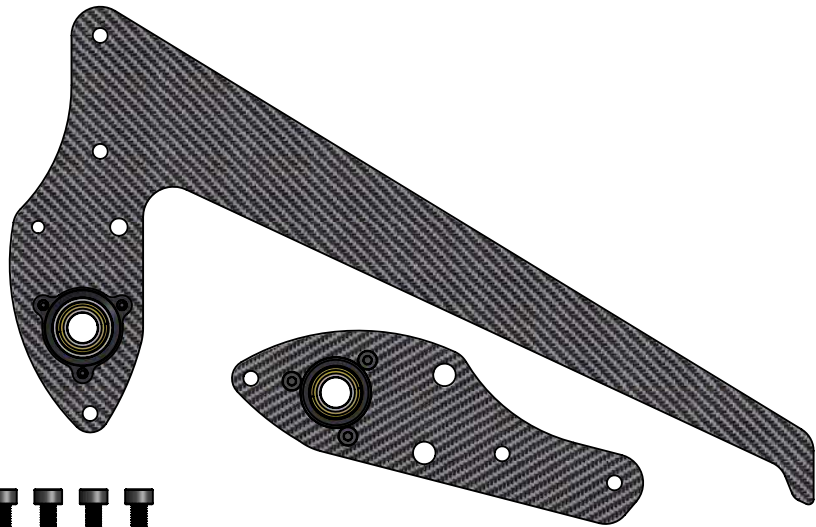
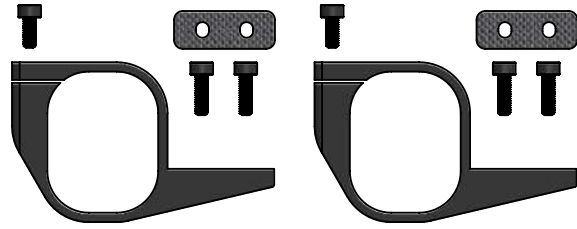
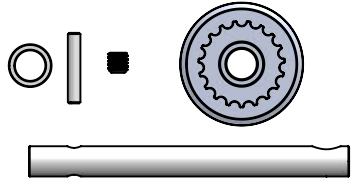
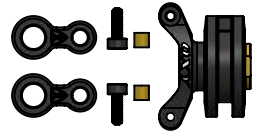
TAIL BLADE: OXY 5 can spin 85 up to 105mm Tail Blade, 3mm Screw 4mm Root.

### OUR PILOTS STANDARD SET-UP

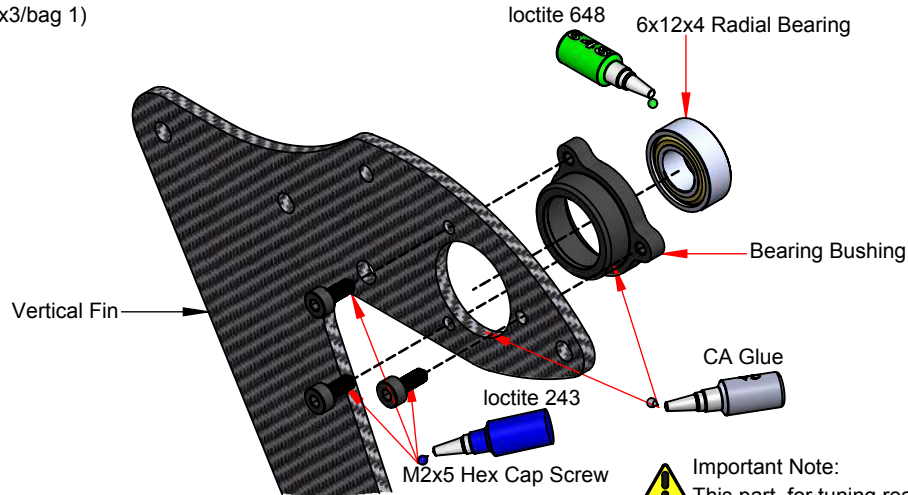
Name	Level	Battery	ESC	Motor	Tail Pulley	Cyclic Servos	Tail Servo	FBL	Main Blade	Tail Blade	Head Speed	Dampeners Set	
Aaron Wolf	Pro	6s 5100	Scorpion Tribunus 120A	Scorpion 4025-110kv	13	19	KST X20 V2-2208	KST X20 V2-1035	NEO	R-Tech 560	R-Tech 95	2400	HHH + 1 Shim
Alessandro Isella	Advanced	12s 3500	Castle Edge 120HV	700mx - 545kv	12	19	KST BLS815	KST BLS805x	SK 540	SAB 570	SAB 95	2400	HSH + 1 Shim
Henrik Clausen	Pro	6s 5000	IONIX 100A	RAGE 4219	13	19	MKS HV9767	MKS HV9780	NEO	R-Tech 560	R-Tech 95	2400	HSH + 1 Shim
Joe Herison	Sport	12s 3300	HW 130A V4	Quantum 4125-560kv	12	19	KST DS725MG	KST DS525MG	iKon 2/Inte	R-Tech 560	R-Tech 96	2350	HSH + 1 Shim
Luca Ursini	Advanced	6s 4400	YEP 100A	XNOVA 4020 L 1200kv	12	19	Outrage	Outrage	Brain2/BT	SAB 570	SAB 95	2350	HSH + 1 Shim
Lukas Dinger	Pro	6s 5200	Kontronik Kolibri 140LV	Pyro 650-1030kv	13	19	Deko 6295	Deko 5125	DEMON Axon	VTX 557	SpinBlade 95	2350	HSH + 1 Shim
Mark Alswager	Advanced	6s 5000	Kontronik Jive P120HV	XNOVA 4020 L 1200kv	12	19	MKS HBL599/HBL575	MKS X8 HBL880	NEO	VTX 557	R-Tech 93	2500	HHH + 1 Shim
Matthew Cramer	Advanced	6s 5000	Kontronik Jive P120HV	XNOVA 4020 L 1200kv	12	19	MKS HBL599/HBL575	MKS X8 HBL880	NEO	VTX 557	R-Tech 93	2500	HHH + 1 Shim
Rasmus Jakobsen	Pro	12s 2800	Scorpion Tribunus 130A	Scorpion 4025-550kv	13	19	KST X20 V2-2208	KST X20 V2-1035	NEO	SpinBlade 570	SpinBlade 95	2650	HsH + 1 Shim
Rich Knapp	Sport	6s 5000	HW 130A V4	XNOVA 4020 -1000kv	12	19	KST DS589MG	BK DS-5005HV	Brain2/BT	VTX 557	R-Tech 96	2000	HSH + 1 Shim

Above information are personal preference of our Test Pilot, brands and electronics set up are just for information purpose.

# Tail Set Assembly

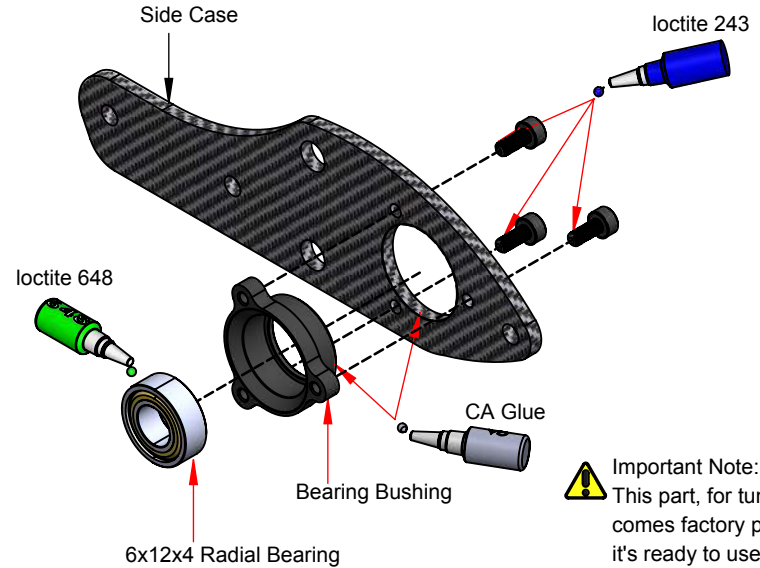


Vertical Fin Assembly  
( Box3/bag 1)



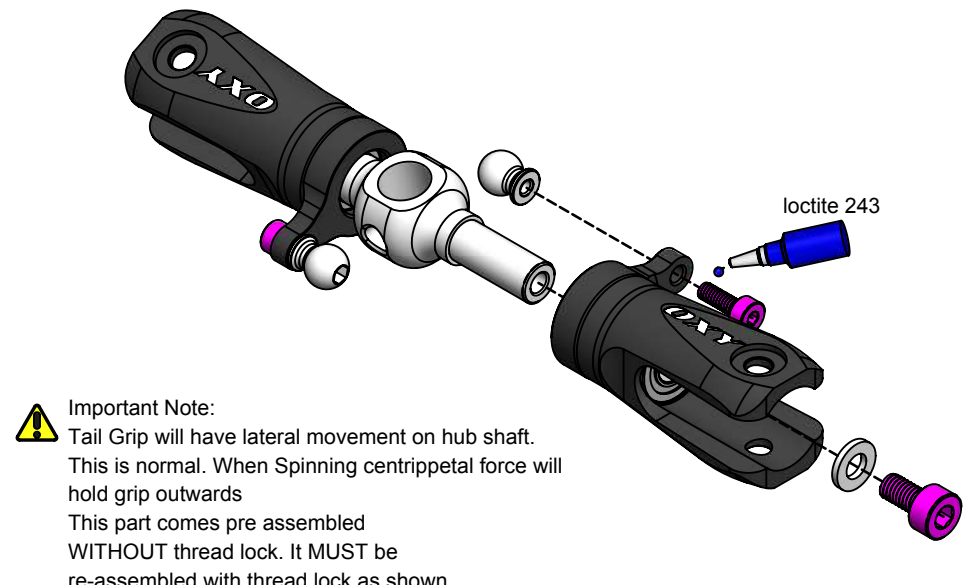
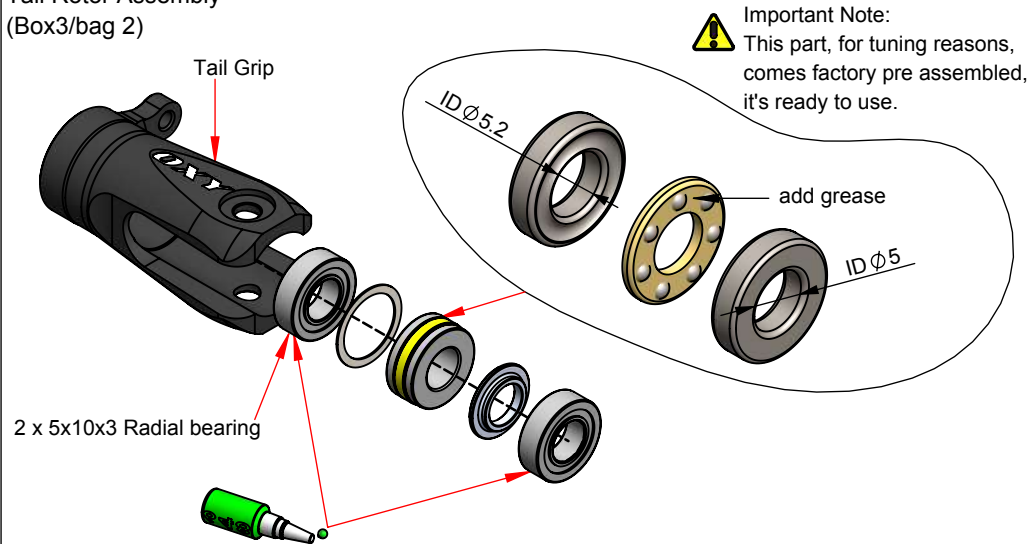
**⚠ Important Note:**  
This part, for tuning reasons, comes factory pre assembled, it's ready to use.

Side Case Assembly  
(Box3/bag 1)



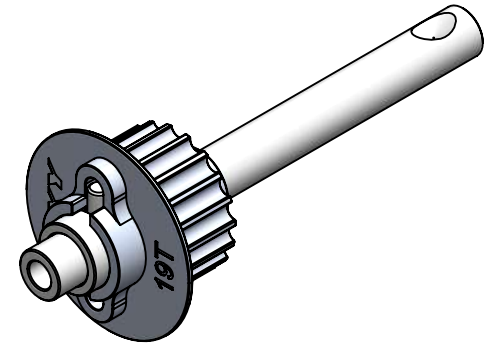
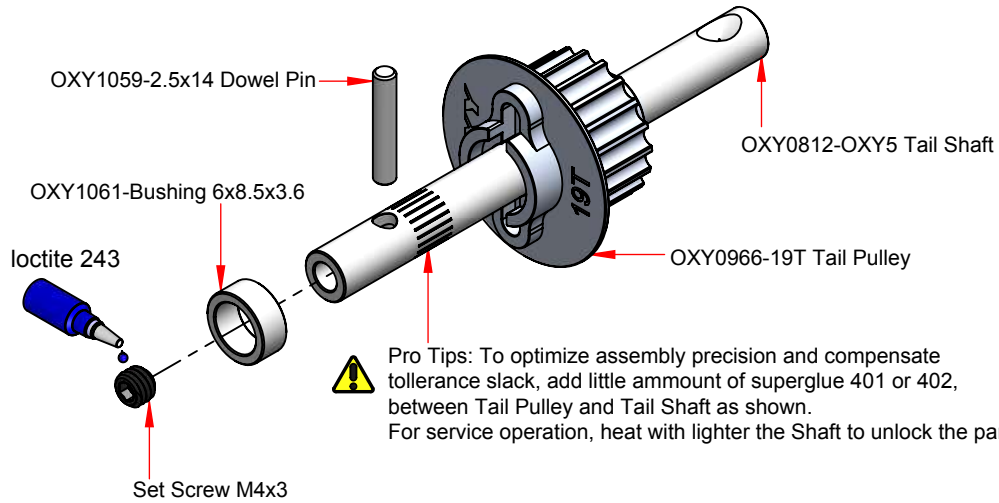
**⚠ Important Note:**  
This part, for tuning reasons, comes factory pre assembled, it's ready to use.

Tail Rotor Assembly  
(Box3/bag 2)

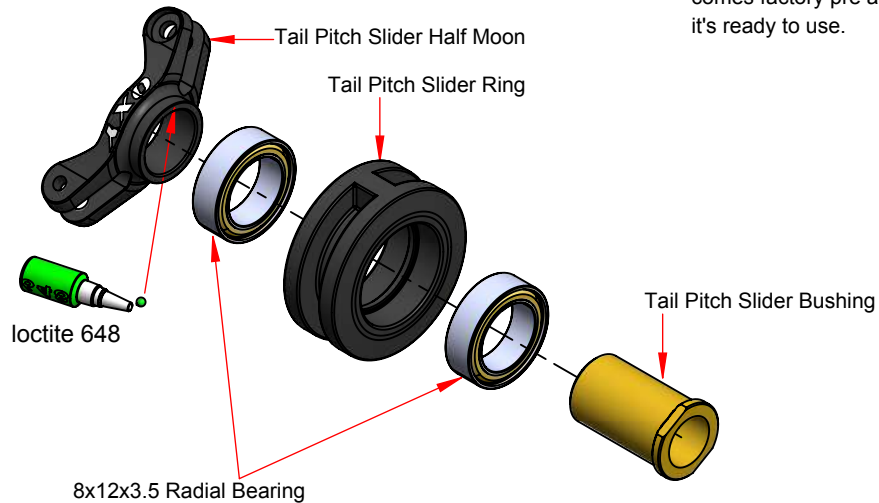




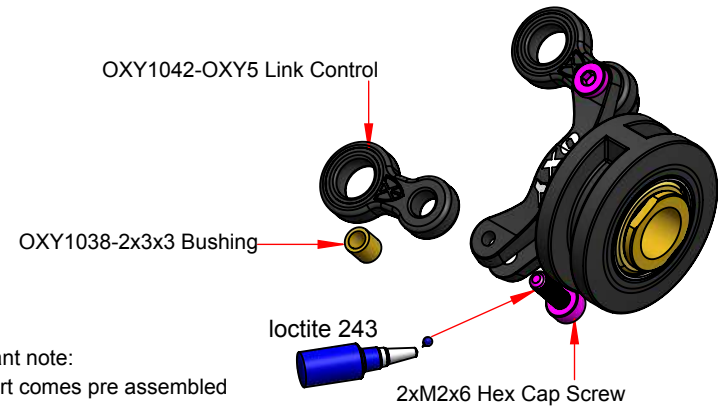
**Tail Shaft Assembly**  
( Box3/bag 3 )



**Tail Pitch Slider Assembly**  
( Box3/bag 4 )

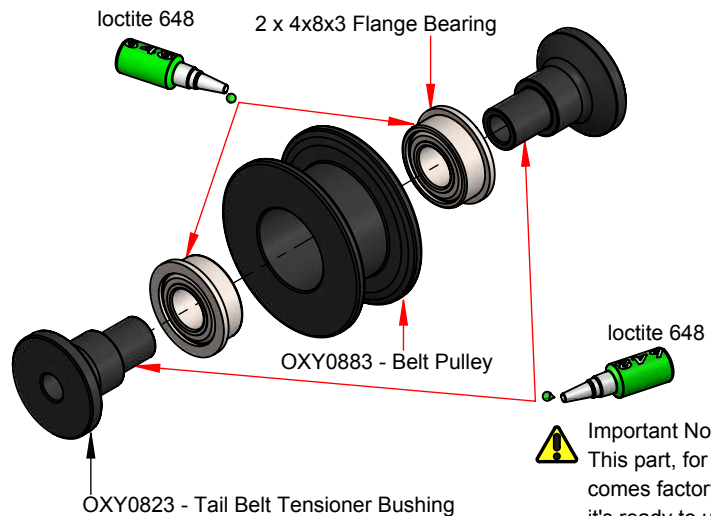


**Important Note:**  
This part, for tuning reasons, comes factory pre assembled, it's ready to use.



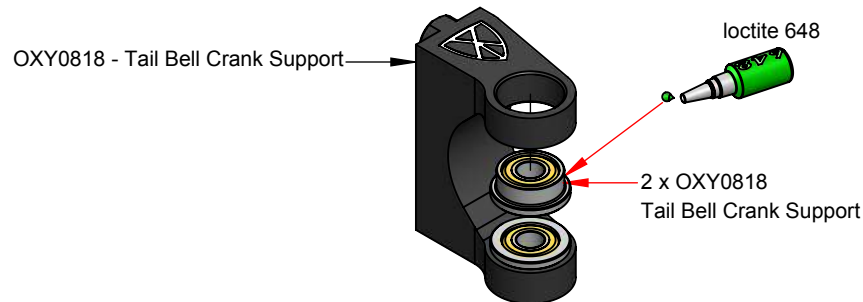
**Important note:**  
This part comes pre assembled WITHOUT thread lock. It MUST be re-assembled with thread lock as shown.

*Tail Belt Crank Support Assembly  
( Box3/bag 5 )*



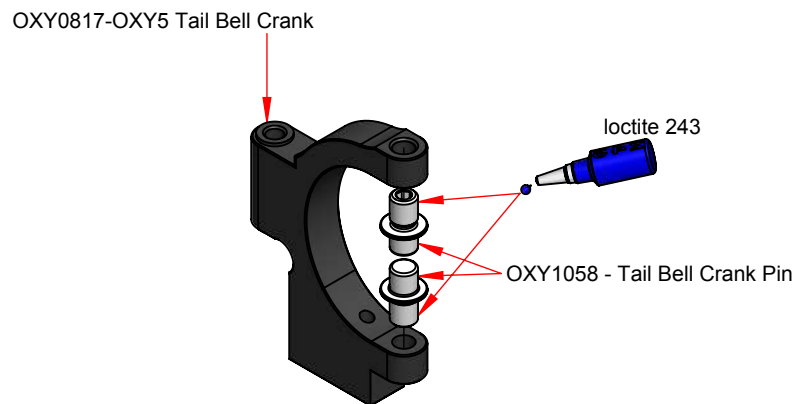
**⚠ Important Note:**  
This part, for tuning reasons, comes factory pre assembled, it's ready to use.

*Tail Belt Crank Support Assembly  
( Box3/bag 5 )*



**⚠ Important Note:**  
This part, for tuning reasons, comes factory pre assembled, it's ready to use.

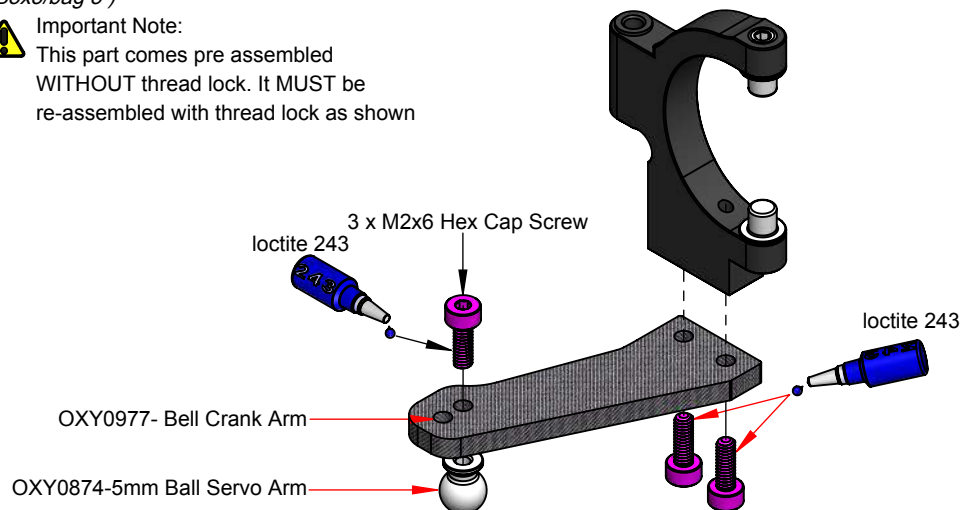
*Tail Belt Crank Support Assembly  
( Box3/bag 5 )*



**⚠ Important Note:**  
This part comes pre assembled WITHOUT thread lock. It MUST be re-assembled with thread lock as shown

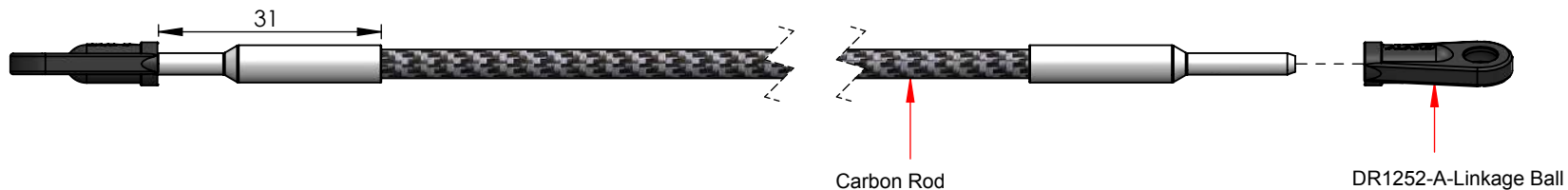
*Tail Belt Crank Support Assembly  
( Box3/bag 5 )*

**⚠ Important Note:**  
This part comes pre assembled WITHOUT thread lock. It MUST be re-assembled with thread lock as shown





## Tail Push Rod Assembly



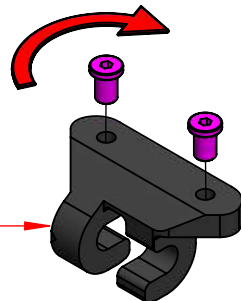
## Step 1



Note: to install this pin screw rotate counter clock wire



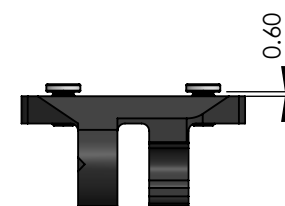
Note Pin Screw Thread: Pin Screw Oxy designed the Pin Screw with a counter clockwise thread. This will help on the final locking operation. Be careful to follow our instructions to get a perfect assembly



OXY0620-Guide  
Push Rod

## Step 2

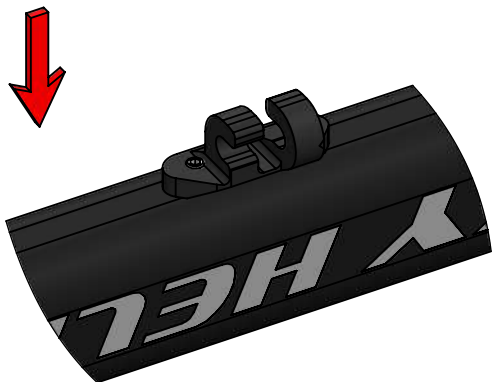
Note: Install the Pin Screw and leave a gap as shown.



0.60

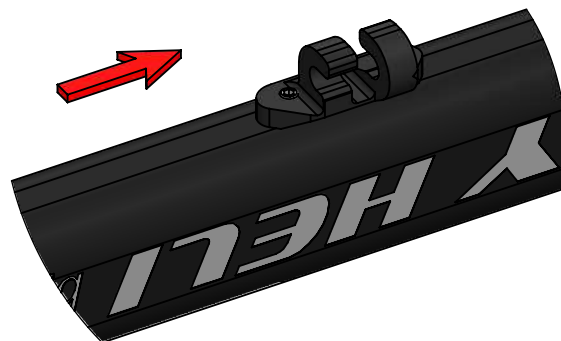
## Step 3

Push the part inside the boom sockets as shown



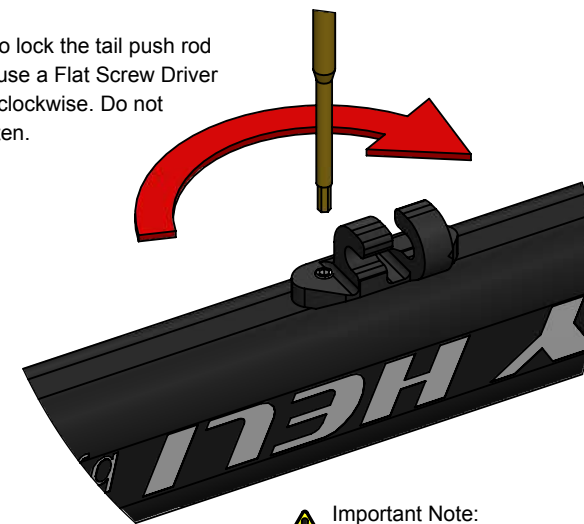
## Step 4

Slide the parts as shown

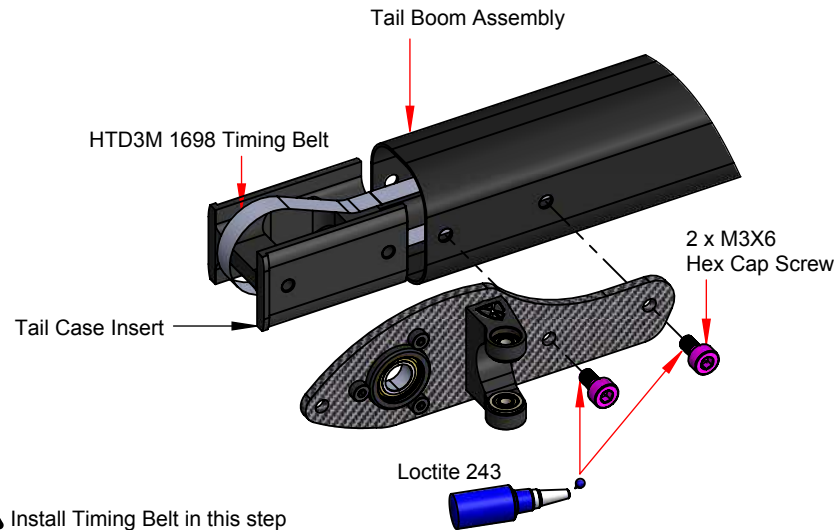
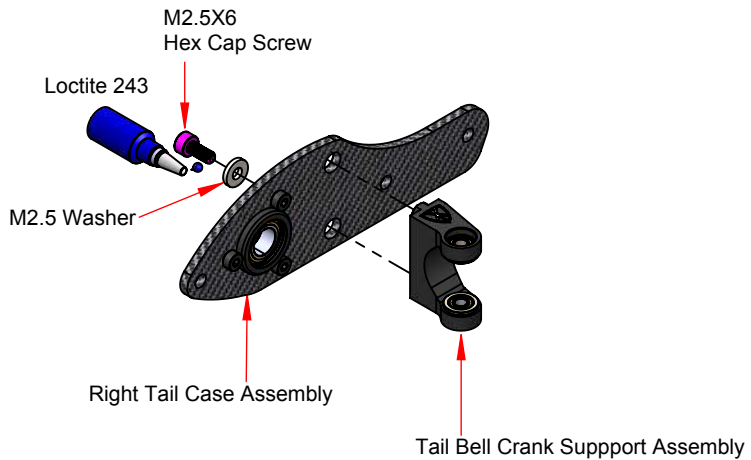


## Step 5

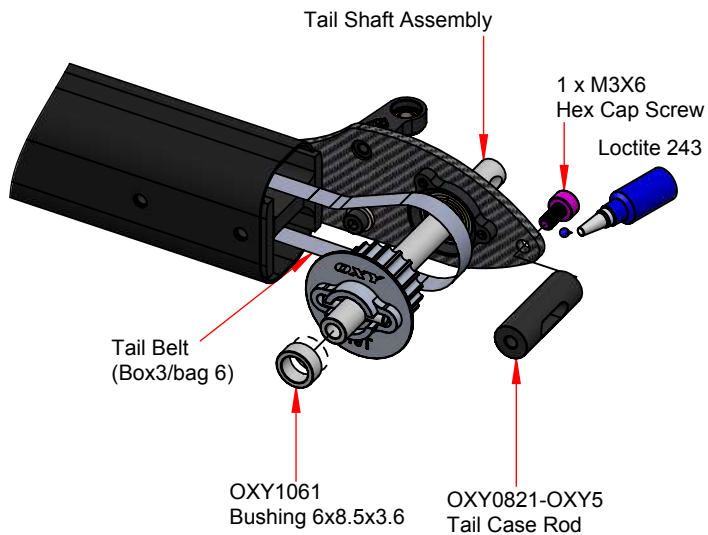
In order to lock the tail push rod support, use a Flat Screw Driver and turn clockwise. Do not over tighten.



Important Note:  
This part, for tuning reasons,  
comes factory pre assembly,  
it's ready to use.

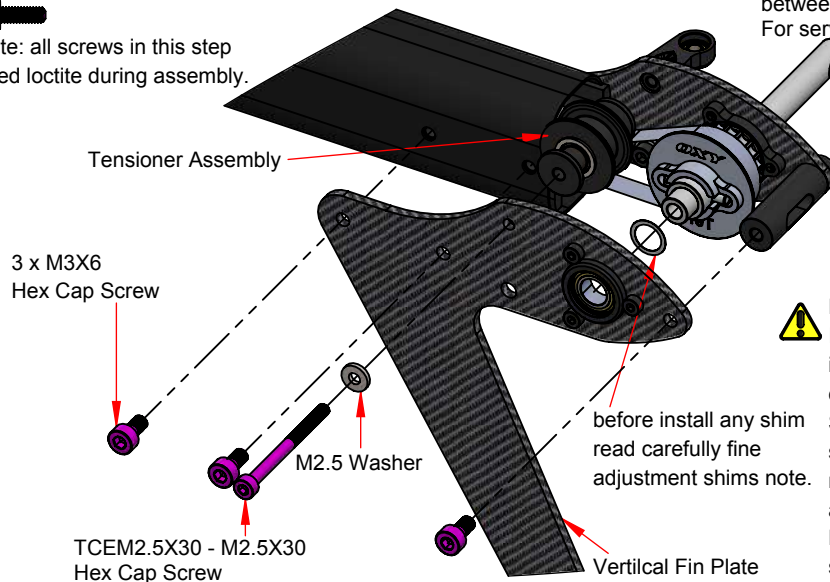


**⚠** Install Timing Belt in this step



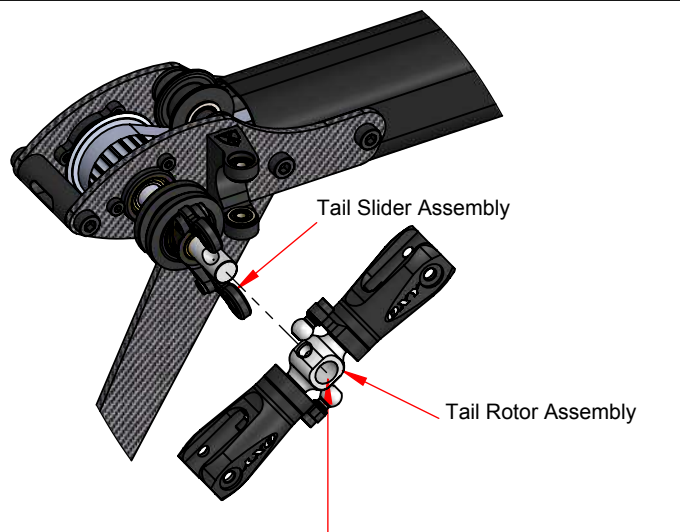
Loctite 243

**⚠** Note: all screws in this step need loctite during assembly.

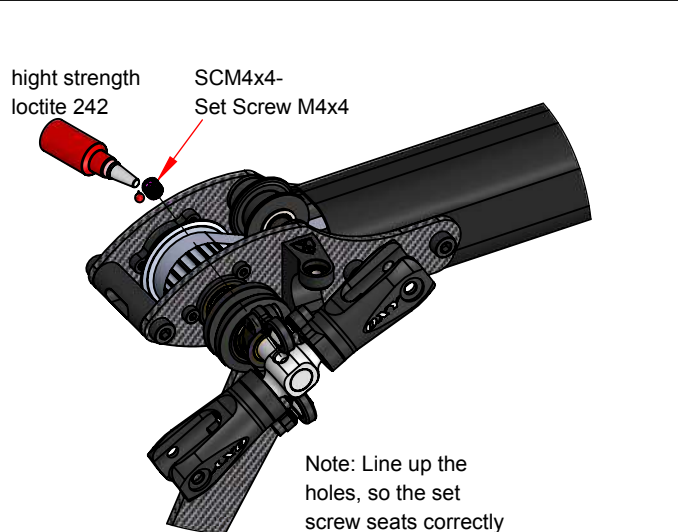



Pro Tips: To optimize assembly precision and compensatetolerance slack, add little amount of superglue 401 or 402, between Tail Case Bearing and Tail Shaft as shown. For service operation, gently push out the shaft.

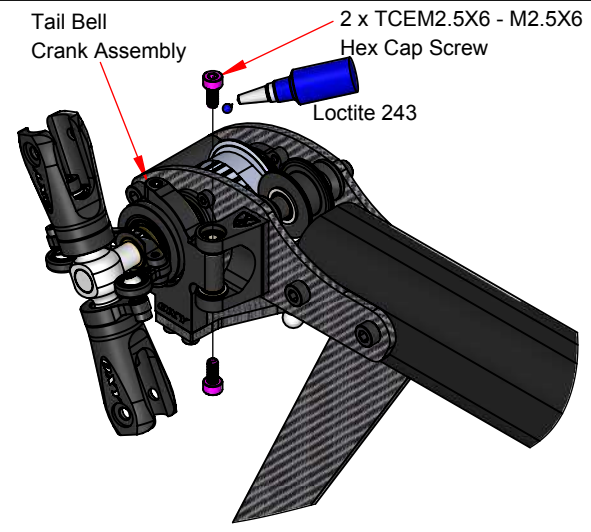
**⚠** Fine Adjust Shims Note : In order to give fine adjustment options, in the Extra Hardware Bag you will find extra shims 6X8X0.1. Start assembly WITHOUT any shims. If Tail Shaft has sideways play more than 0.2mm, add shims as required, to one side, as shown. PRO TIPS: For best Tail performances little side play is recommended.




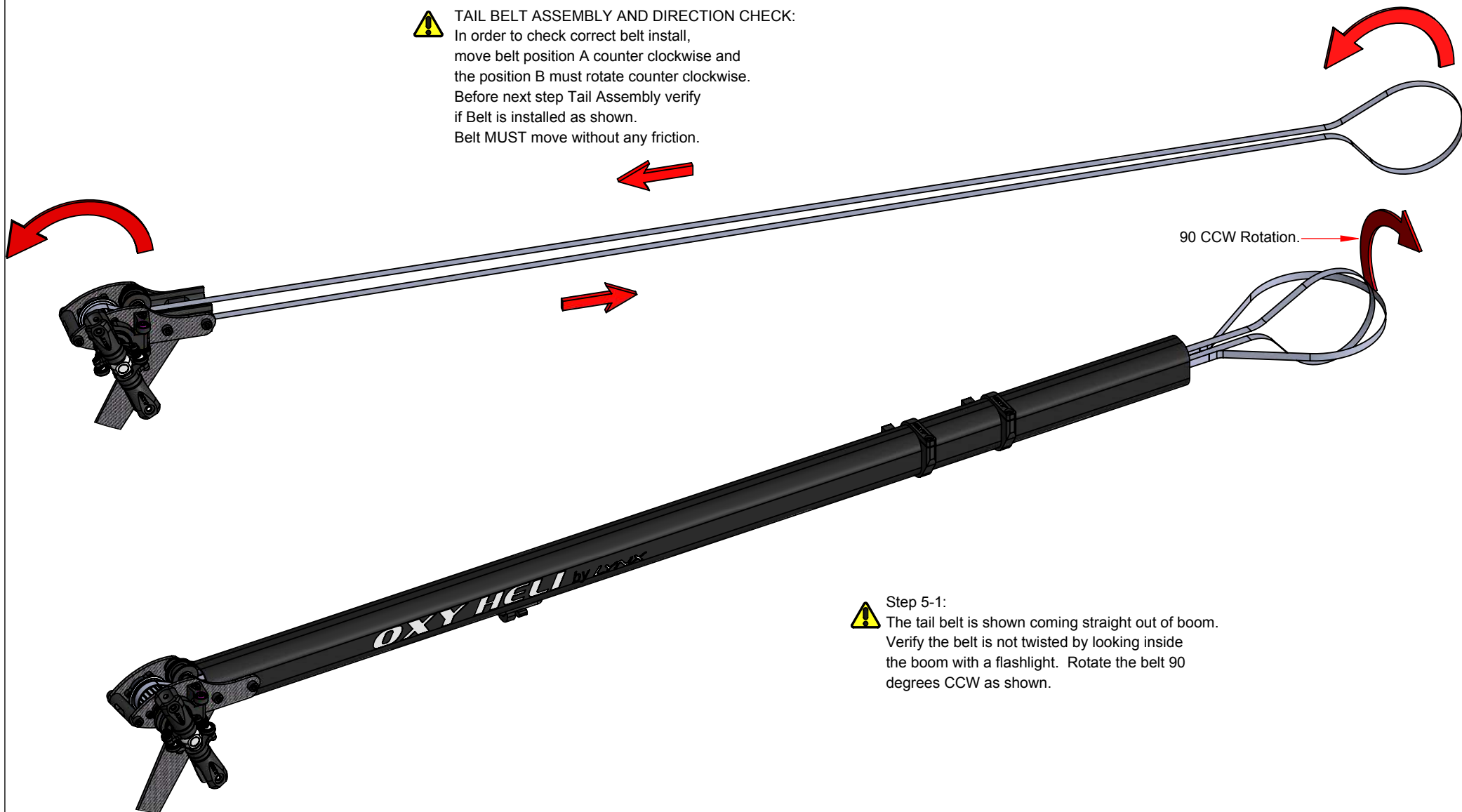
Pro Tips: add little ammount of loctite 243 between Tail Hub and Tail Shaft , will increase the assemby precision and strenght.  
For service operation, heat with lighter the Hub and unlock lockthread.




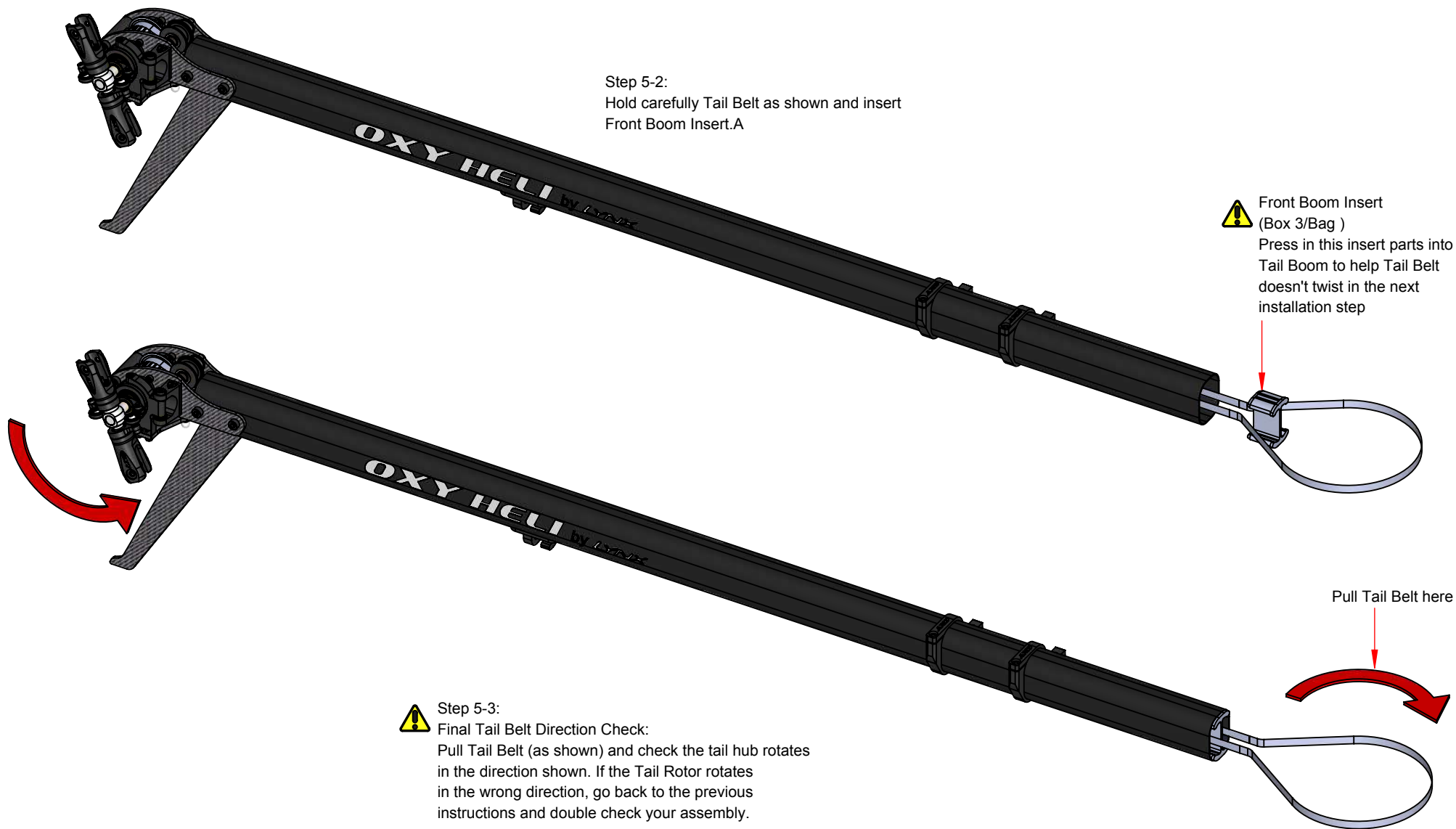
Note: Line up the holes, so the set screw seats correctly into tail shaft lock hole and lock tighten.  
 For service operation, heat with lighter the Hub and unlock lockthread.



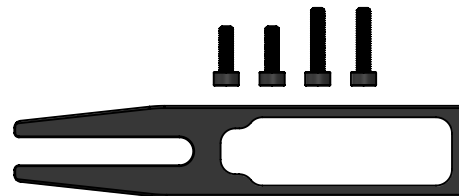
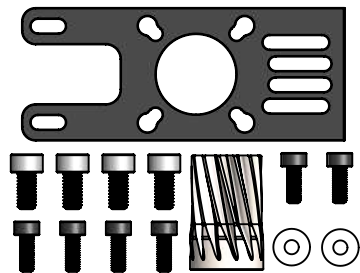
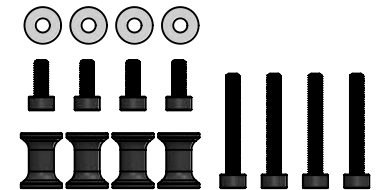
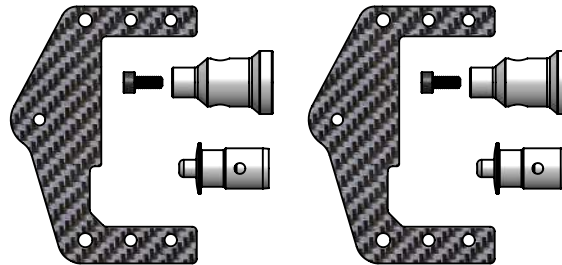
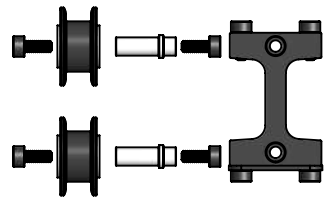
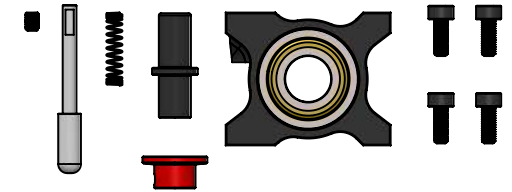
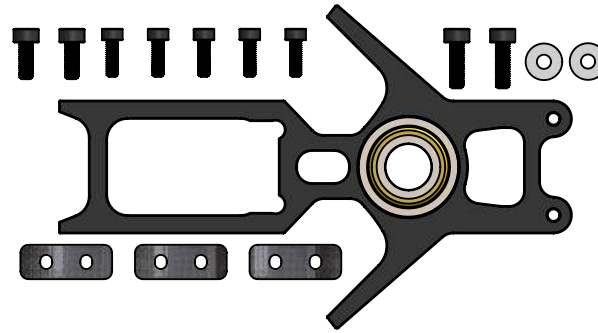
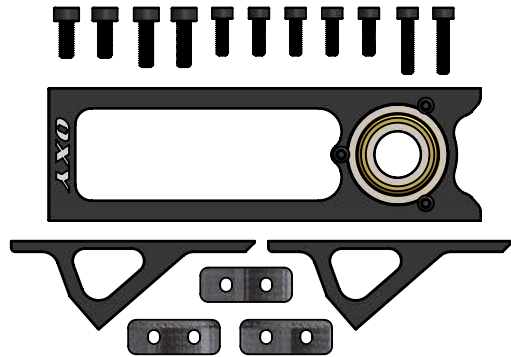
 **TAIL BELT ASSEMBLY AND DIRECTION CHECK:**  
 In order to check correct belt install,  
 move belt position A counter clockwise and  
 the position B must rotate counter clockwise.  
 Before next step Tail Assembly verify  
 if Belt is installed as shown.  
 Belt **MUST** move without any friction.



 **Step 5-1:**  
 The tail belt is shown coming straight out of boom.  
 Verify the belt is not twisted by looking inside  
 the boom with a flashlight. Rotate the belt 90  
 degrees CCW as shown.

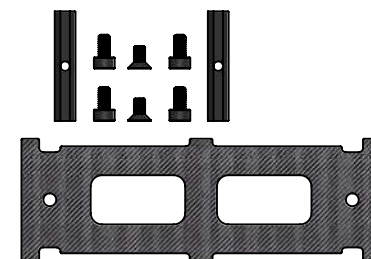
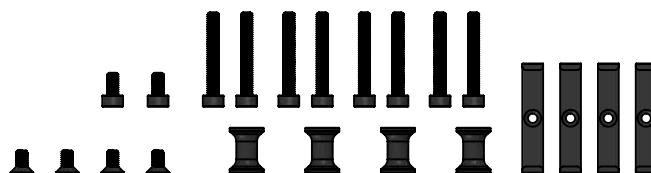
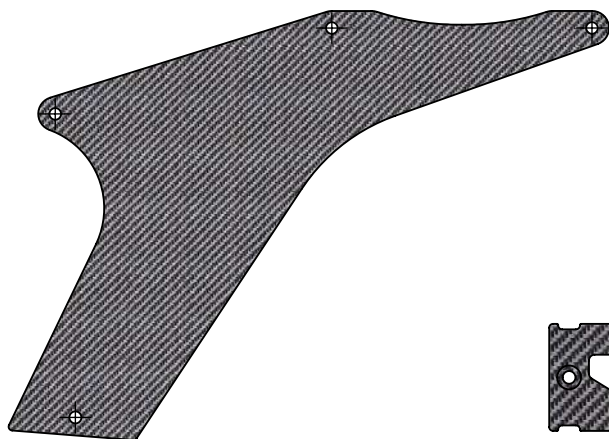
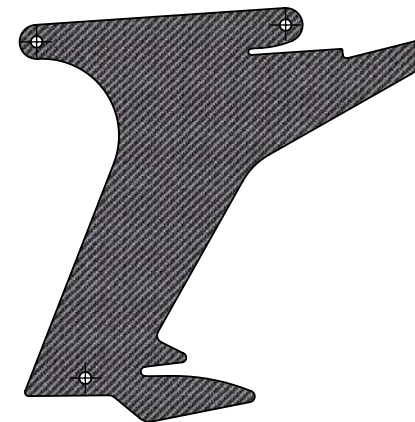
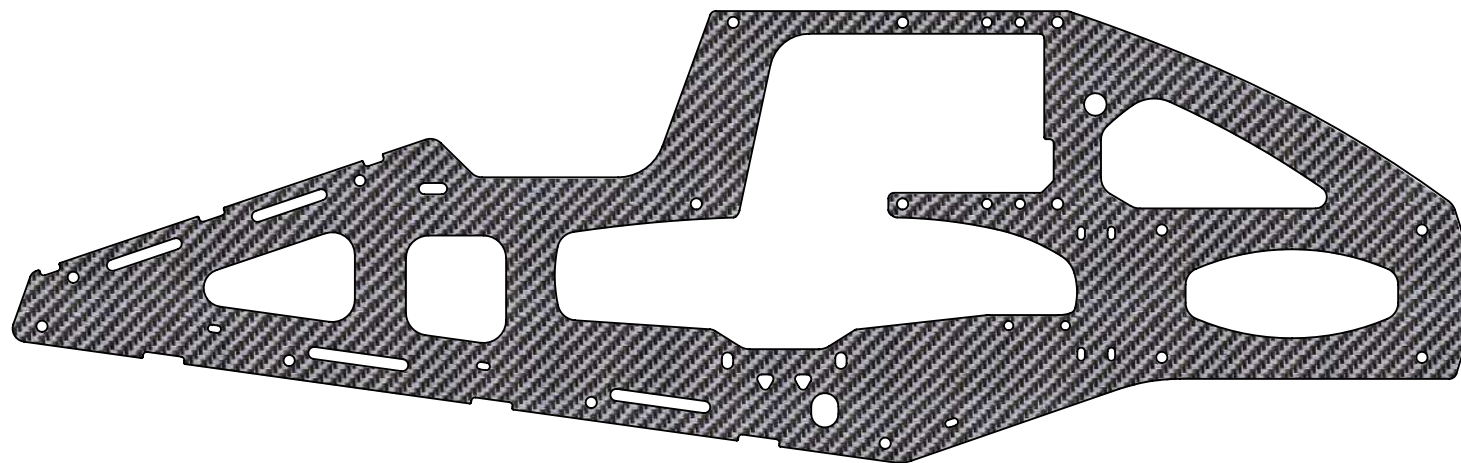


# Frame Set Assembly Parts 1/2

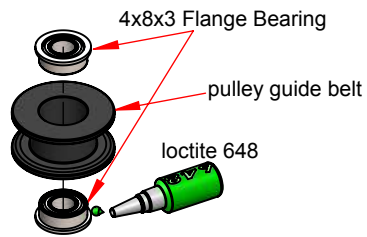




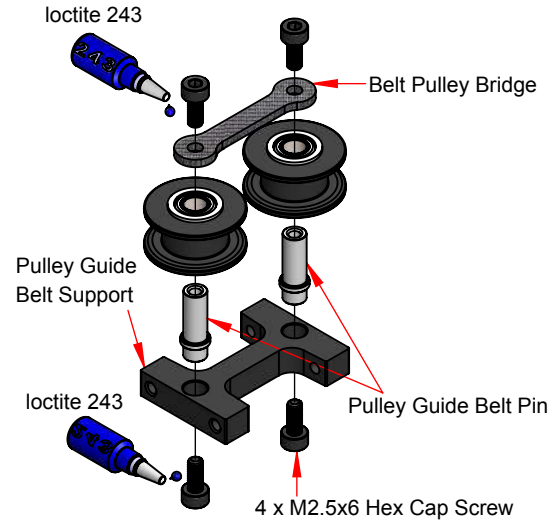
Frame Set Assembly part 2/2



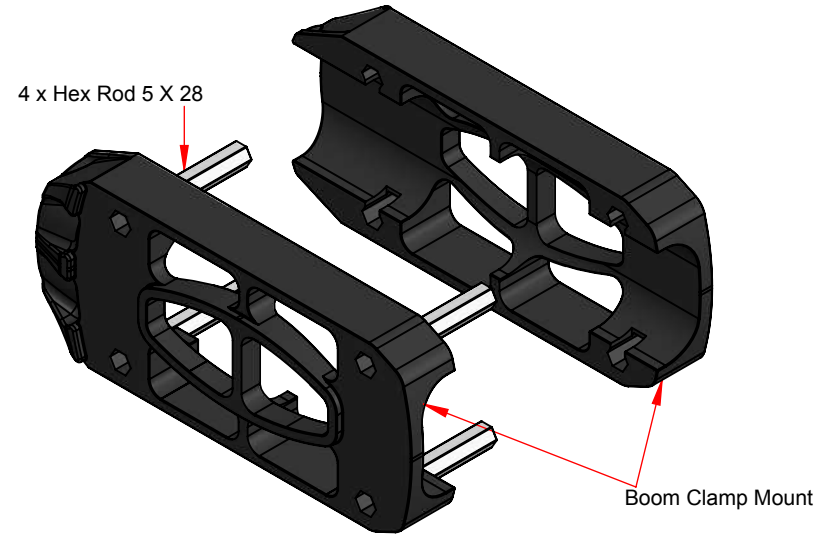
**Front Pulley Guide Belt**  
( Box3/bag 8 )



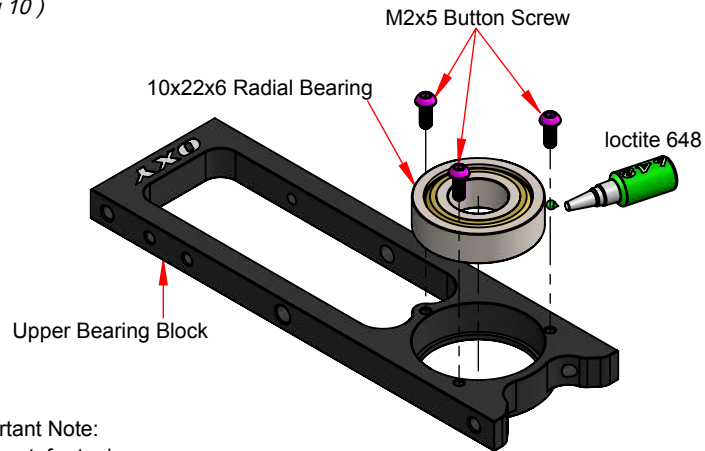
**Important Note:**  
This part, for tuning reasons, comes factory assembled, it's ready to use.



**Boom Clamp Mount**  
( Box3/bag 9 )

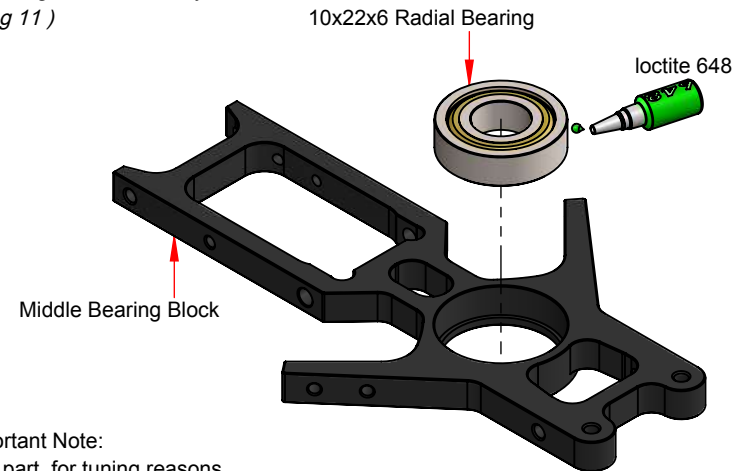


**Upper Bearing Block Assembly**  
( Box3/bag 10 )



**Important Note:**  
This part, for tuning reasons, comes factory assembled, it's ready to use.

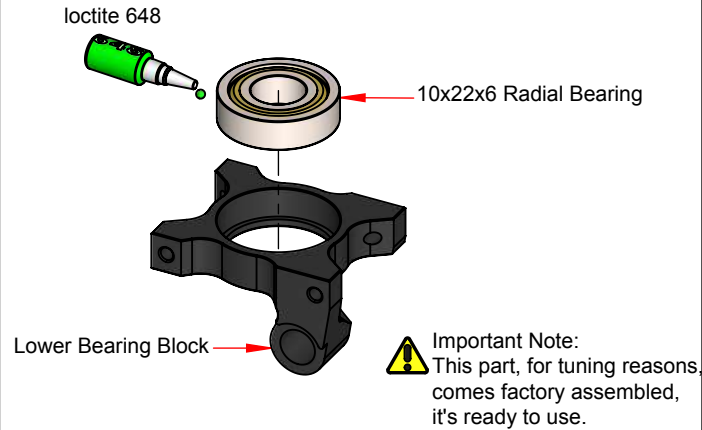
**Middle Bearing Block Assembly**  
( Box3/bag 11 )



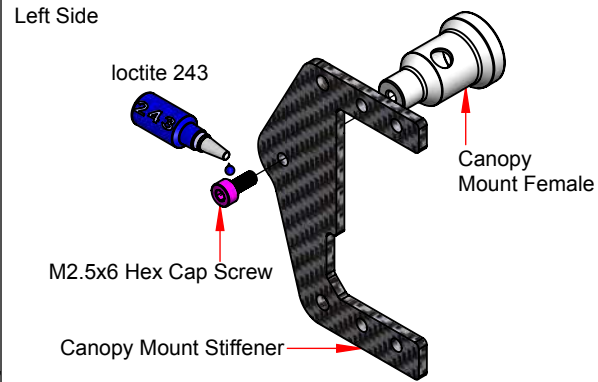
**Important Note:**  
This part, for tuning reasons, comes factory assembled, it's ready to use.



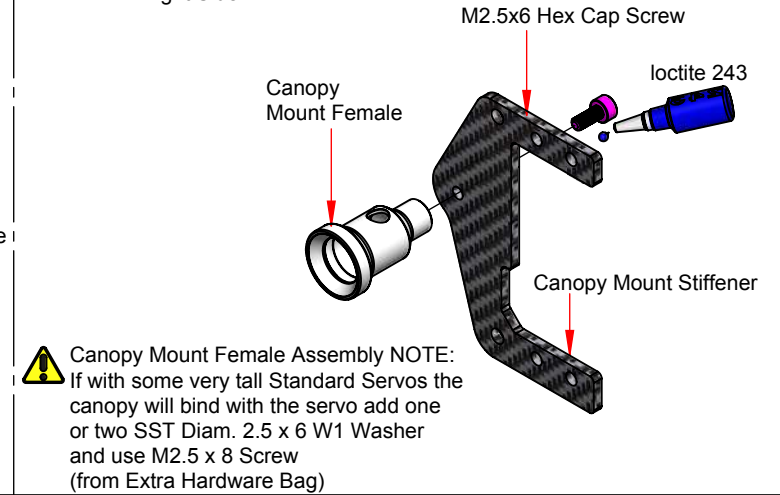
**Lower Bearing Block Assembly**  
( Box3/bag 12 )



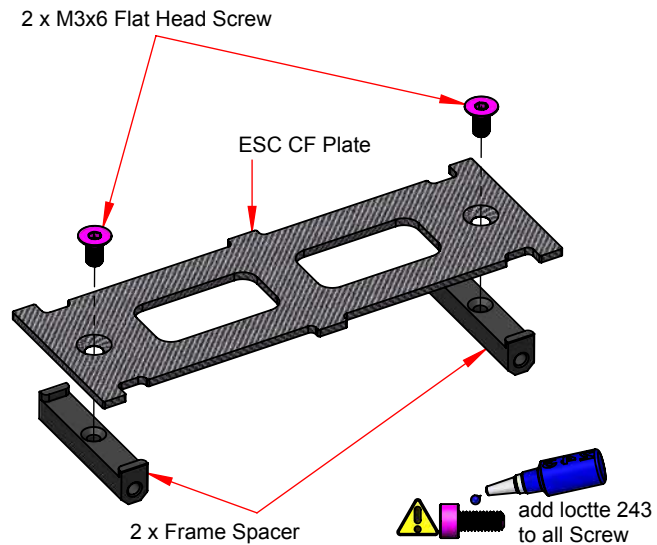
**Canopy Mount Assembly**  
( Box3/bag 13 )



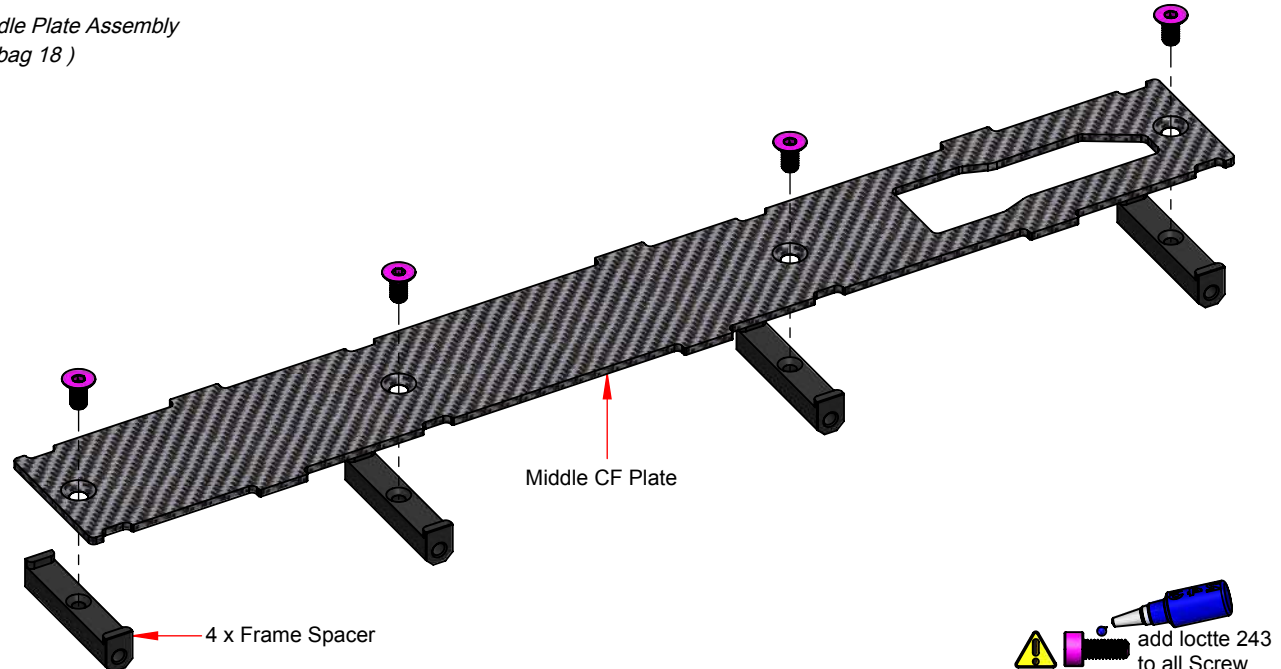
Right Side



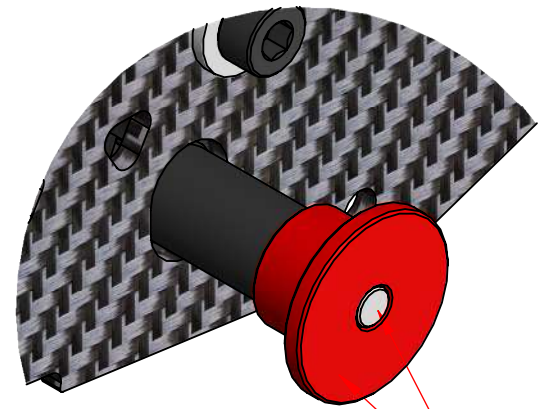
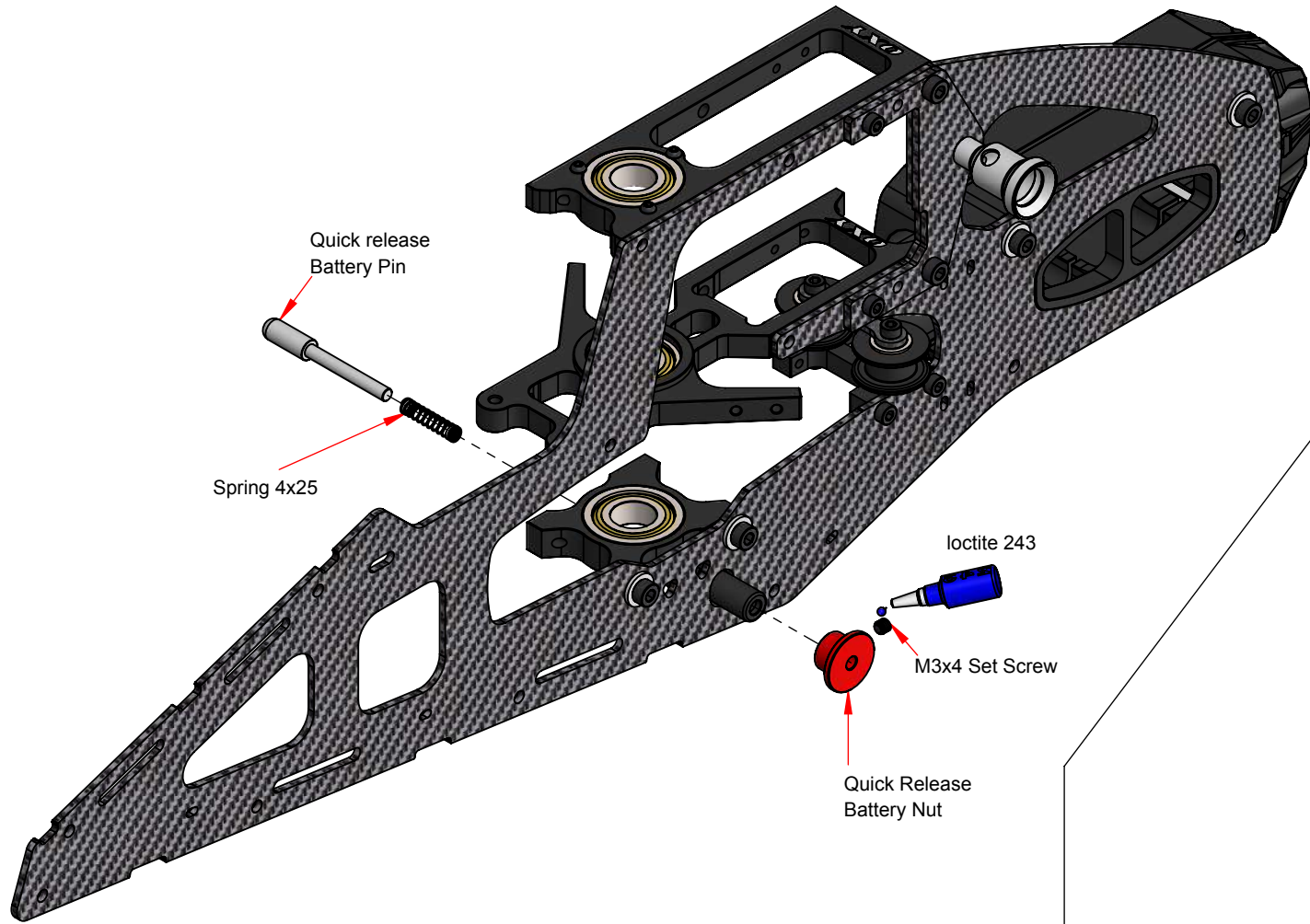
**ESC Plate Assembly**  
( Box2/bag 17 )




**CF Middle Plate Assembly**  
( Box2/bag 18 )

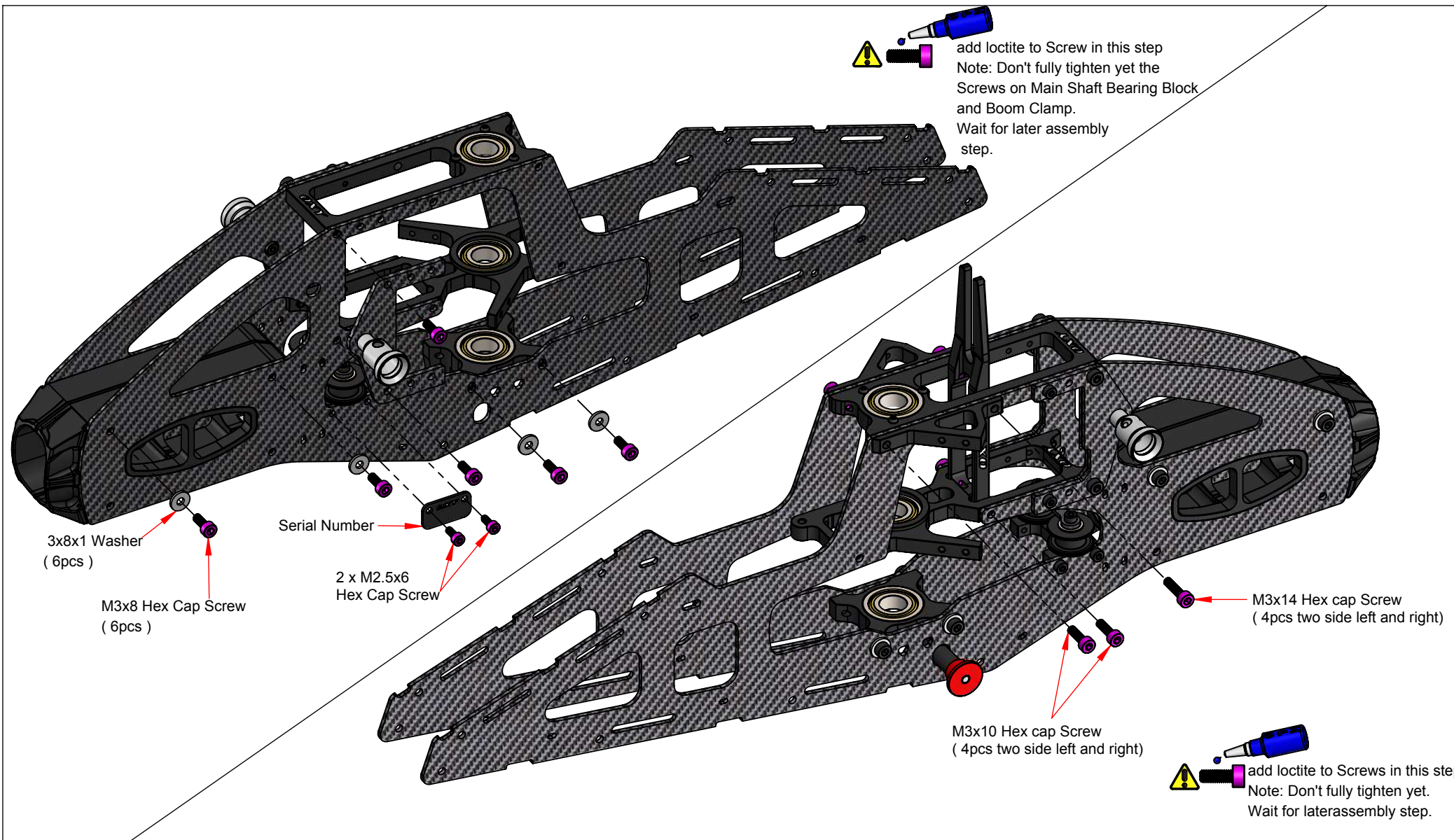


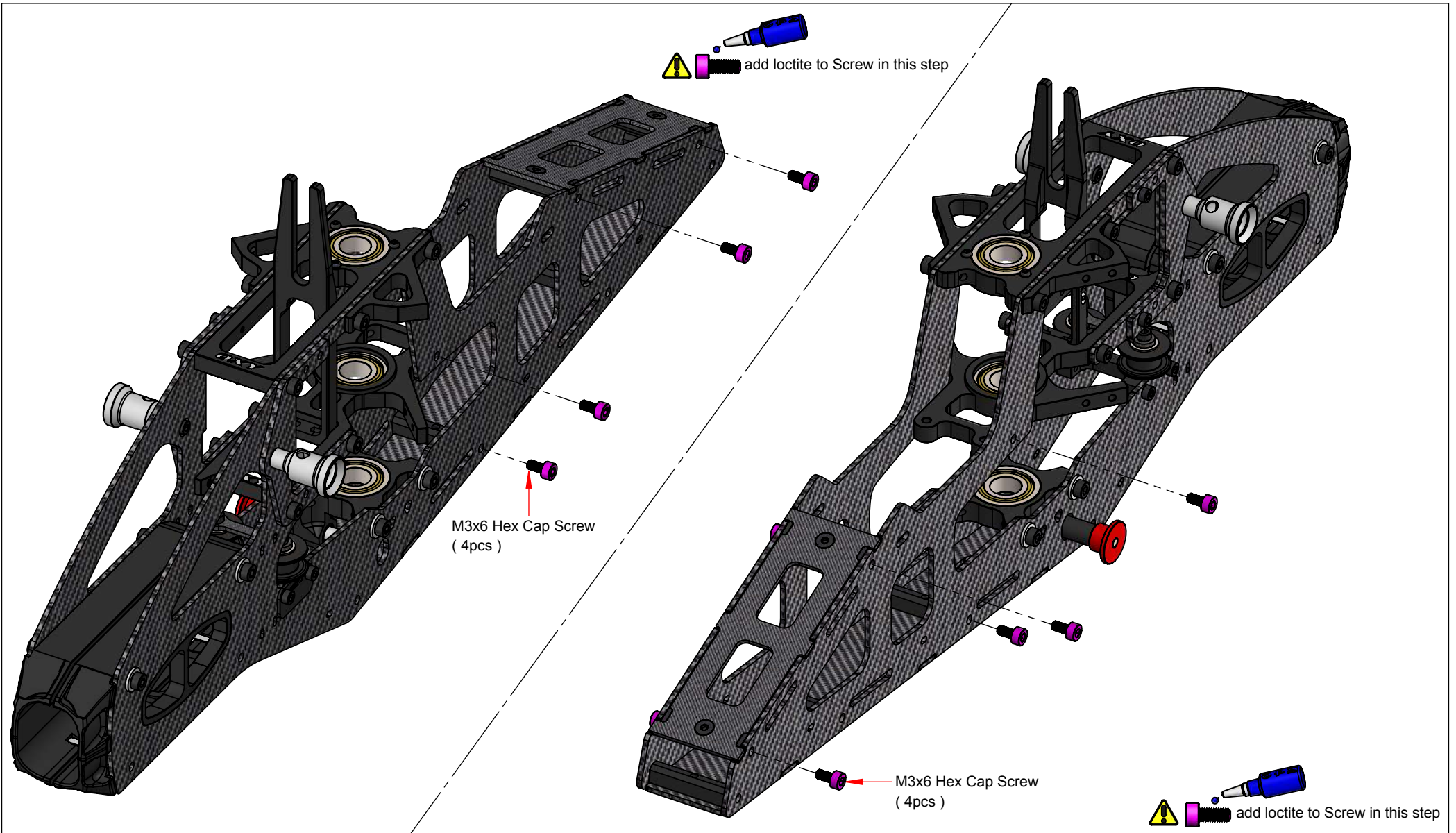




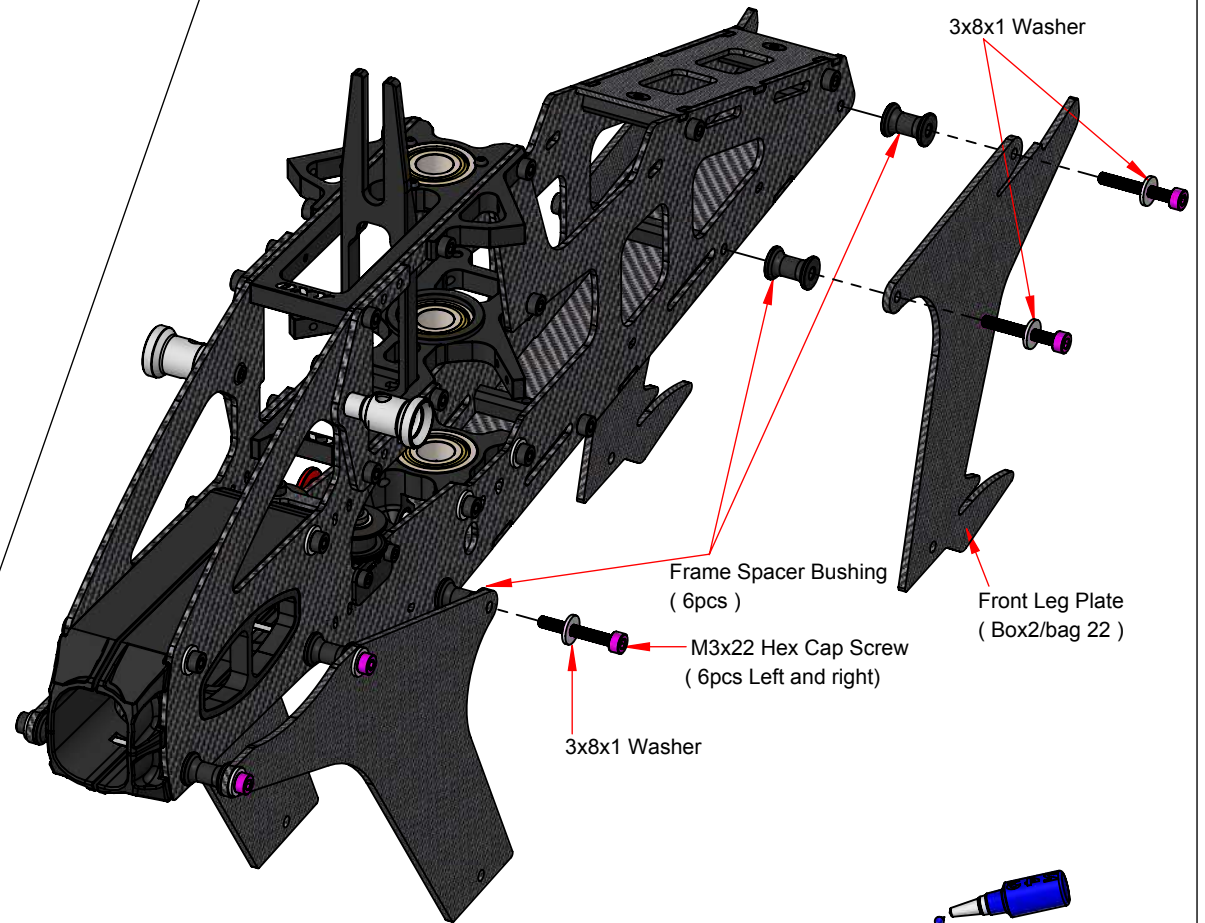
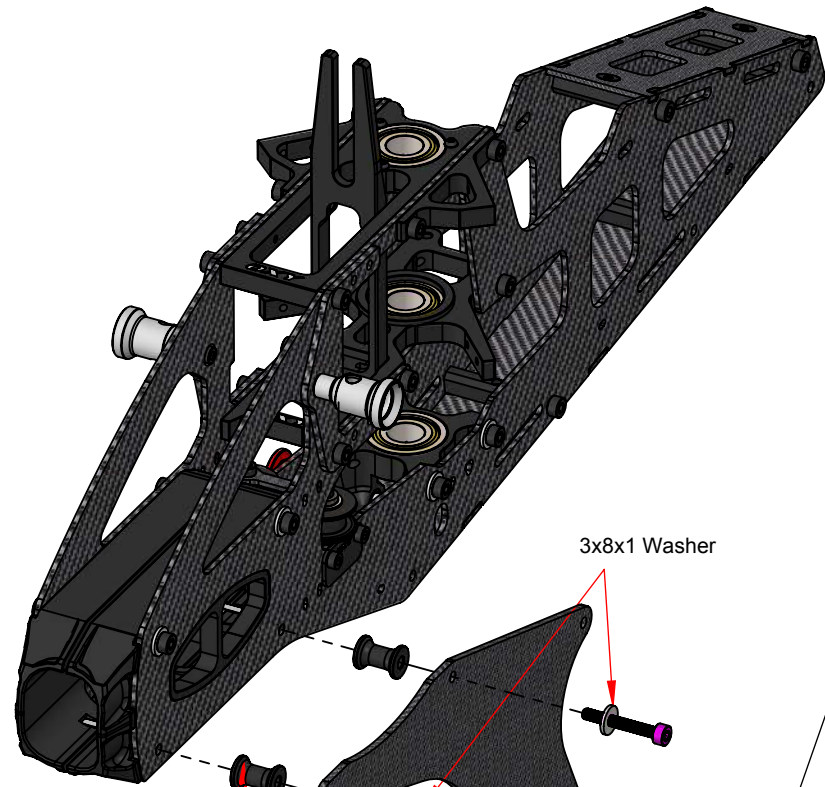
 Quick Release Battery Nut and Pin must be flush after installation











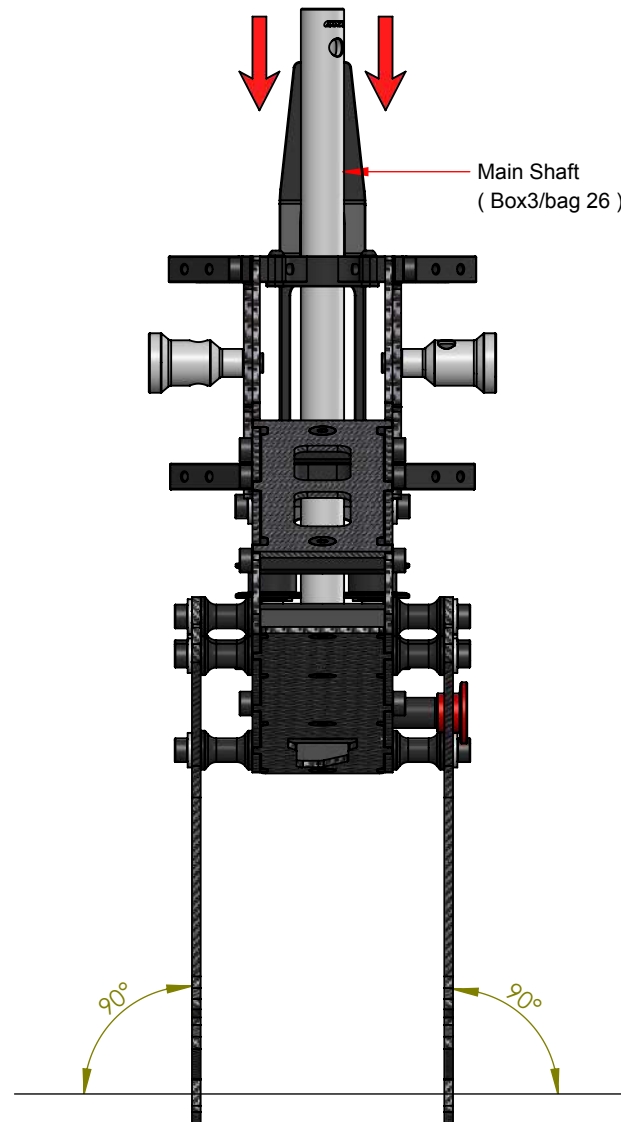




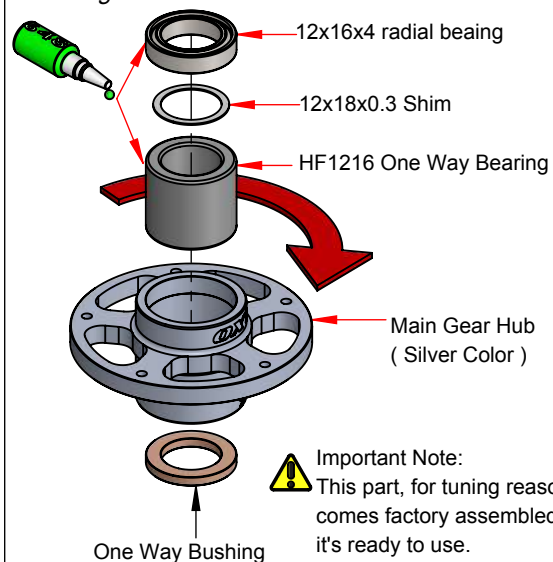
  add loctite 243 to All Screws in this step  
 Note: Don't fully tighten yet. until next step.

  Add loctite 243 to All Screws in this step.

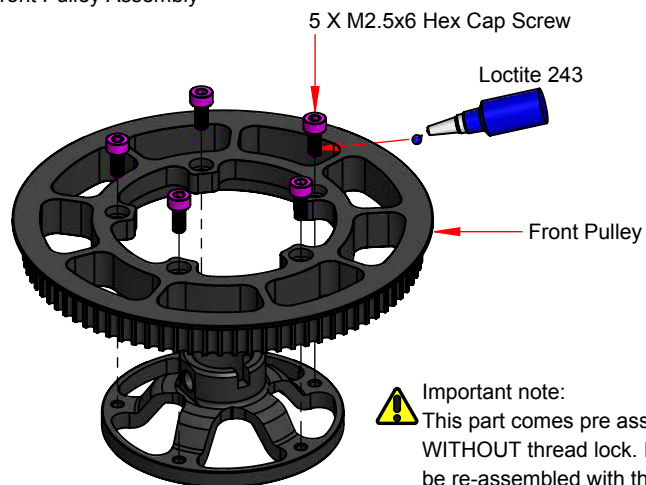
 Install main shaft with frame assembly on a flat surface, push down on both frames together and then fully tighten all Hex Cap Screws (x14) holding the Upper and Middle bearing blocks.



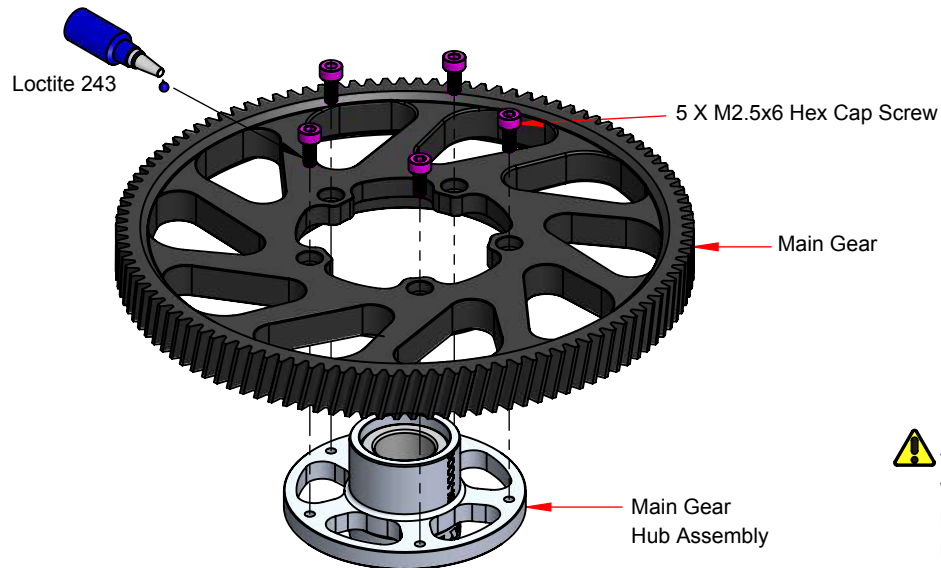
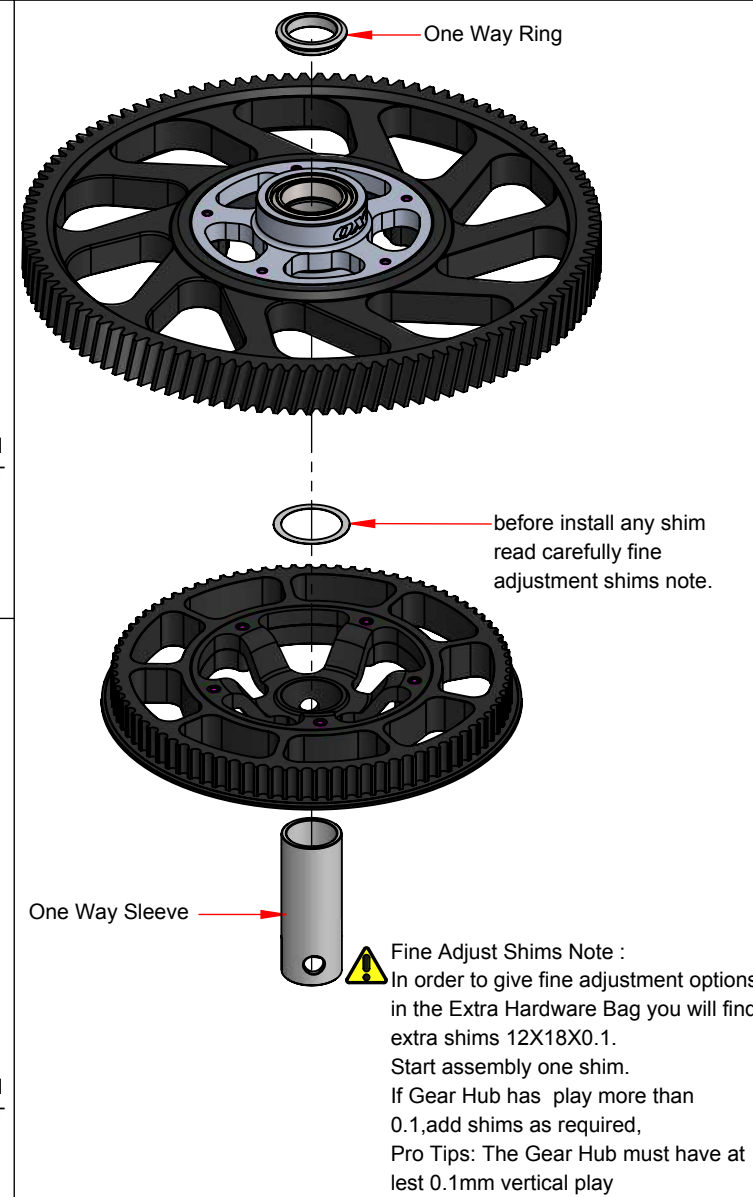
**Main Gear Hub Assembly**  
Box3/bag 23



**Front Pulley Assembly**

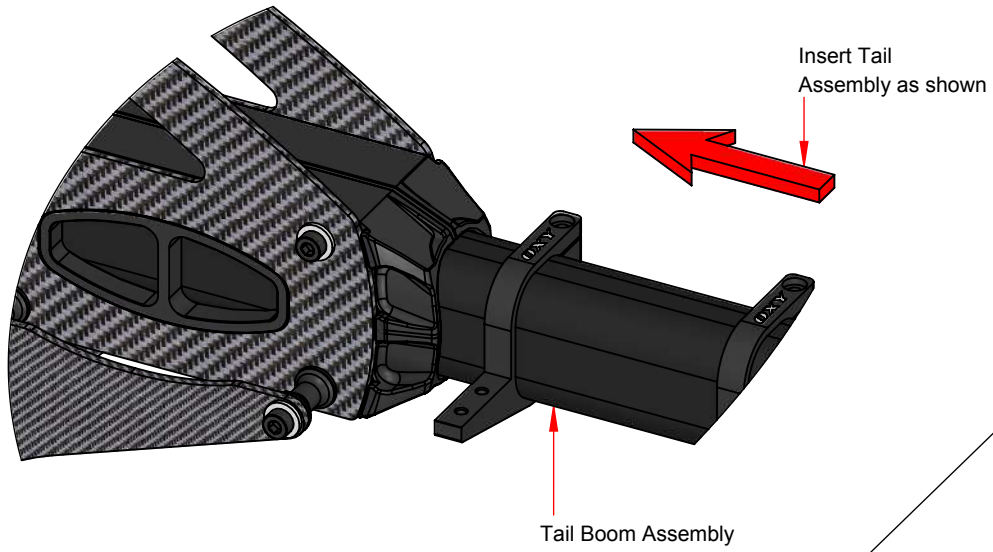



**Important note:**  
This part comes pre assembled WITHOUT thread lock. It MUST be re-assembled with thread lock as shown.

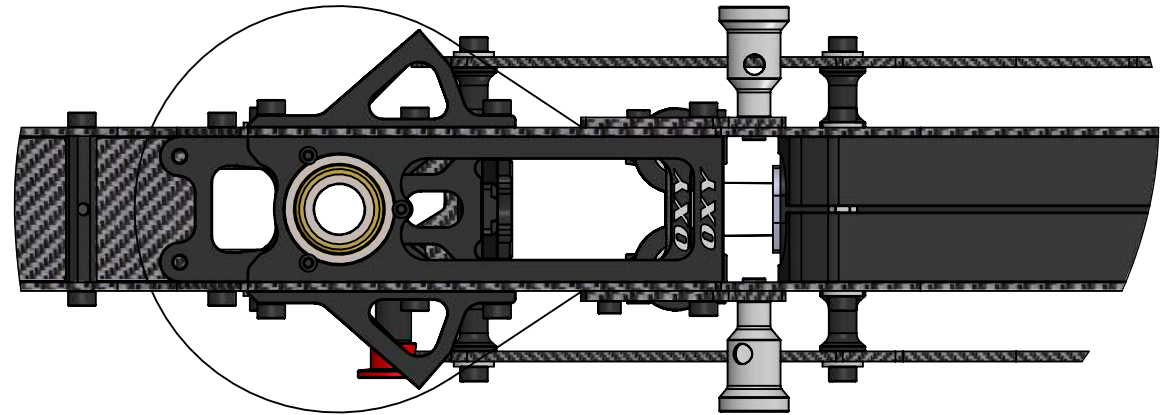


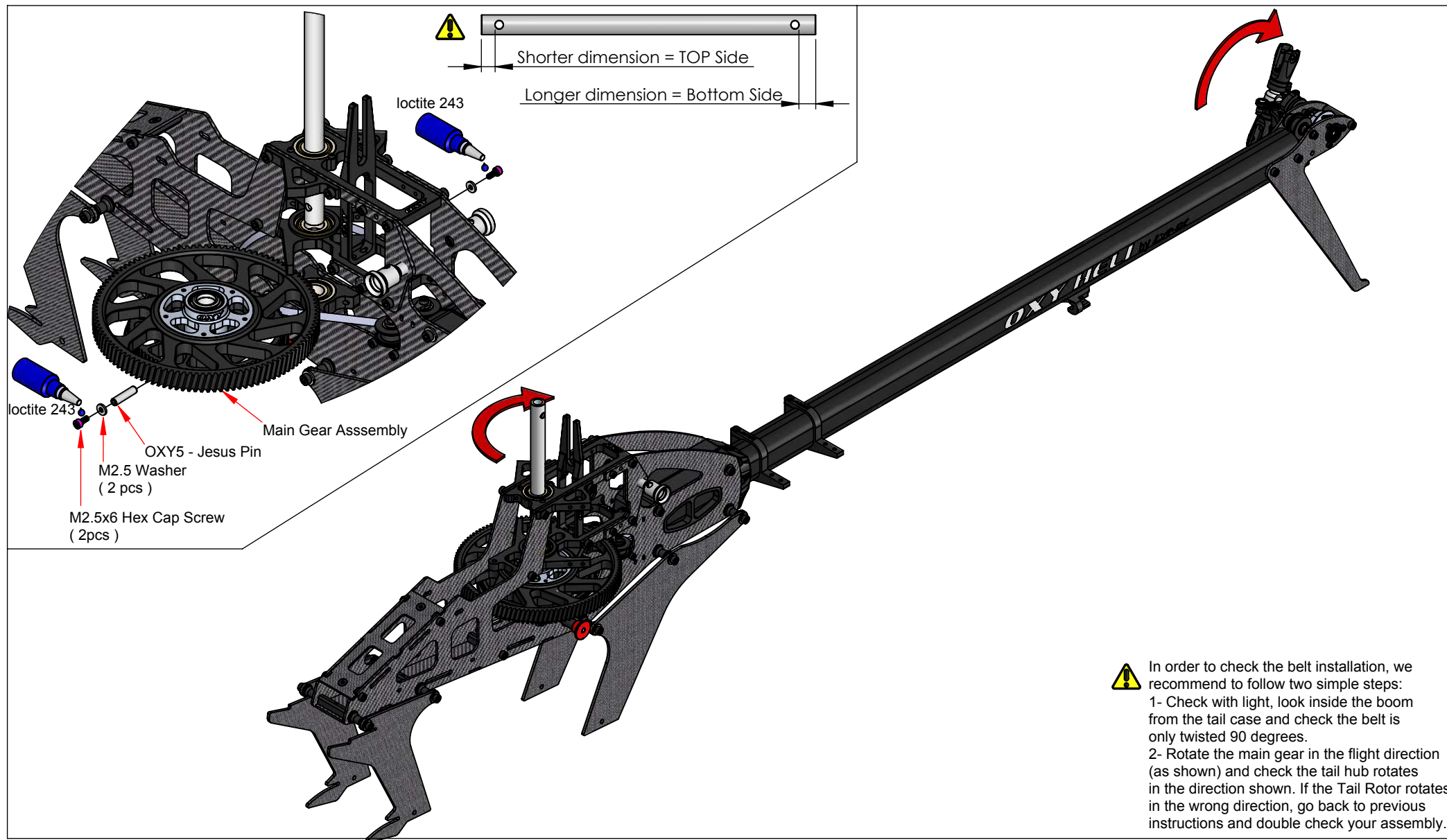
**Important note:**  
This part comes pre assembled WITHOUT thread lock. It MUST be re-assembled with thread lock as shown.

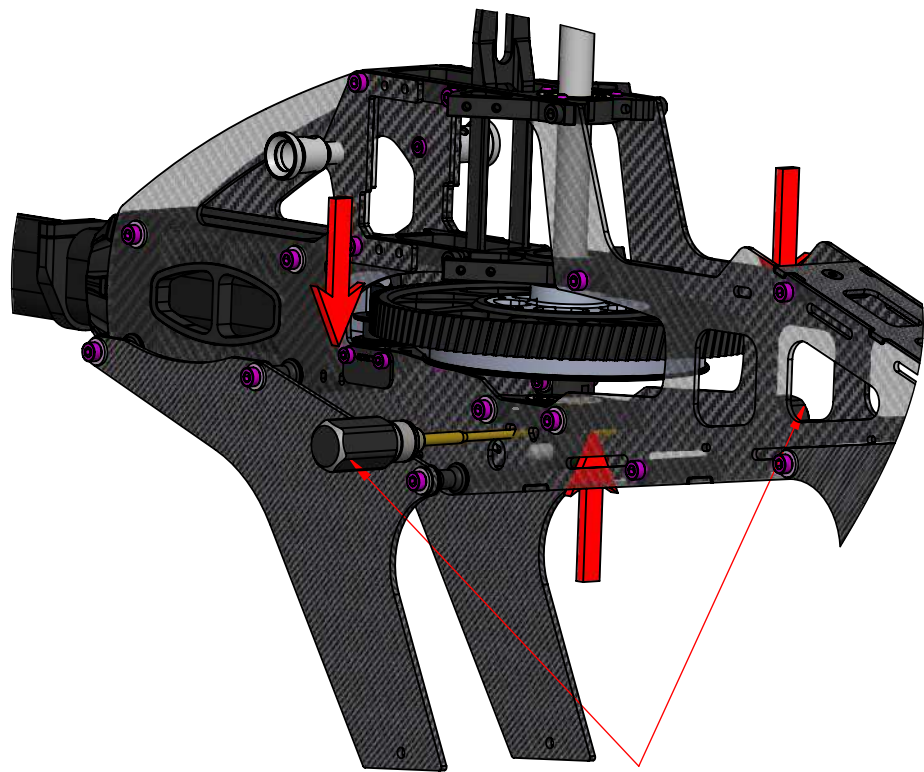




 Before next assembly step verify Tail Belt assembly position as shown.

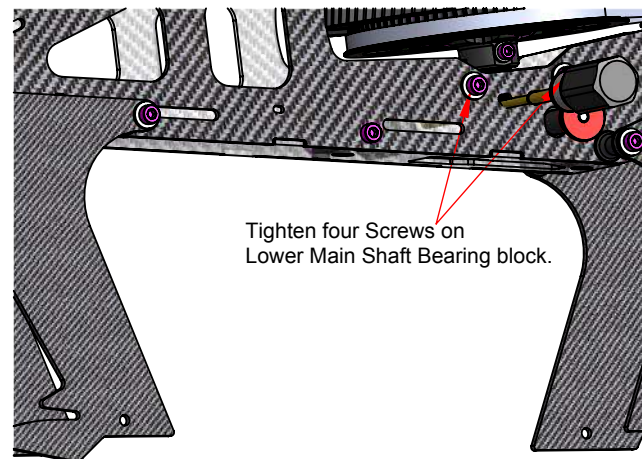






Use Two Screw Driver to lift up  
Lower Main Shaft Bearing block

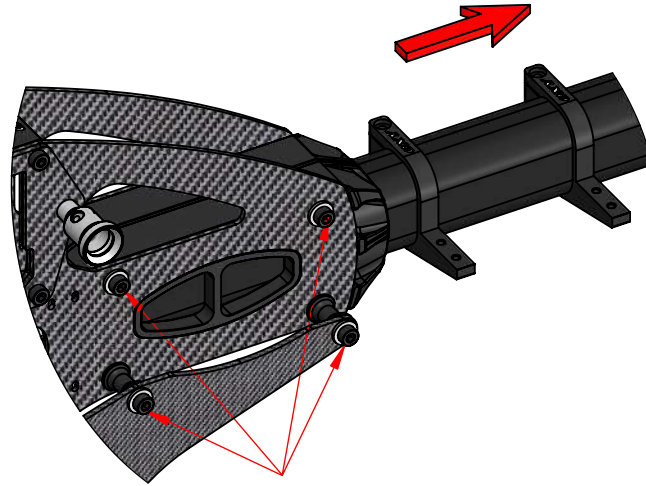
In order to remove Main Shaft vertical play, Lower Bearing Block MUST move UP!  
To remove eventually residual Main Shaft vertical play, gently increase Jesus Pin Screw tighten.



Tighten four Screws on  
Lower Main Shaft Bearing block.

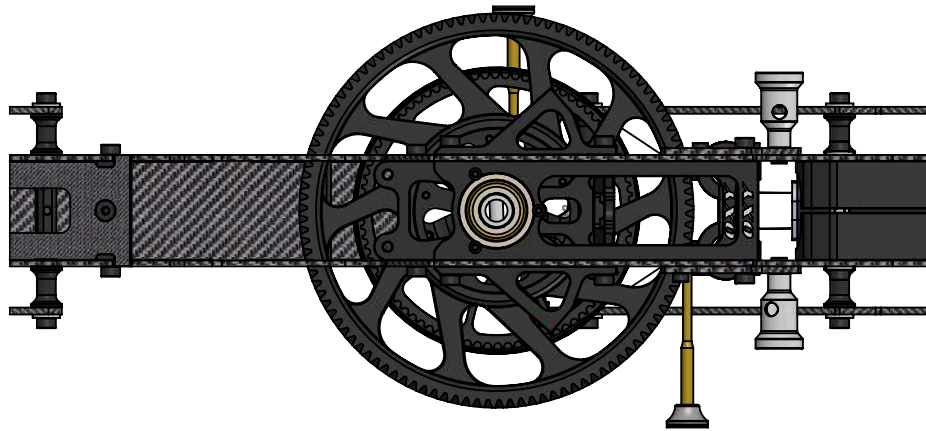



Lower bearing block adjustment. The lower bearing block locks the main gear assembly and shaft in position to prevent vertical movement. Begin by lightly setting mounting screws so that the block will stay, but still move. Using 2 Allen drivers through holes in frame to move the lower bearing block upwards till no more movement then tighten the mounting screws. Once adjusted, you should be able to replace main gear assembly without change to lower bearing block position.



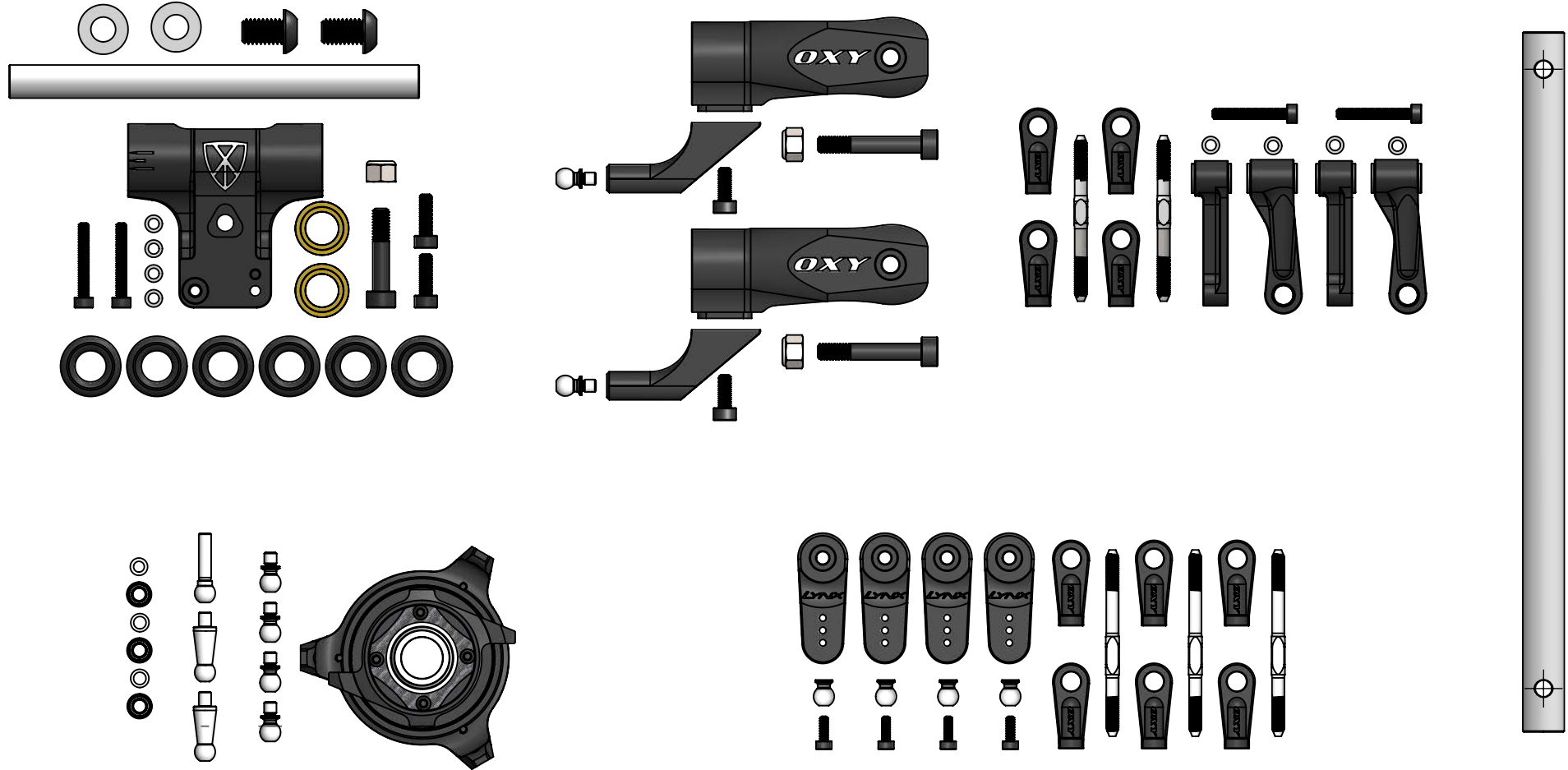
Pull Tail Boom and lock  
all Screw on Boom Mount

- Be sure the boom is assembled and installed correctly.
- Loosen the tail boom by loosening the eight Hex Cap Screws on Boom Mount.
- Adjust the Belt tension by pulling on the Tail Boom.
- Tighten the eight Hex Cap Screws on Boom Mount.
- The belt must have good tension. We suggest re-checking after a few flights. We suggest to check belt tension often, before each flying session.
- If spool up get difficult, may Tail Belt is over tight, recheck and eventually loose Belt tension little bit
- If the belt is often loose, you should check the lock system or belt integrity.
- Tests show that a hard 3D pilot can perform over 400 flights before the belt will fail. We recommend replacing the Tail Belt after 300 flights, even if it does not show wear, to avoid it breaking unexpectedly in flight.
- After a crash, spend some time checking Belt integrity and replace if any teeth are missing.



-  Use a Screw Driver to check Belt Tension (suggested max deflection is 1mm)
- Note: We recommend a tight Belt tension.
- If motor struggles during spool up, the belt tension may be too tight. Recheck tension and loosen slightly as needed.
- Check the Belt tension again after the first 2 flights.
- With a new Tail Belt, when the head is rotated slowly, it is normal to hear a tooth sound as the belt engages with the Main Pulley. This sound is normal and will disappear after a few flights and the necessary "break-in".

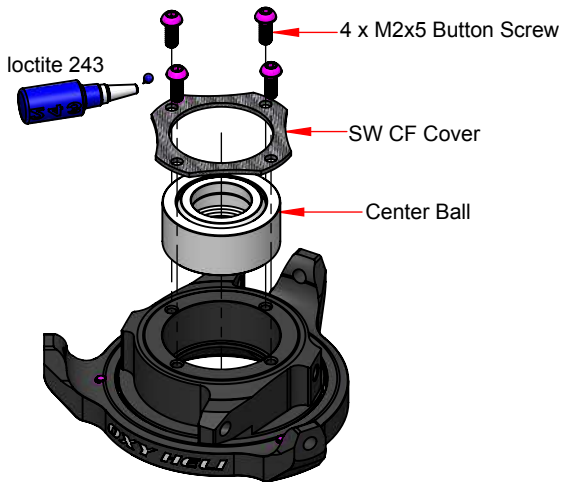
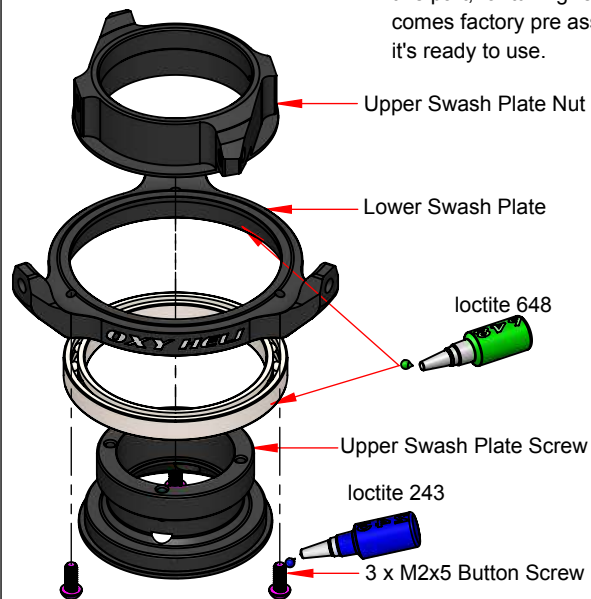
# Head Set Assembly



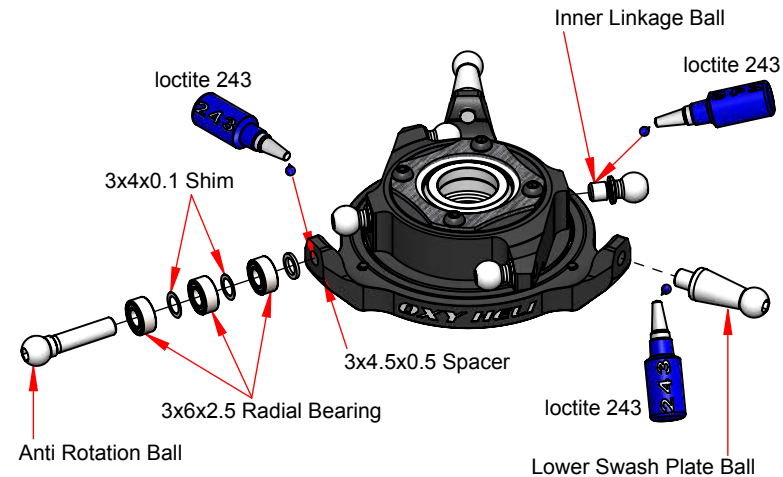


Swash Plate Assembly  
( Box3/bag 24 )

**⚠ Important Note:**  
this part, for tuning reasons,  
comes factory pre assembled,  
it's ready to use.

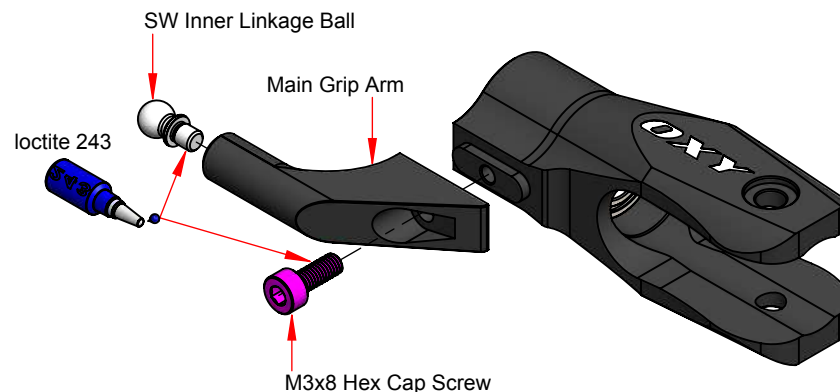
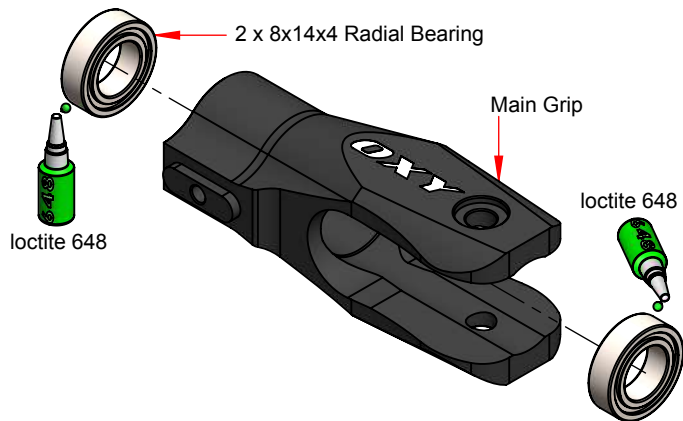


**⚠ Important Note:**  
this part, for tuning reasons,  
comes factory pre assembled,  
it's ready to use.



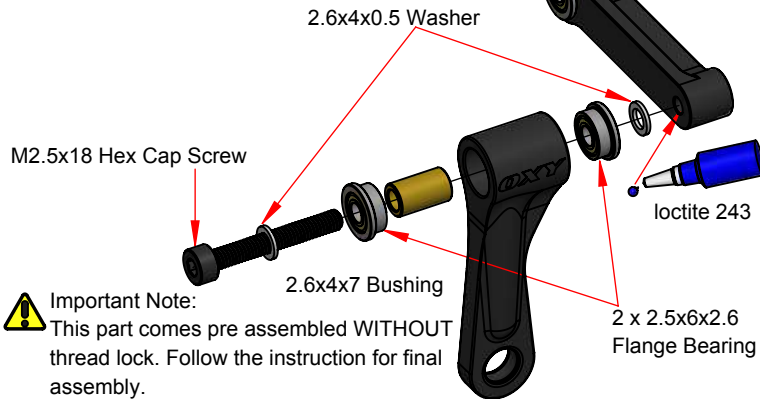
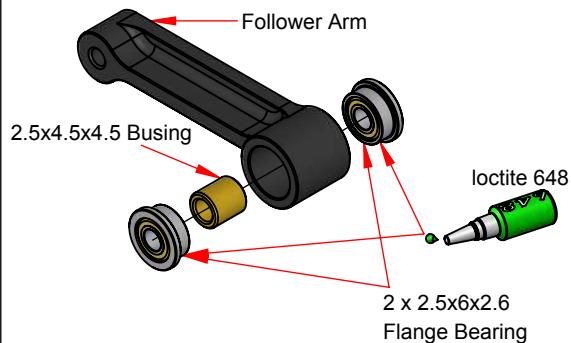
Main Rotor Assembly  
( Box3/bag 25 )

**⚠ Important Note:**  
this part, for tuning reasons,  
comes factory pre assembled,  
it's ready to use.

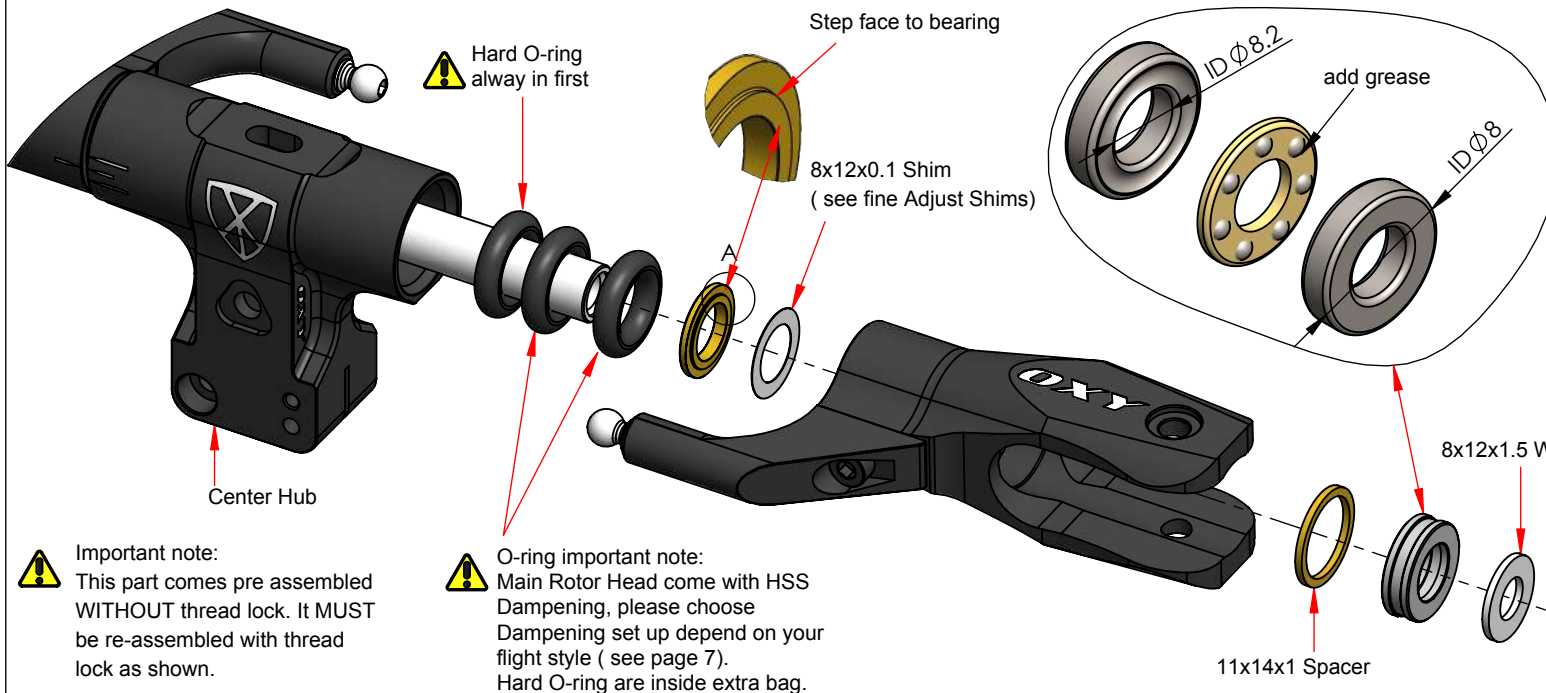
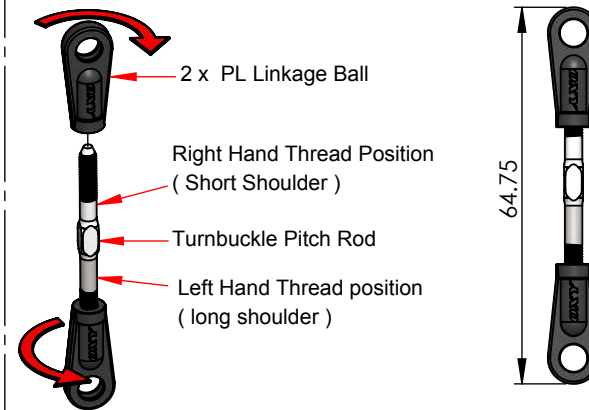


**Anti Rotation Arm Assembly**  
( Box3/bag 25 )

**Important Note:**  
this part, for tuning reasons,  
comes factory pre assembled,  
it's ready to use.



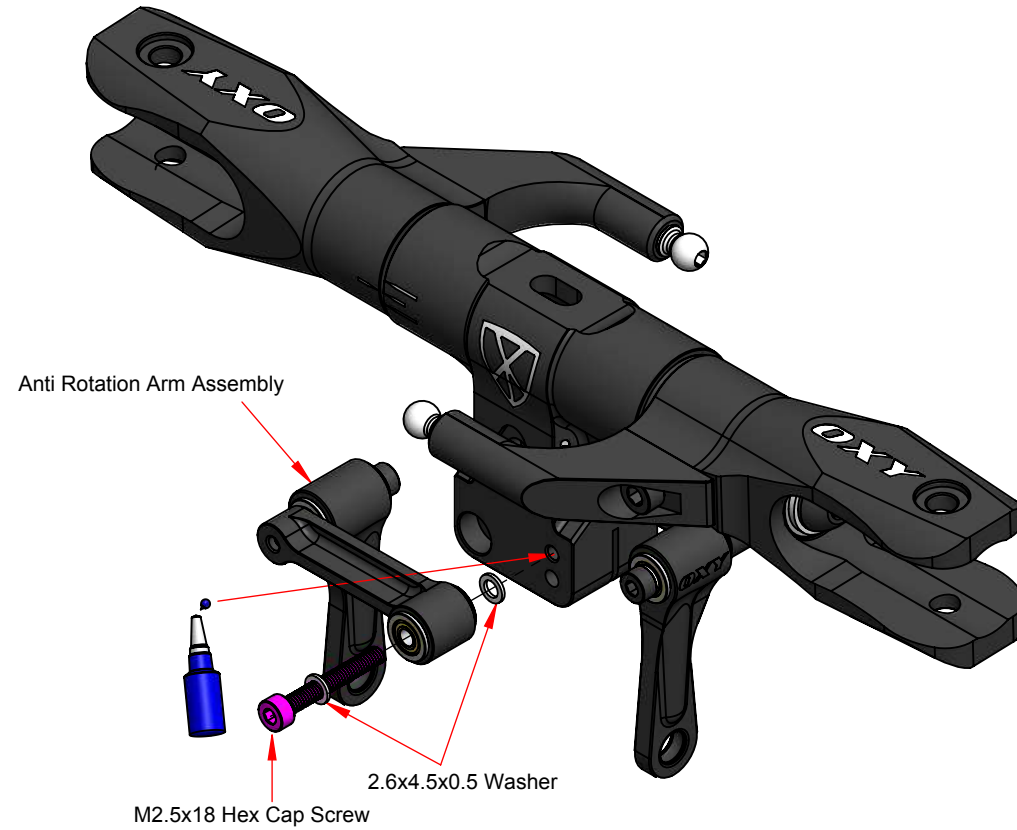
**Important Note:**  
This part comes pre assembled WITHOUT  
thread lock. Follow the instruction for final  
assembly.



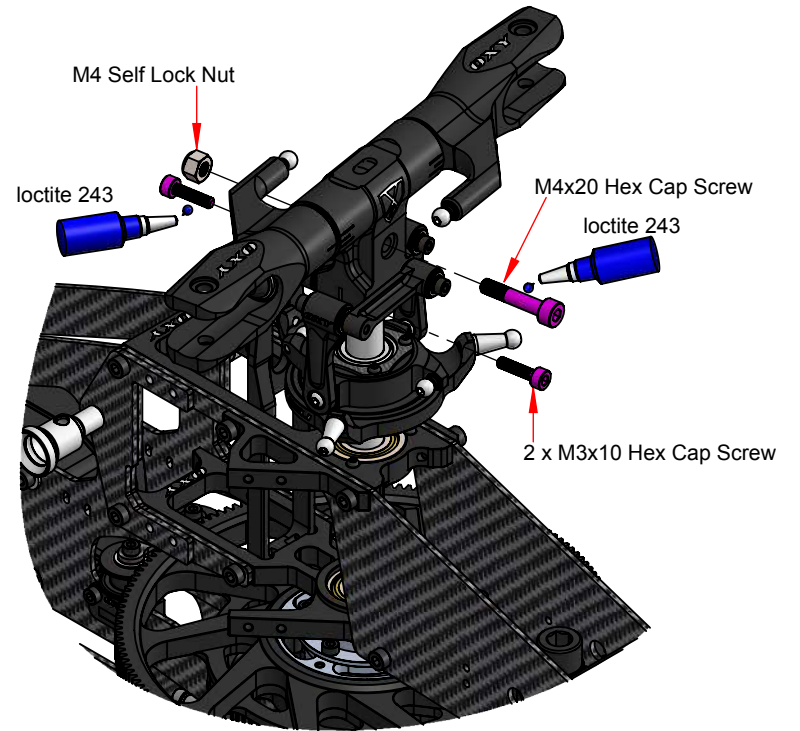
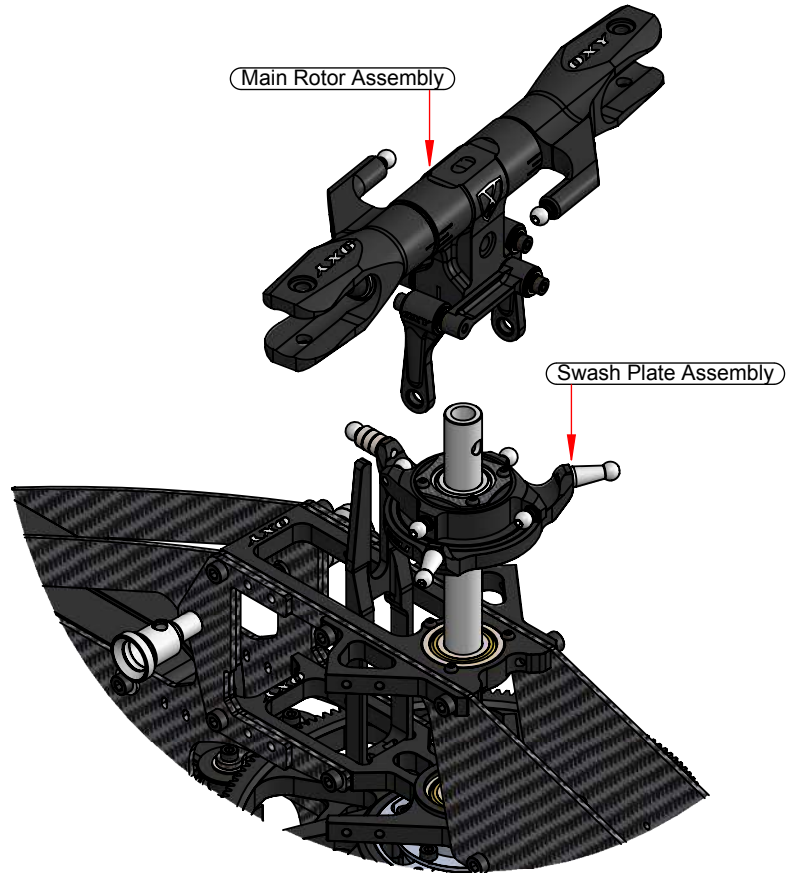
**Fine Adjust Shims:**  
In order to give fine adjustment options,  
the extra Hardware Bag contains extra  
Shims 8x12x0.1. Start assembly  
with one (each side) pre installed shim.  
If the Main Grips have  
sideway play, add shims as required.  
Each Grips must have the same number  
of shims. If you add one shim on the left  
side, you need to also add one shim on  
the right side

**Important note:**  
This part comes pre assembled  
WITHOUT thread lock. It MUST  
be re-assembled with thread  
lock as shown.

**O-ring important note:**  
Main Rotor Head come with HSS  
Dampening, please choose  
Dampening set up depend on your  
flight style ( see page 7 ).  
Hard O-ring are inside extra bag.





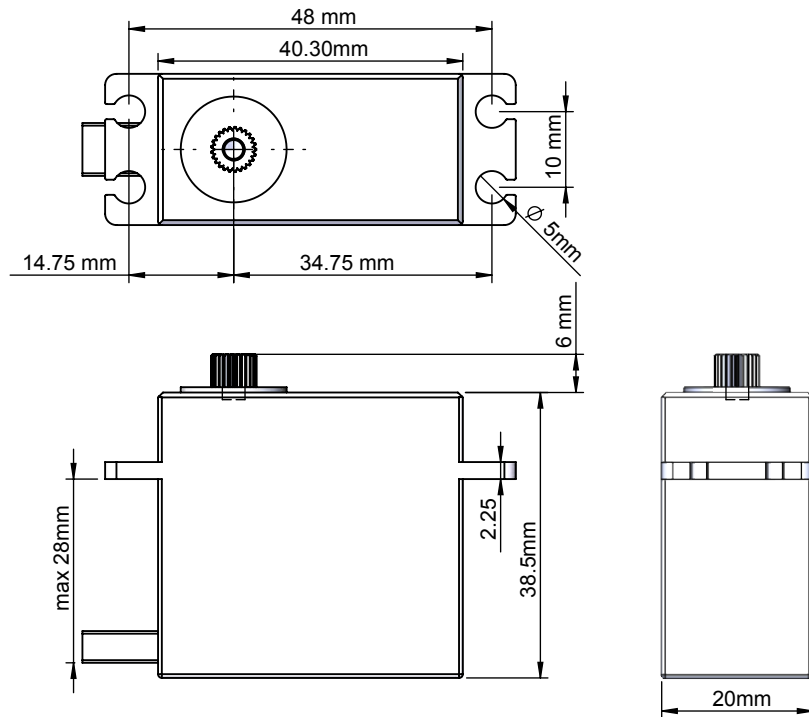
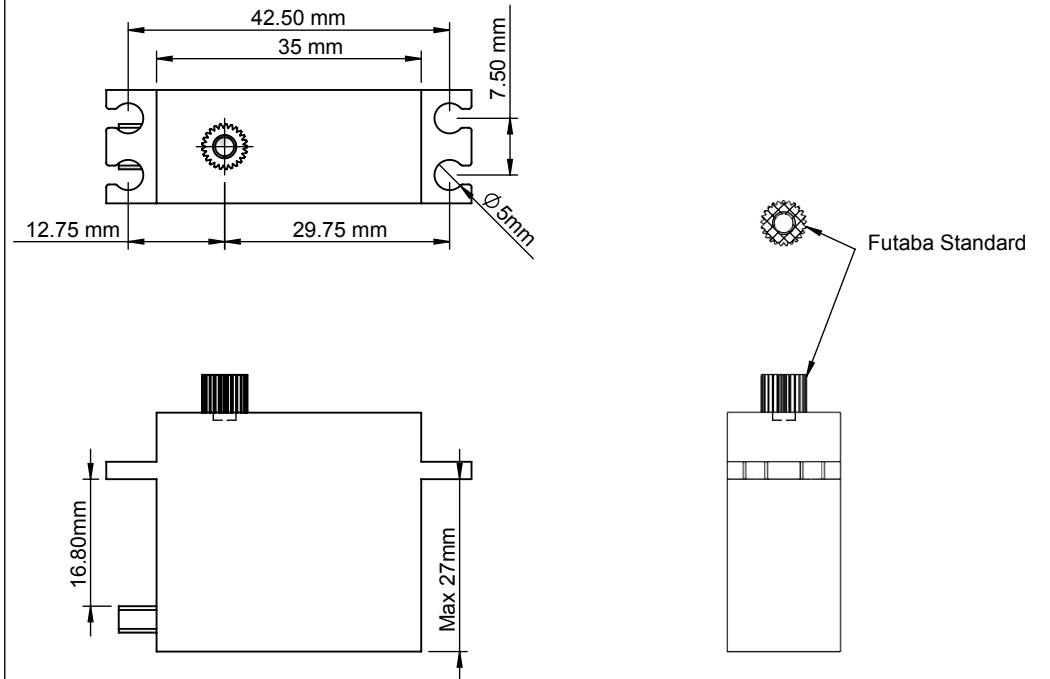



**SERVO SIZE IMPORTANT NOTE:**

OXY 5 from box come with Standard Size Cyclic

Servo Support and on Tail can accept Standard or Mini Size Servos.

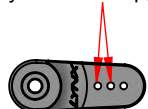
Optional Mini Size Cyclic Servo Support is available with p/n: OSP-1347

**Standard Servo**

**Mini Servo**


- You should now do some initial setup of your FBL unit and servos.
- We recommend you select a new model in your transmitter, and reset your FBL unit and start with a clean setup in it as well.
- After binding your transmitter to the receiver system used with the FBL unit, work your way through the FBL setup instructions to the point you plug in your servos.
- Now set your collective stick in the middle position, and position the servo arms as close to the correct positions you can on each servo see the following pages for arm orientations on the various servos.
- Next confirm the servos work in the correct direction, then return the collective stick to the center position.
- Now use your FBL unit to trim the servos so the arms are exactly horizontal (see pictures below).
- This procedure varies between units. Carefully label the position of the servos, then proceed with the installation of the servos as shown.

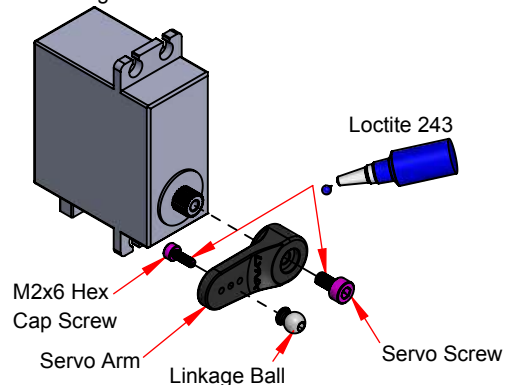
Linkage Ball Position

depend on your Flybarless setup, please see note

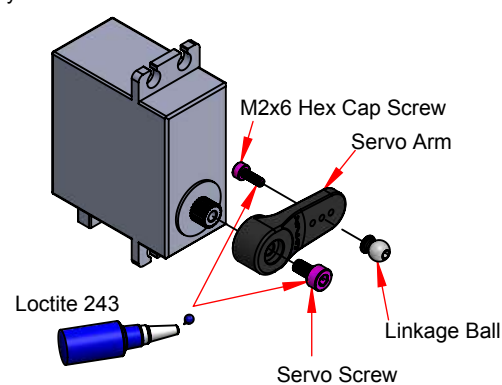


**⚠ Note:**  
In our testing 17.5mm default servo ball mount works best for most FBL and servo combinations. However depending on your servo resolution and FBL for example NEO you may yield better results with 14.5mm position.  
**⚠ OXY5 Servo Arm** come with Futaba Knurel

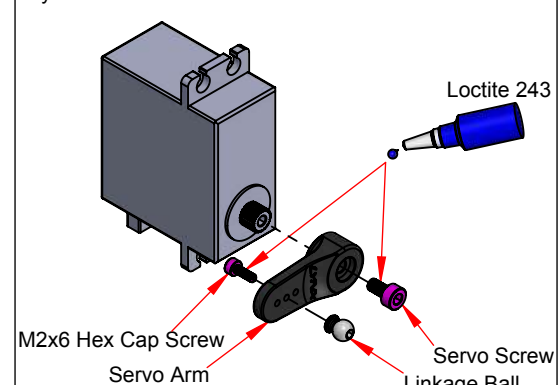
Cyclic Front Right Servo



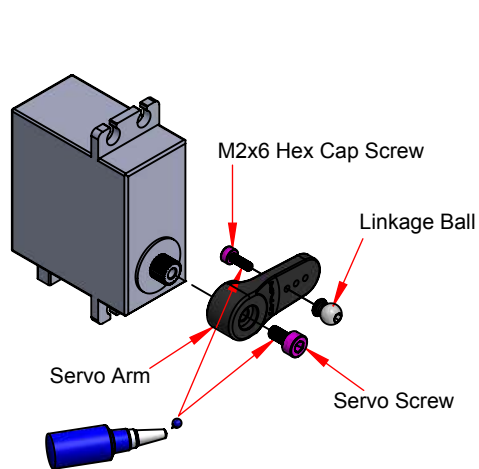
Cyclic Front Left Servo



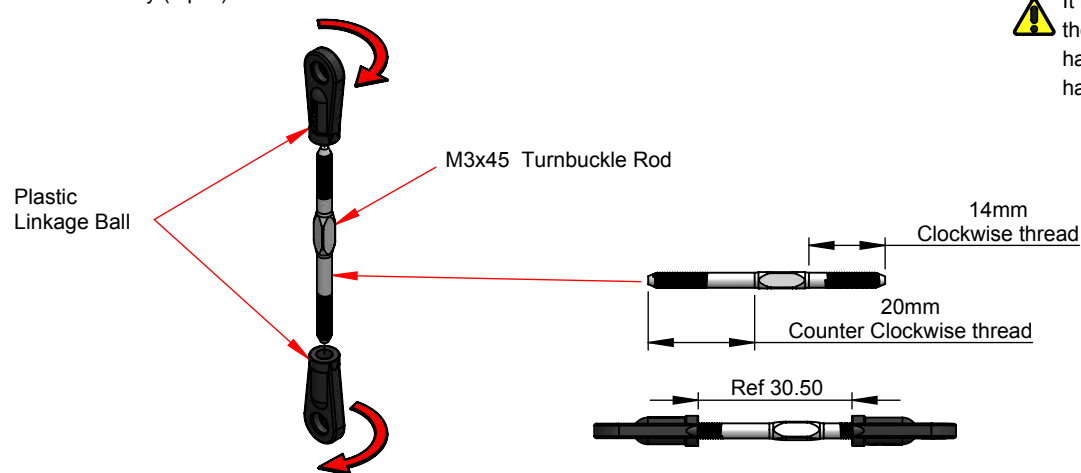
Cyclic Rear Servo



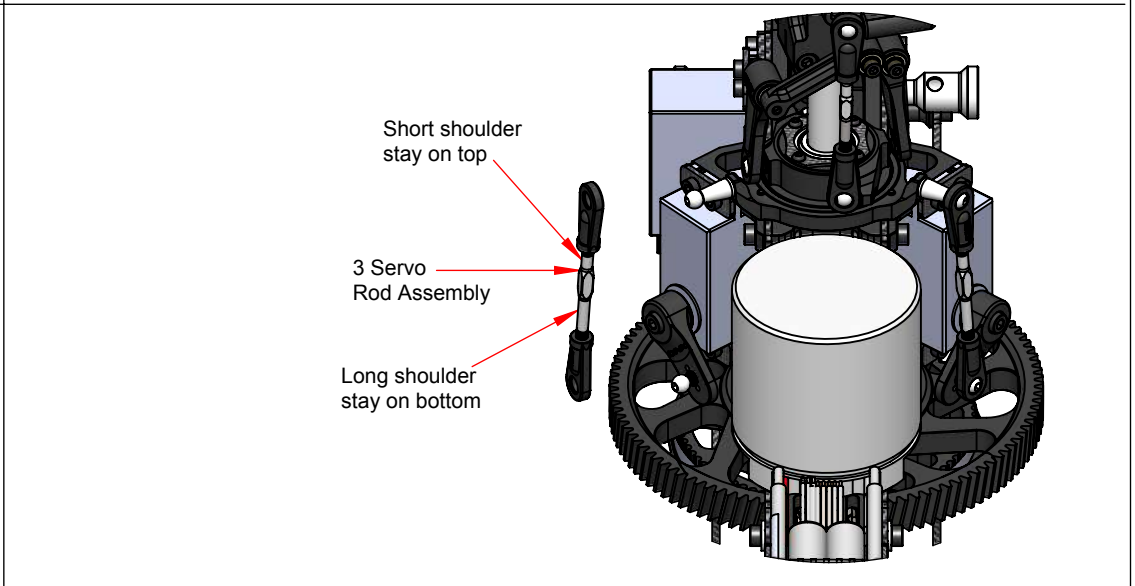
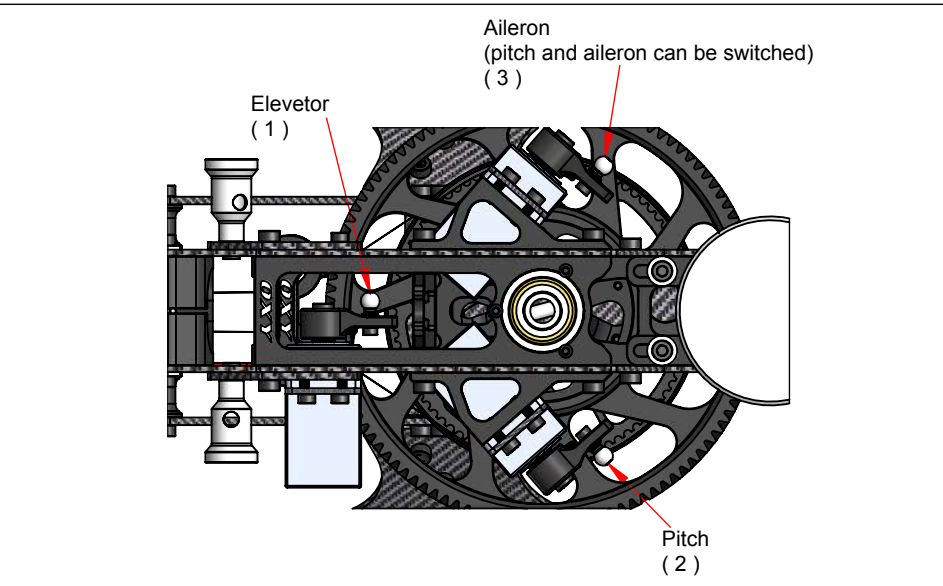
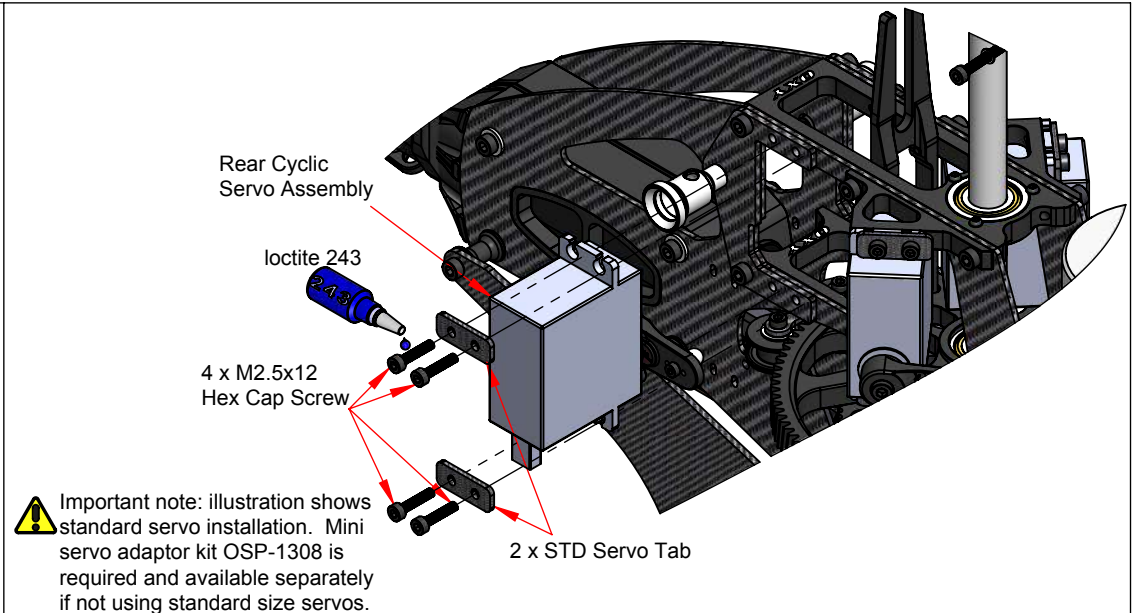
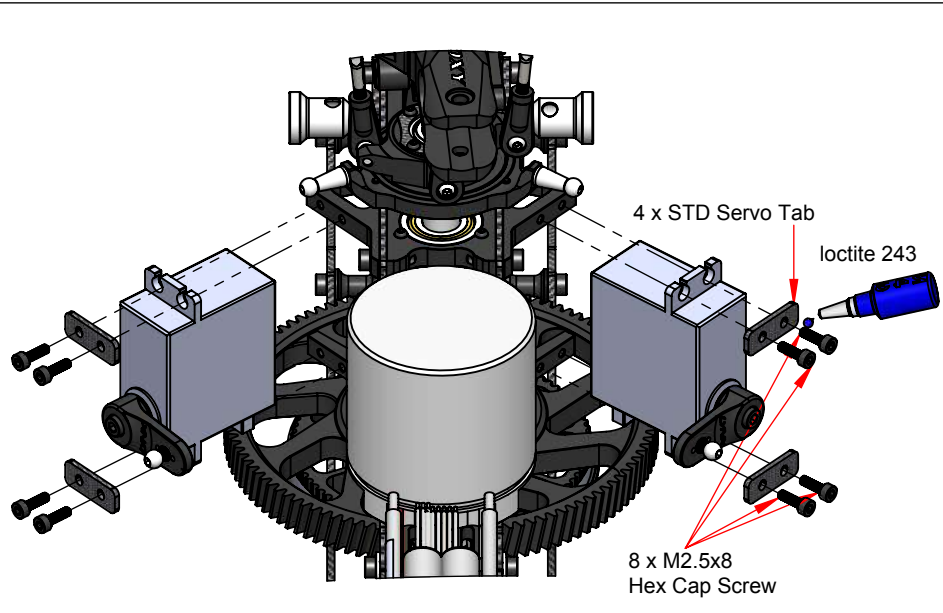
Tail Servo

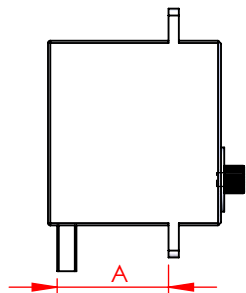


Servo Rod Assembly ( 3pcs)

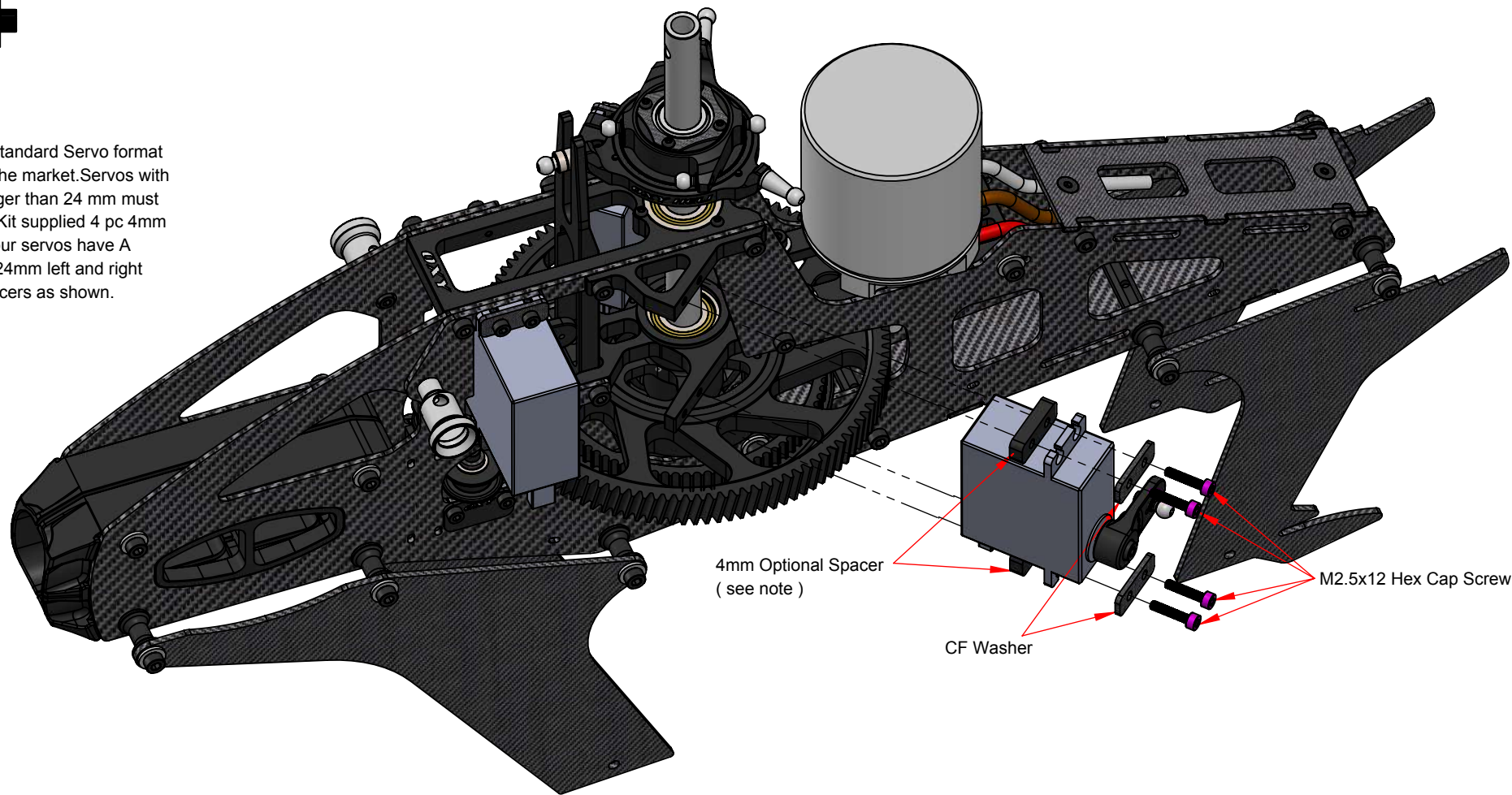


**⚠** It is really important the servo rods screw onto the linkages the same amount. The Metal Rod have one side clockwise thread and one side have counter clockwise thread





 Note: Different Standard Servo format are available in the market. Servos with dimension A longer than 24 mm must assembled with Kit supplied 4 pc 4mm pacers. Only if your servos have A dimension over 24mm left and right servos need spacers as shown.

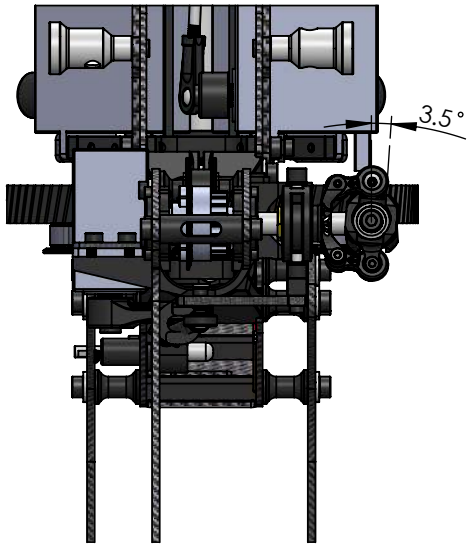
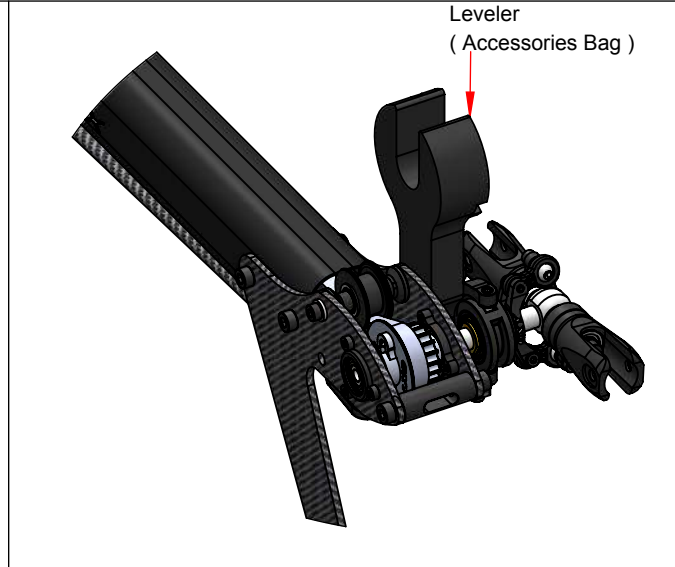
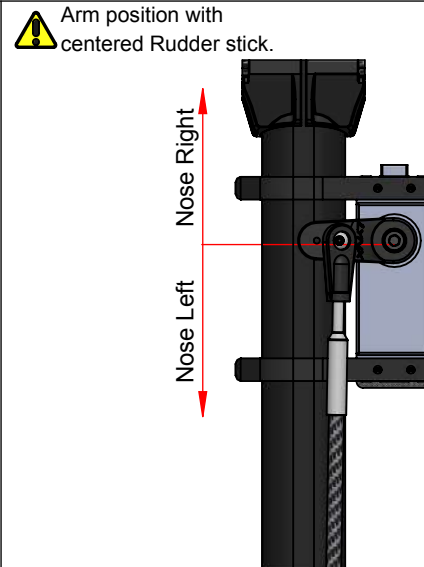
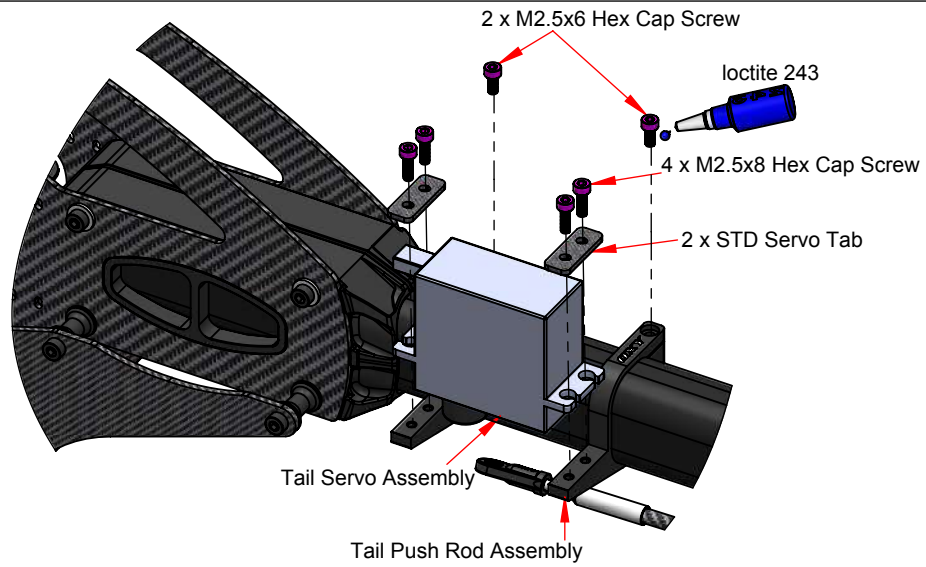


4mm Optional Spacer  
( see note )

CF Washer

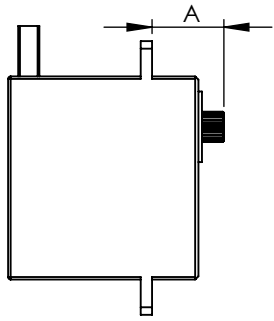
M2.5x12 Hex Cap Screw




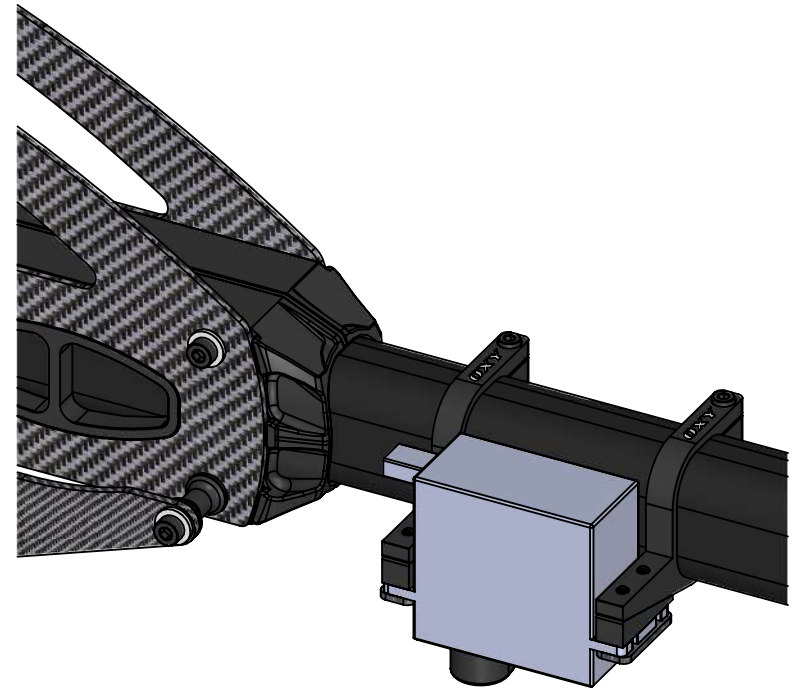
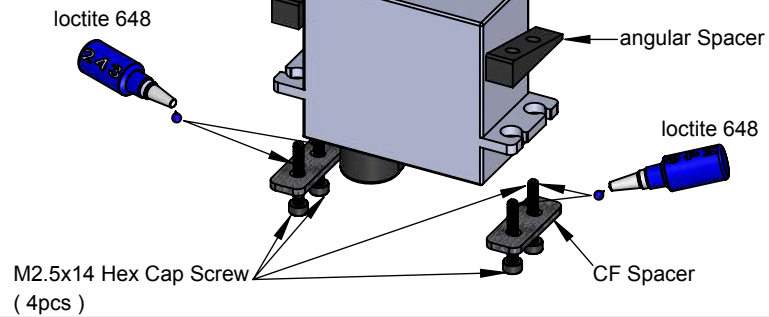
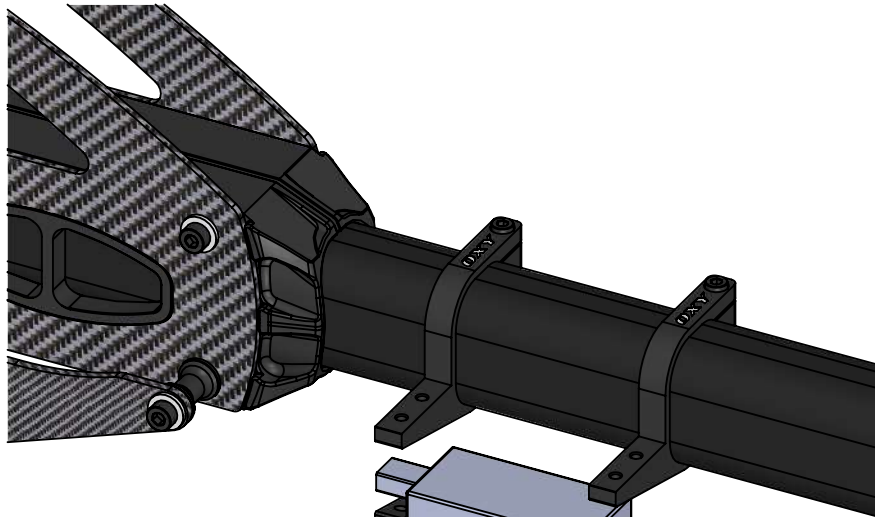


⚠ With Rudder Stick centered and the Tail Servo Arm in the center position, adjust the Tail Push Rod length until the Tail Bell Crank and Tail Case Plate are parallel as shown.

⚠ The Oxy 5 Tail System has approximately 3.5 of counter torque with the Tail Bell Crank set per instructions.

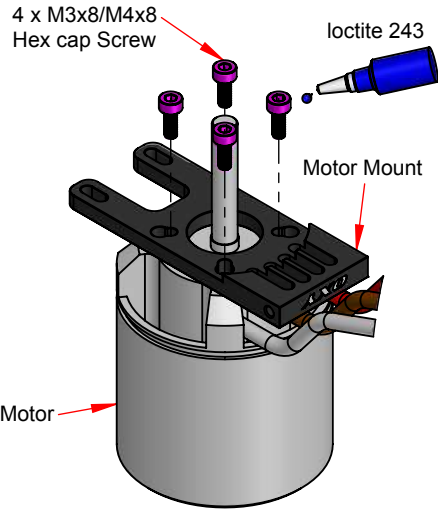
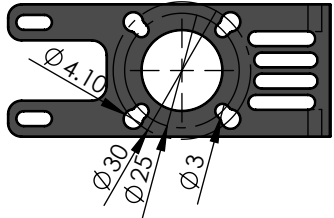


 Note: if your tail Servo have Dimension  $A < 11.5$ , please install Tail Servo as image below

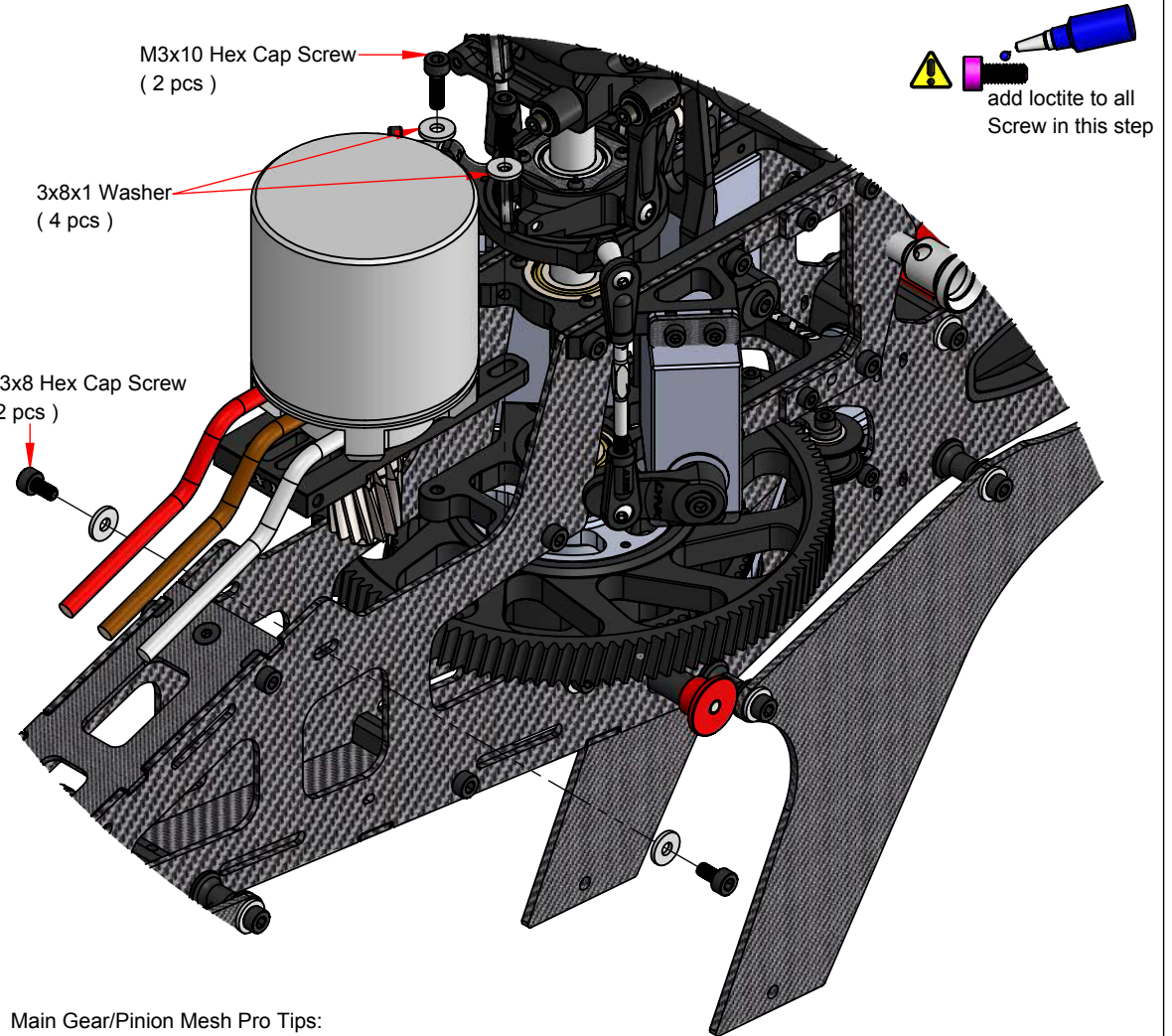
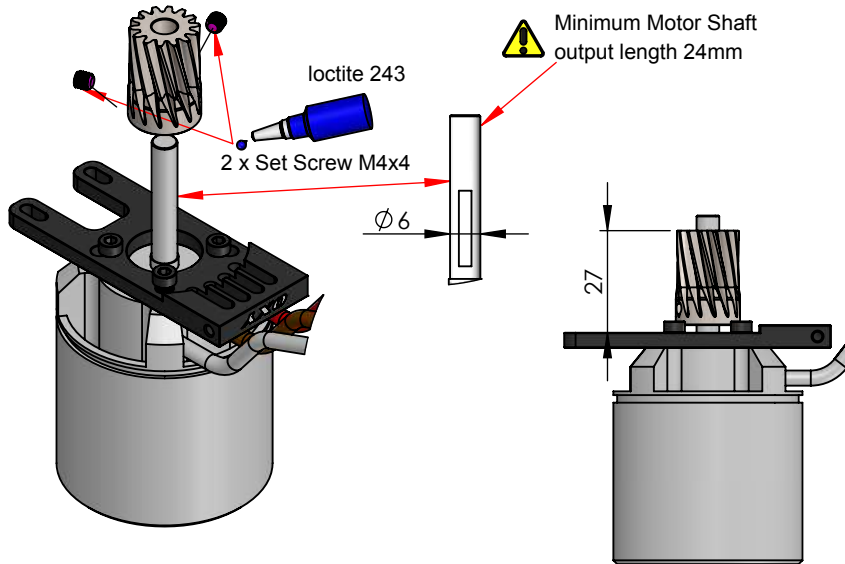


Motor Assembly  
( Box3/bag 14 )

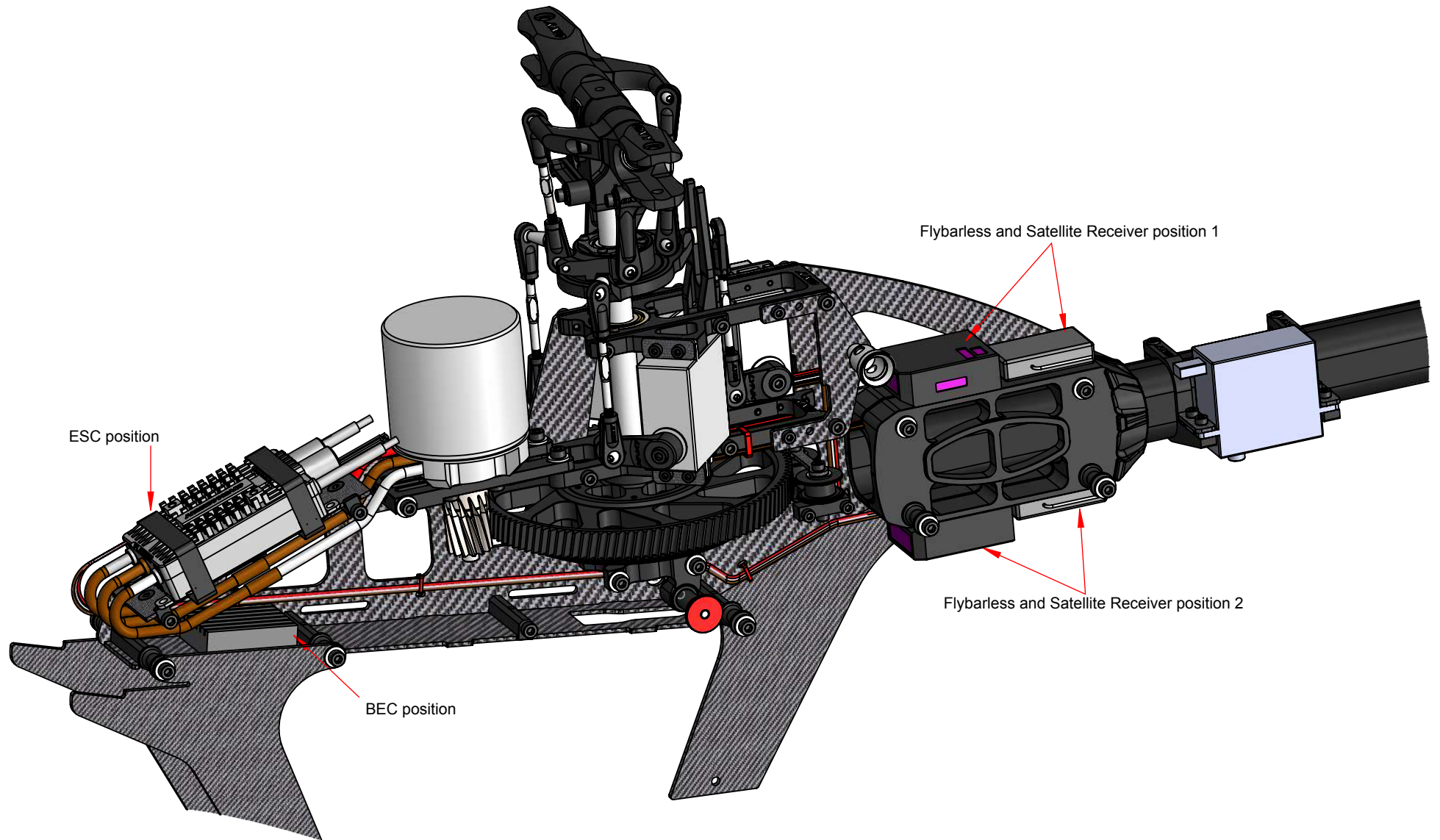
Motor Mount holes support



Pinion  
( 12T - 6mm Shaft Included )

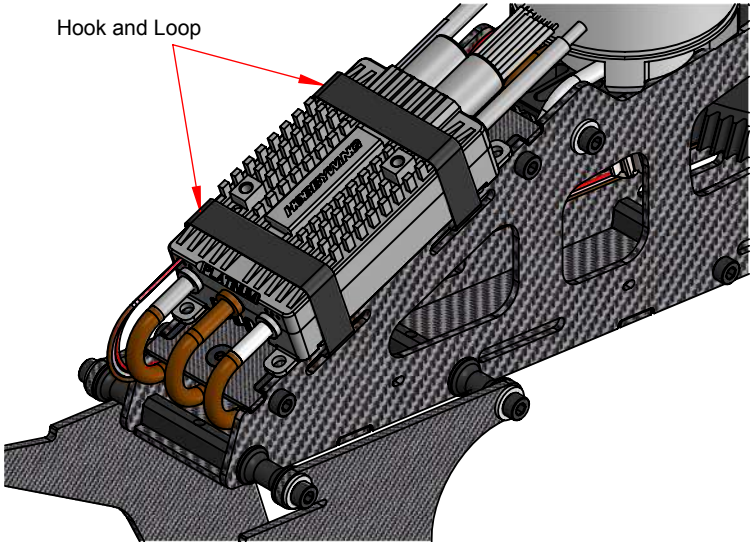
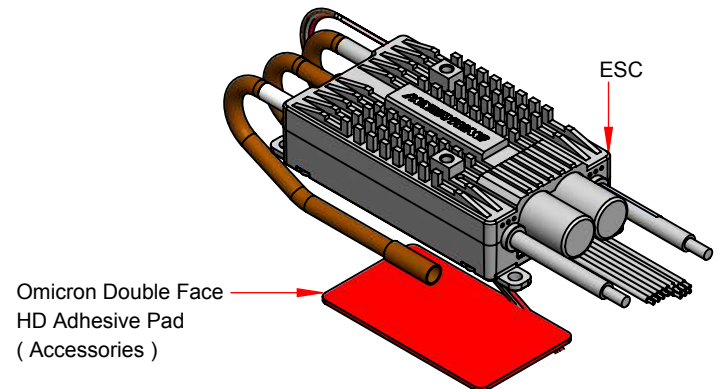


**⚠ Main Gear/Pinion Mesh Pro Tips:**  
 push motor / pinion against main gear, then rotate main gear by hand, find if there is any high spot, if there is, then set your gear mesh tight there. By tight, push lightly by hand. Then rotate gear, slightly by hand. Then lock down the motor position. Then check by hand, high spot should just contact, rest you should feel just a hair click of backlash.

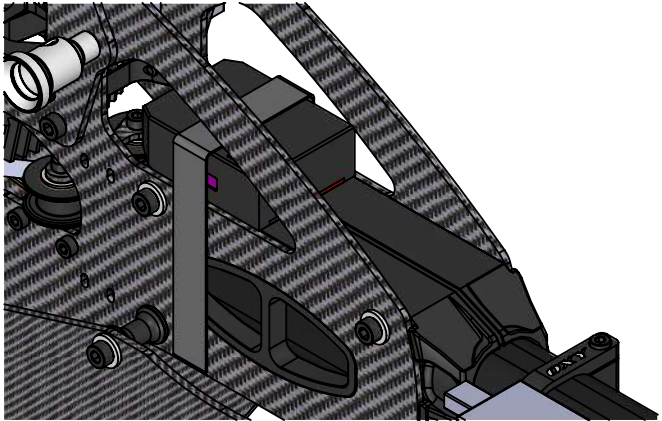
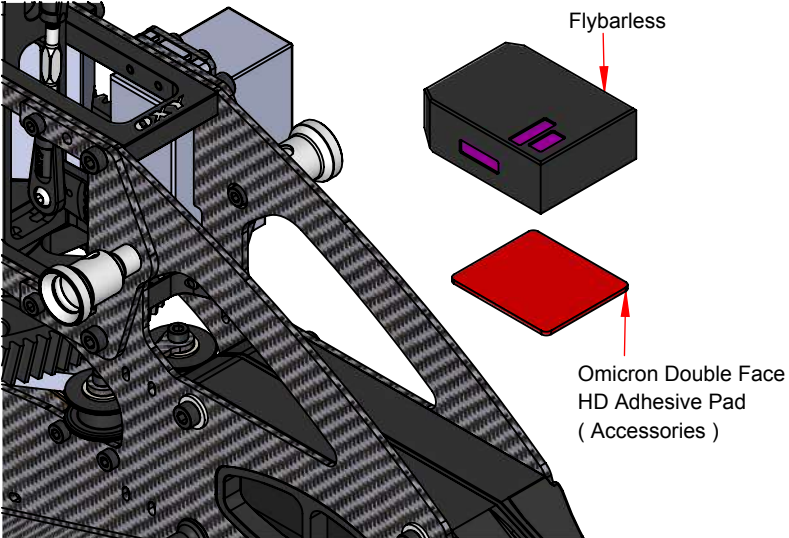




ESC Installation

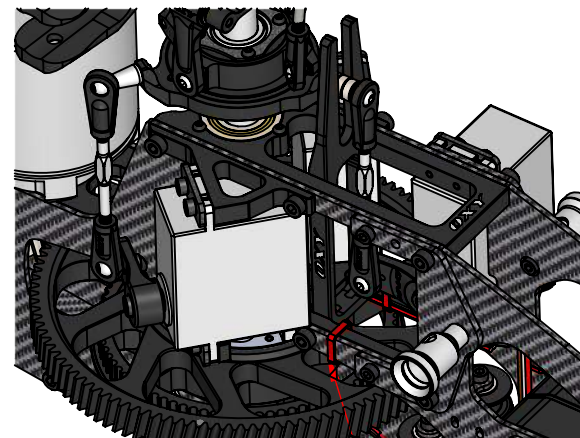
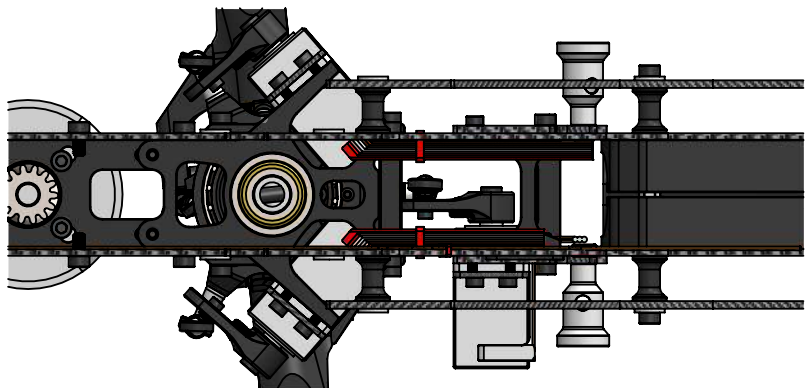


Flybarless Installation



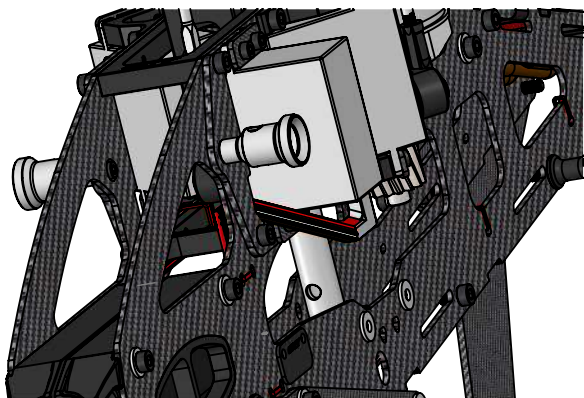


Front Cyclic Servo Wire Suggestion

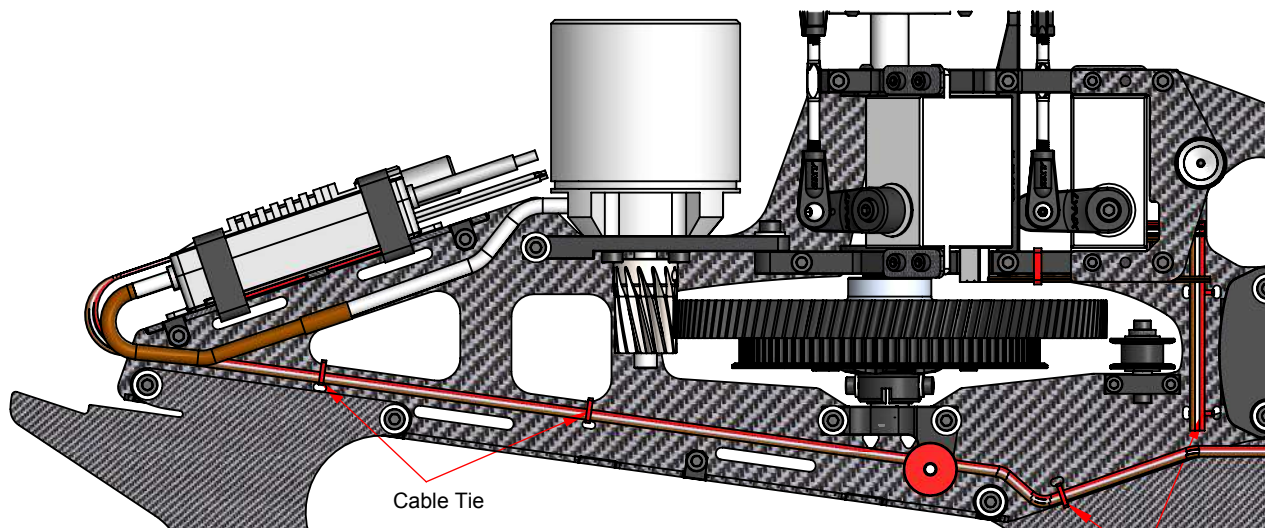


Cable Tie

Rear Cyclic Servo Wire Suggestion



ESC Wire Suggestion



Cable Tie

Cable Tie

**Before Flight:**

Now complete the setup of your FBL system. In the Accessories Bag you will find an Oxy 5 Swash Plate Leveler.

This Tool is designed to fit under the Swash Plate without disassembly any parts. This simple tool will both level the swash and give the Zero Pitch Position.

Starting gyro gain: The Oxy 5 was designed around famous FBL Systems (IKON / Brain / mini V-Bar), and we suggest you start with the following standard set up and adjust after test flying.

**Cyclic Set Up:**

Use suggested settings for 550 Helicopters and adjust after test flights.

See our table on page 7 for RPM and Pitch Settings. Cyclic Max pitch should be +/- 12 deg.

**Tail Set Up:**

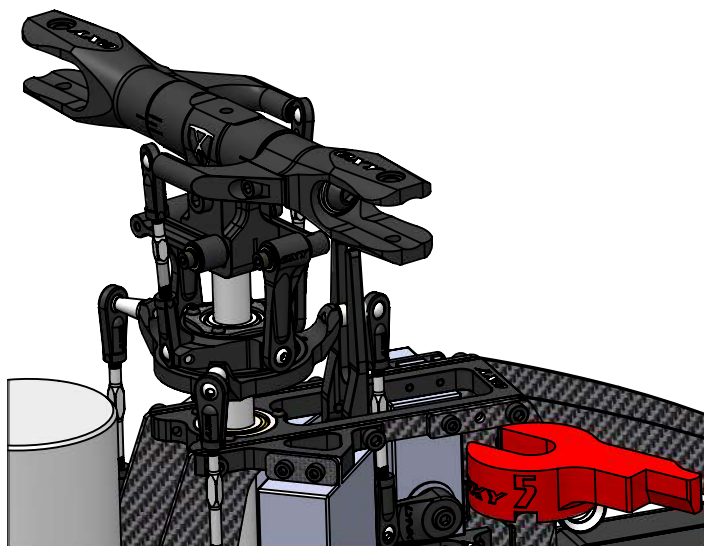
Use the suggested settings for 550 Helicopters BUT start with a LOWER Tail Gain ( Increase after test per need )

IKON / Brain = 20%

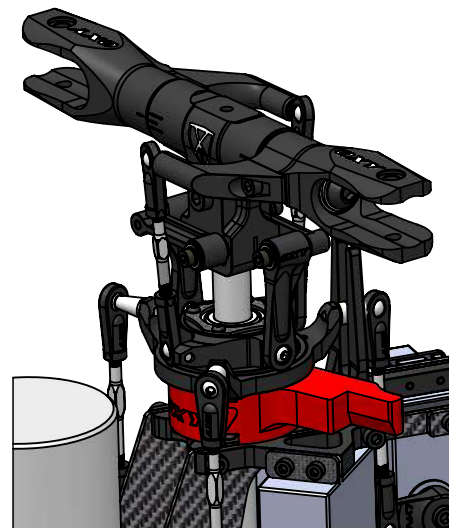
Mini V-Bar = 250 Heli suggested gain.



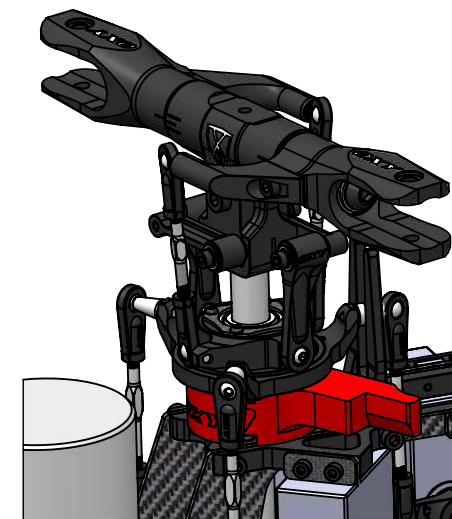
Lift up swash plate as shown to have space for inserting Leveler.



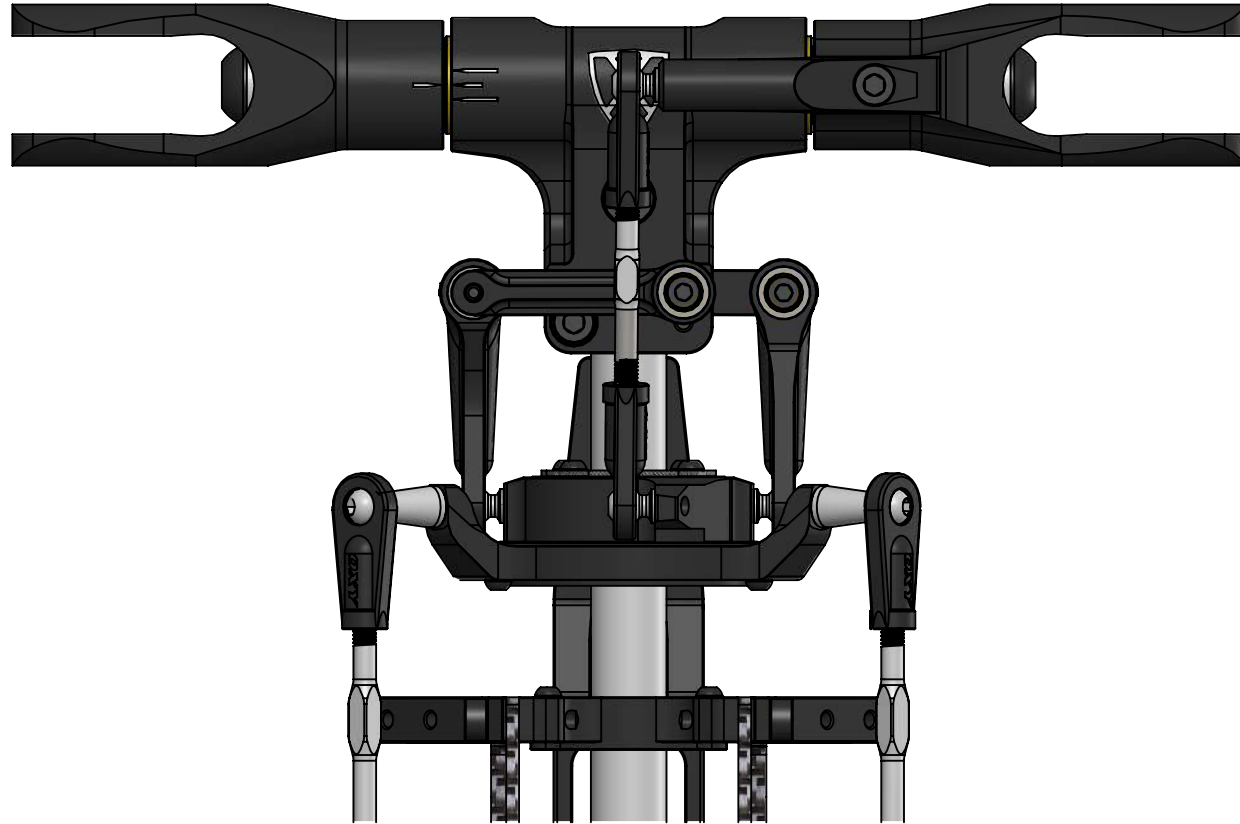
Rotate Leveler as shown

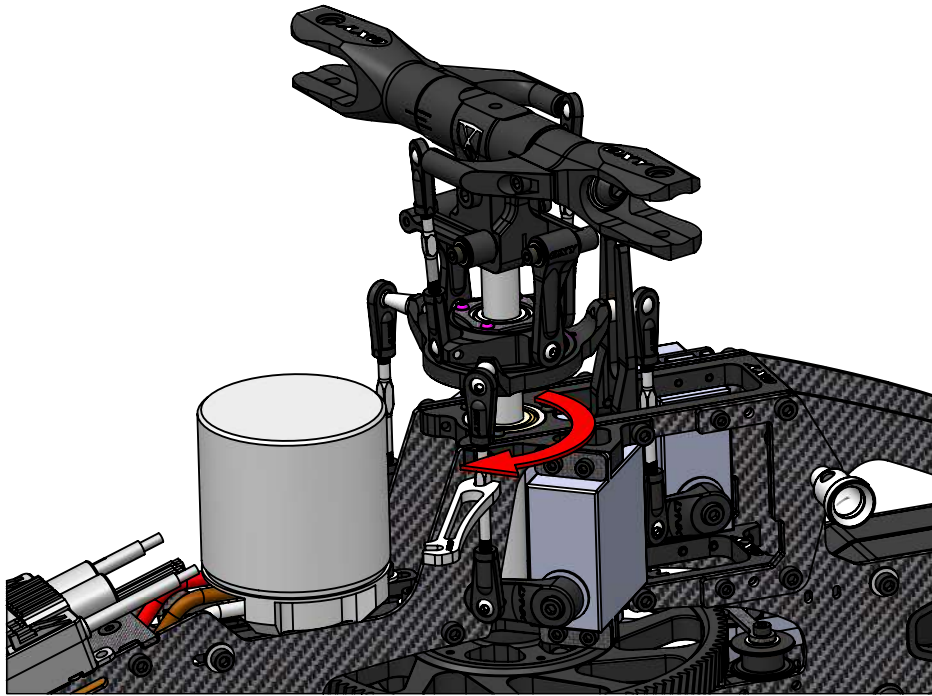


Lower Swash Plate down until Swash Plate touch Leveler as shown.

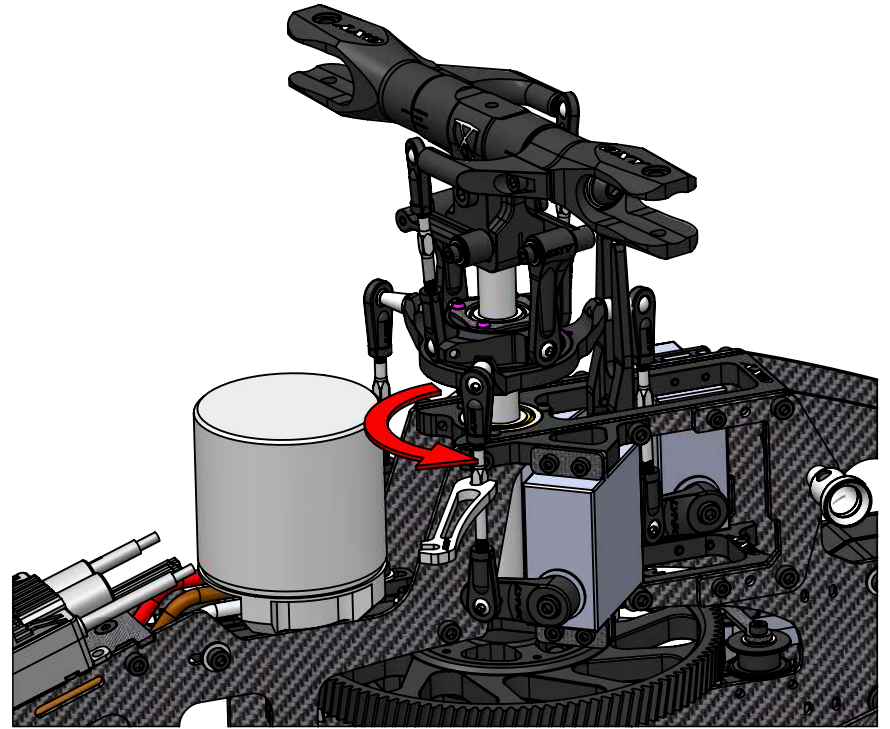


approximately angle +/- 12 degree







turn the key clockwise to adjust the Servo Rod and Pitch Rod longer

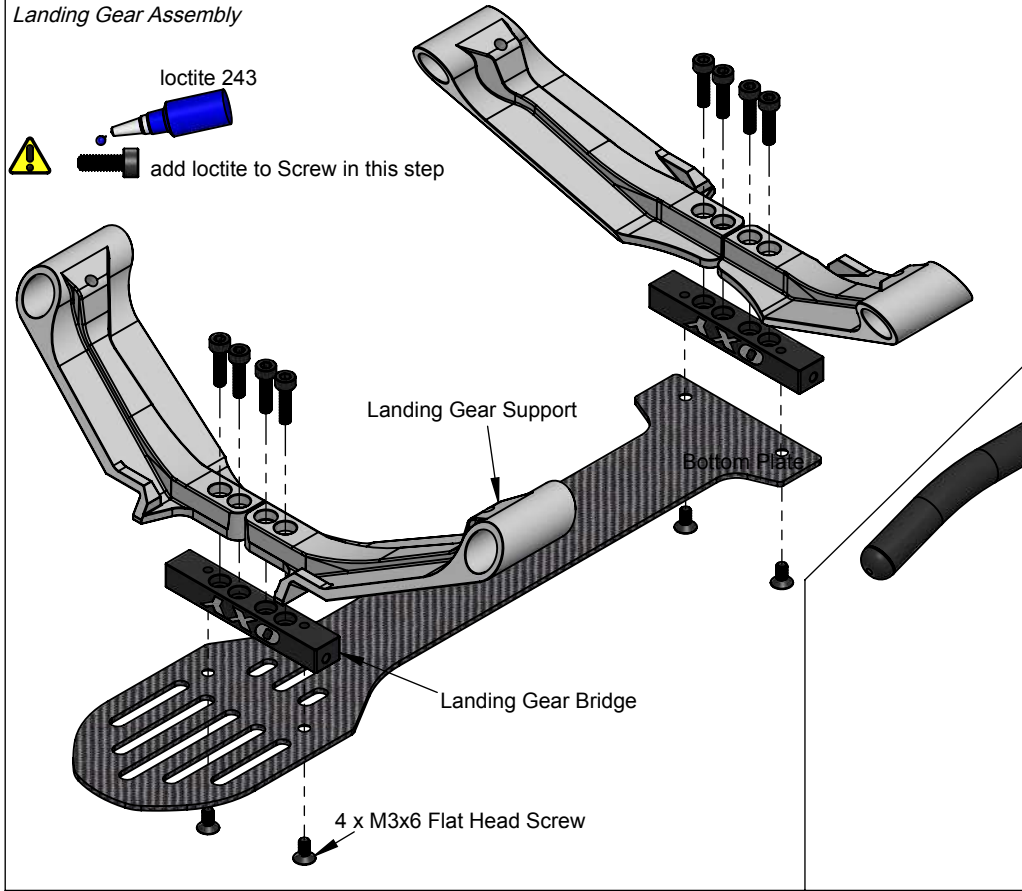


turn the key counter clockwise to adjust the Servo Rod and Pitch Rod Shorter



Landing Gear Assembly

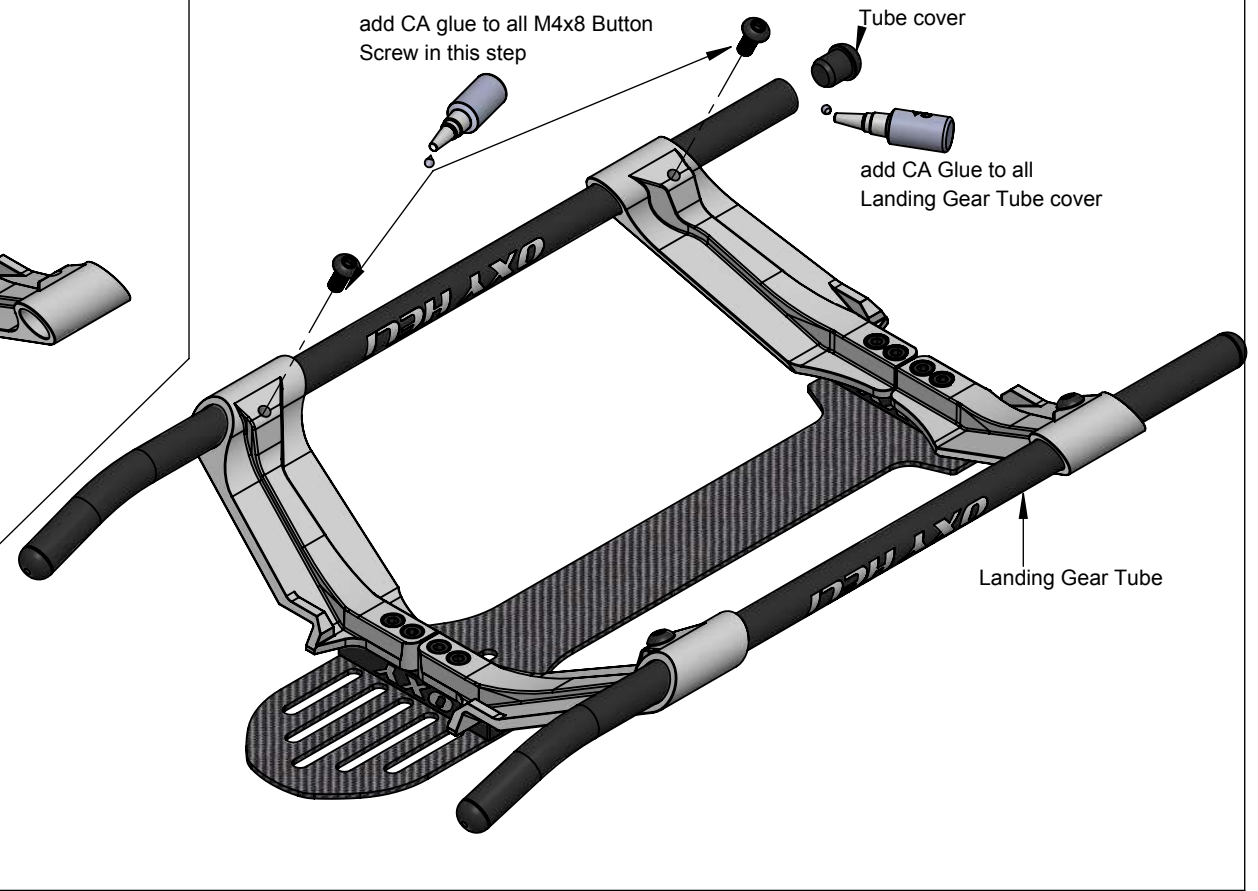
loctite 243  
  
 add loctite to Screw in this step




add CA glue to all M4x8 Button Screw in this step

Tube cover

add CA Glue to all Landing Gear Tube cover



 The Hole Position to lock into Main Frame after Assembly

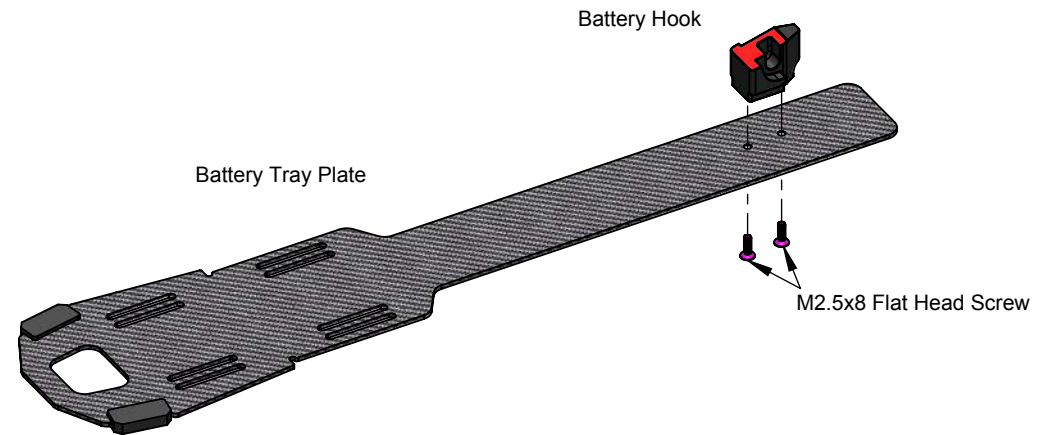




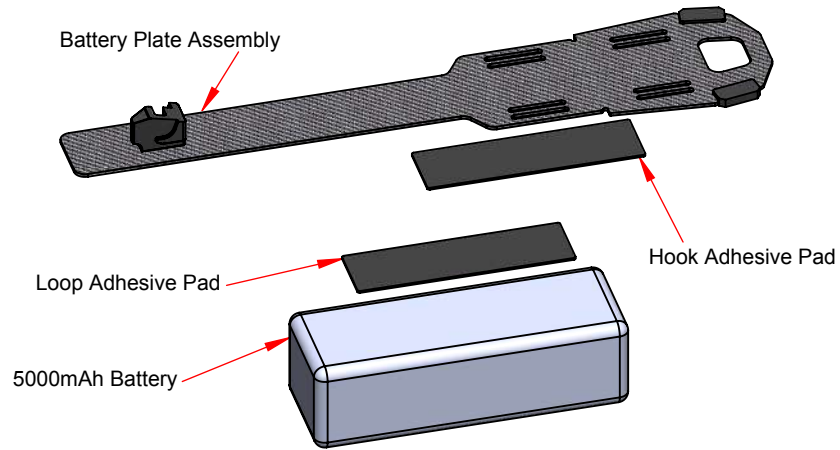
Landing Gear Installtion



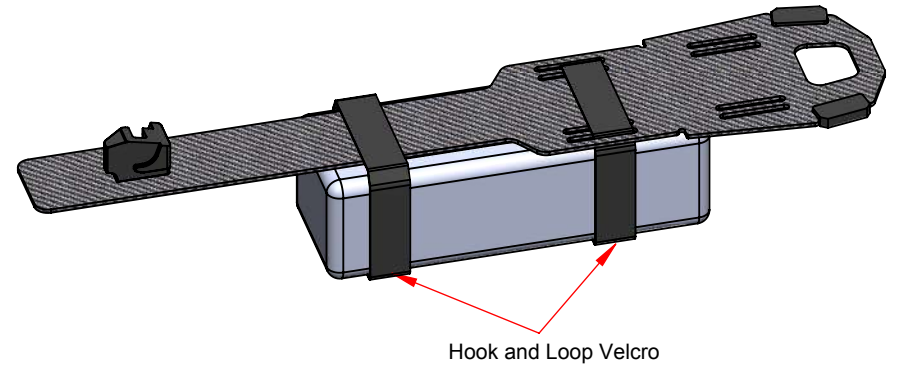
Battery Tray Plate Assembly



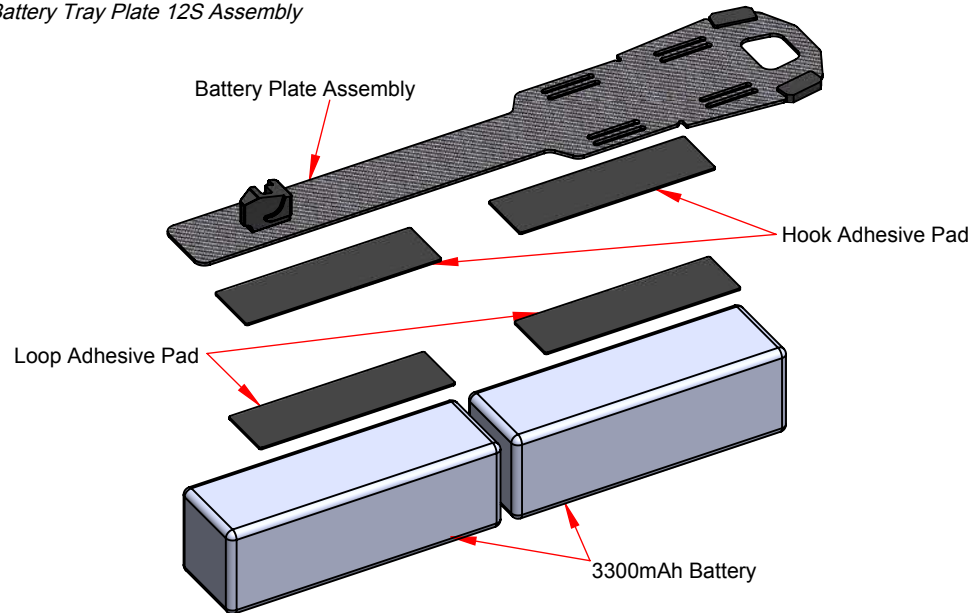
Battery Tray Plate 6S Assembly



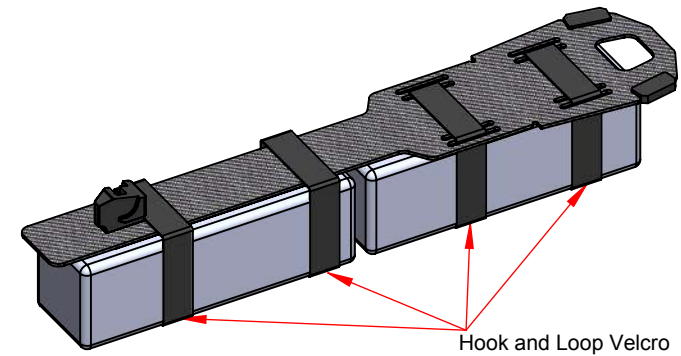
the Maximum Battery when use 6S is under dimension  
(length x width x height) : 145mmx50mmx56mm

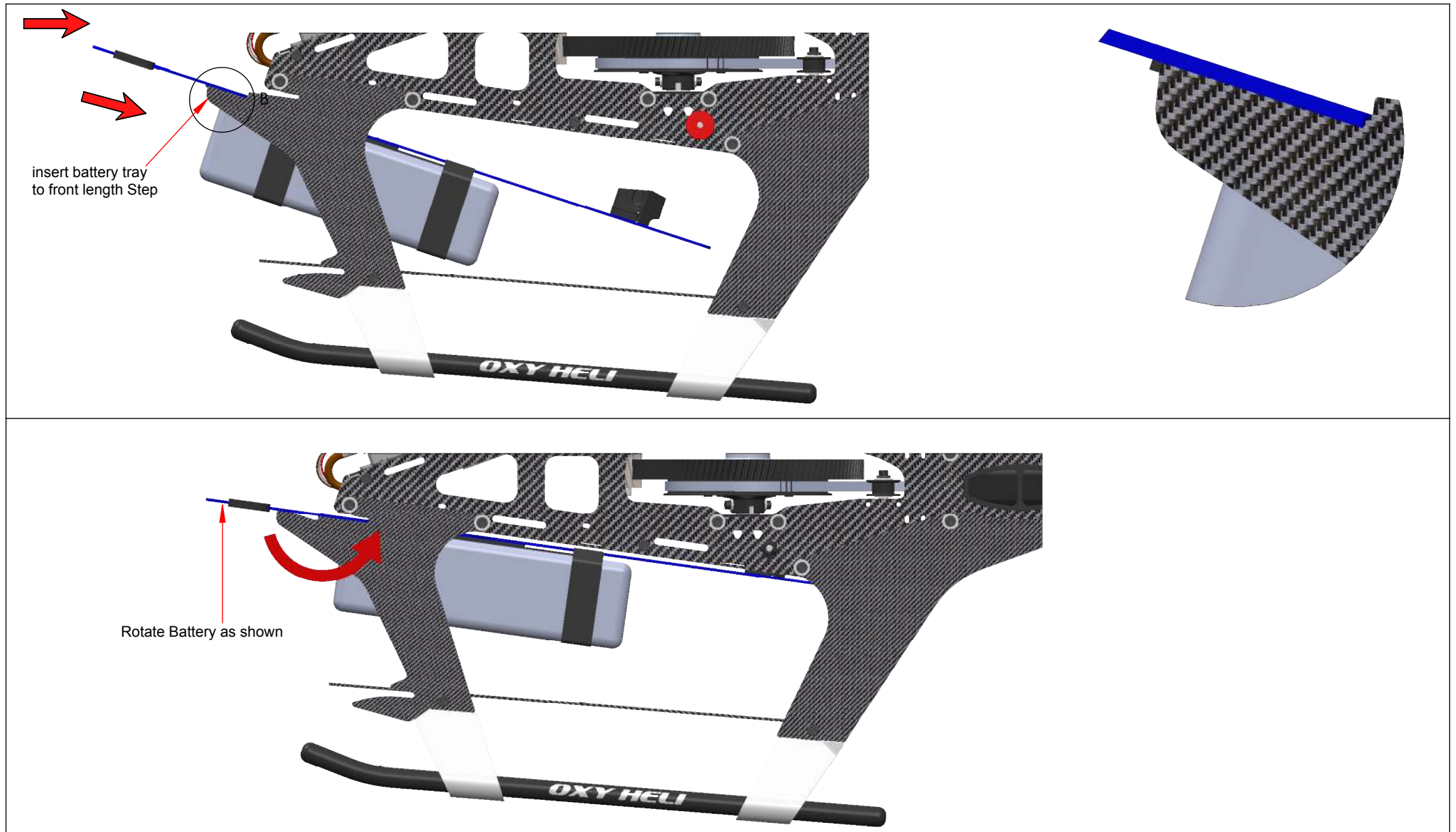


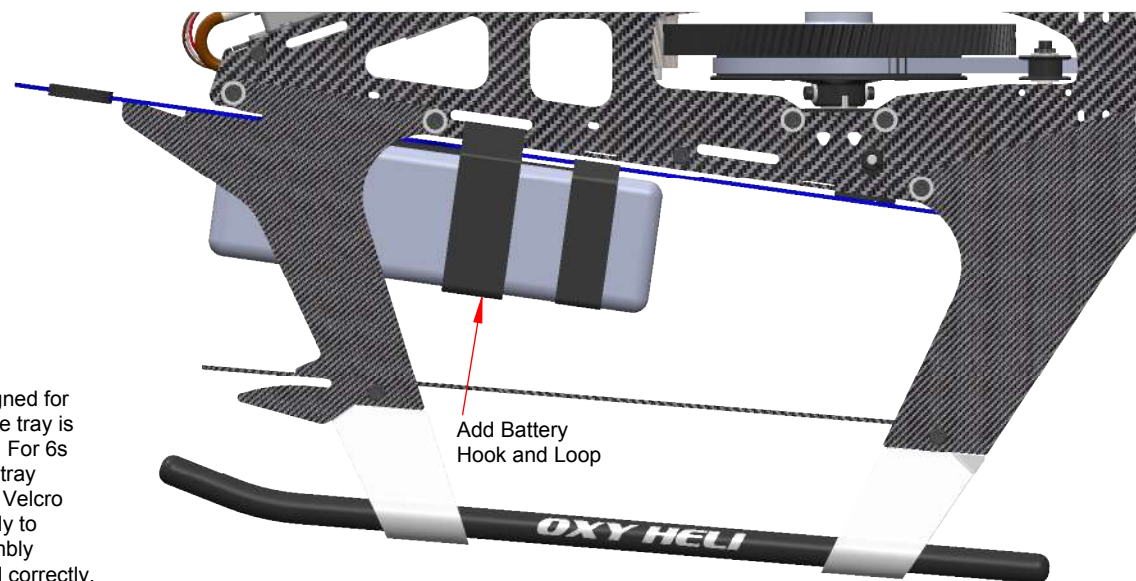
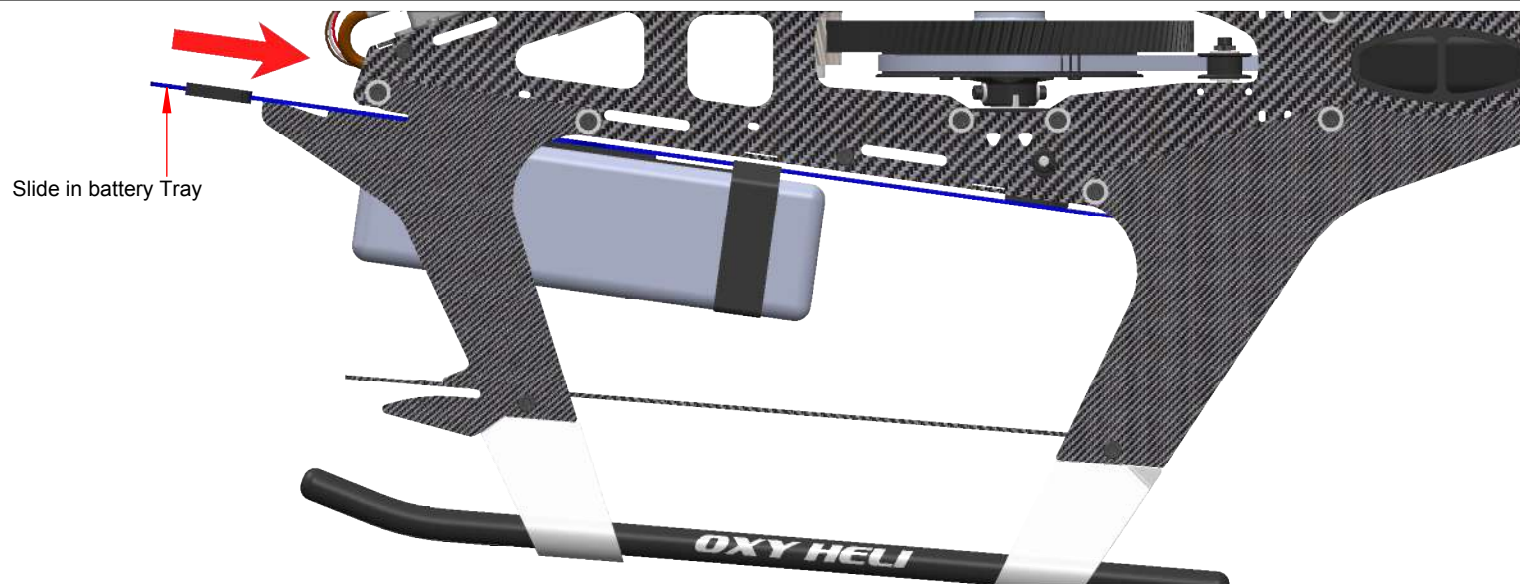
Battery Tray Plate 12S Assembly




the Maximum Battery when use 12S is under dimension  
(length x width x height) : 135mmx50mmx44mm

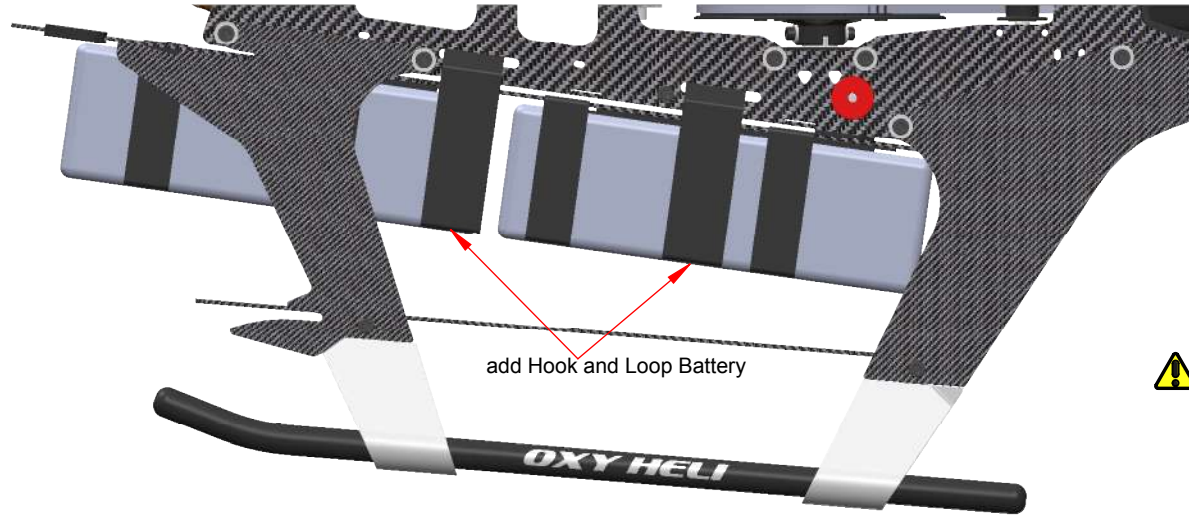






 Important note: Battery tray system is designed for easy installation and removal of battery. The tray is NOT designed to support the battery alone. For 6s use one Velcro strap to secure battery and tray assembly to the main frame. For 12s use 2 Velcro straps to secure battery(s) and tray assembly to the main frame. The battery and tray assembly should have no movement when assembled correctly.

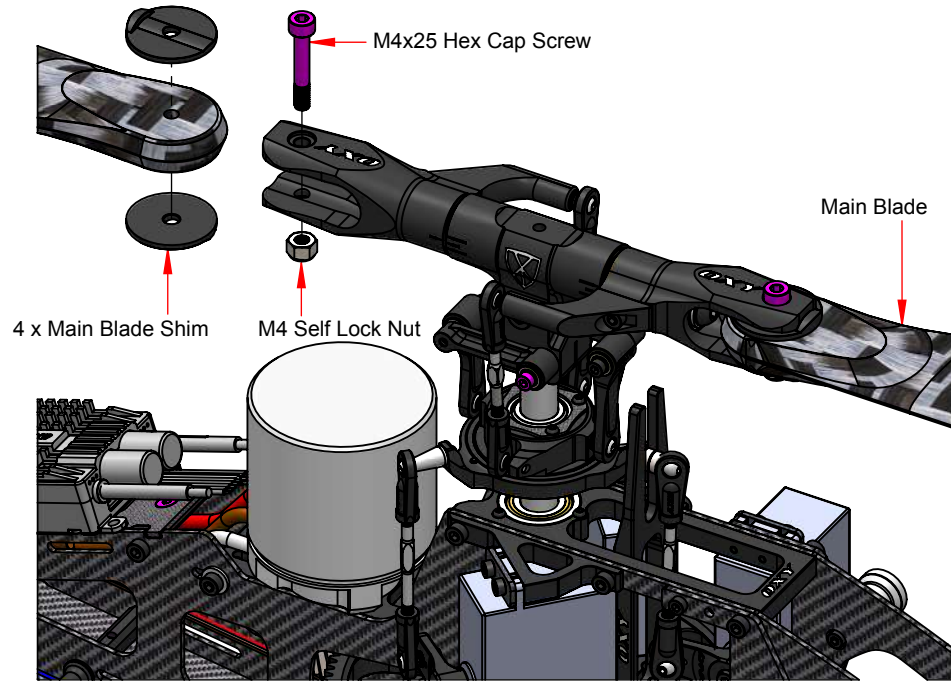




**⚠ Important note:** Battery tray system is designed for easy installation and removal of battery. The tray is NOT designed to support the battery alone. For 6s use one Velcro strap to secure battery and tray assembly to the main frame. For 12s use 2 Velcro straps to secure battery(s) and tray assembly to the main frame. The battery and tray assembly should have no movement when assembled correctly.





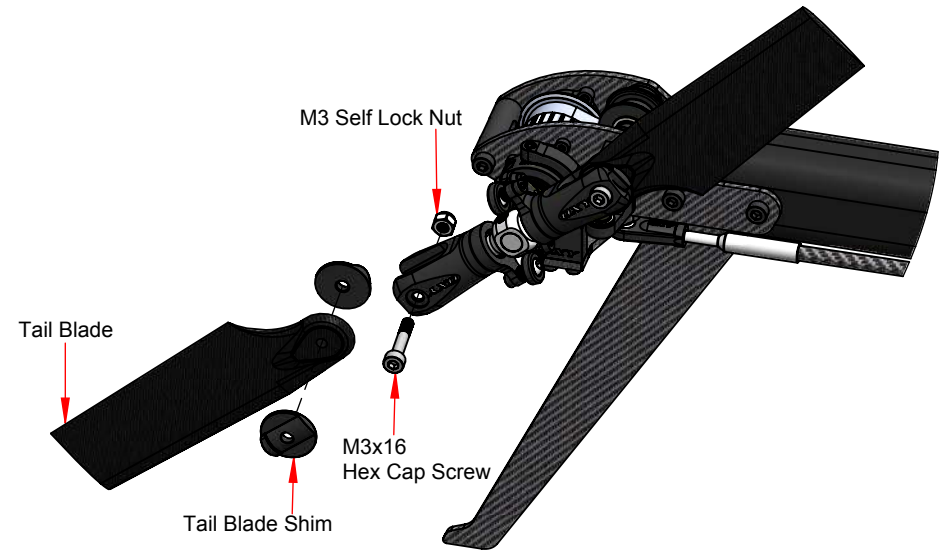


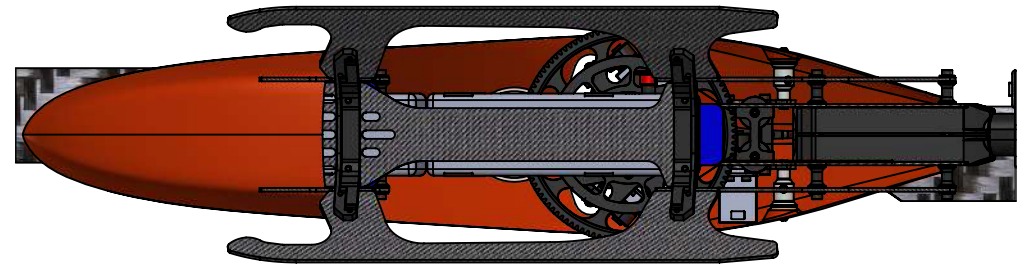
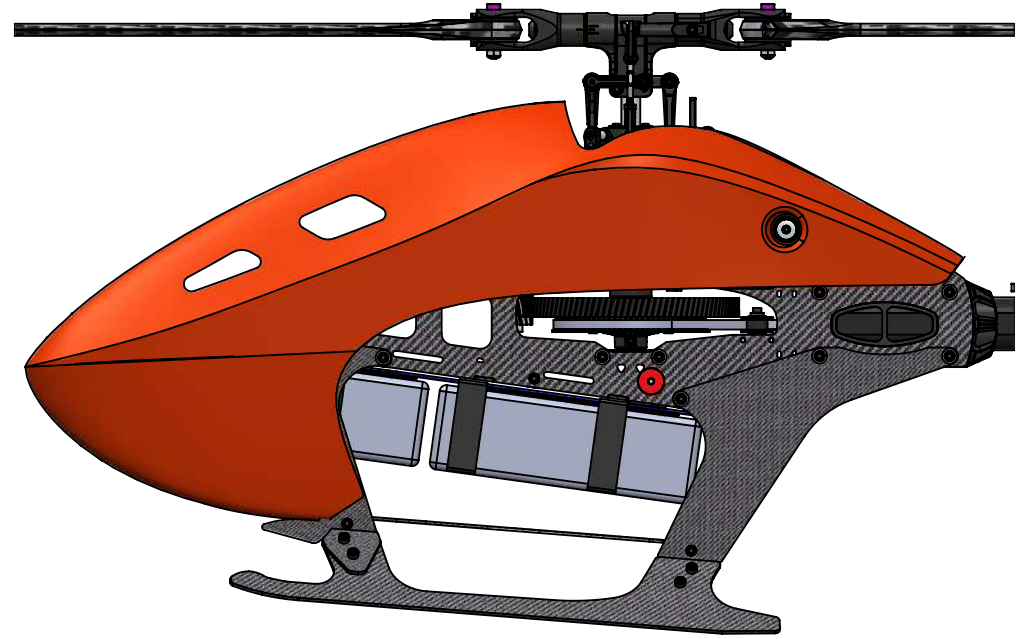
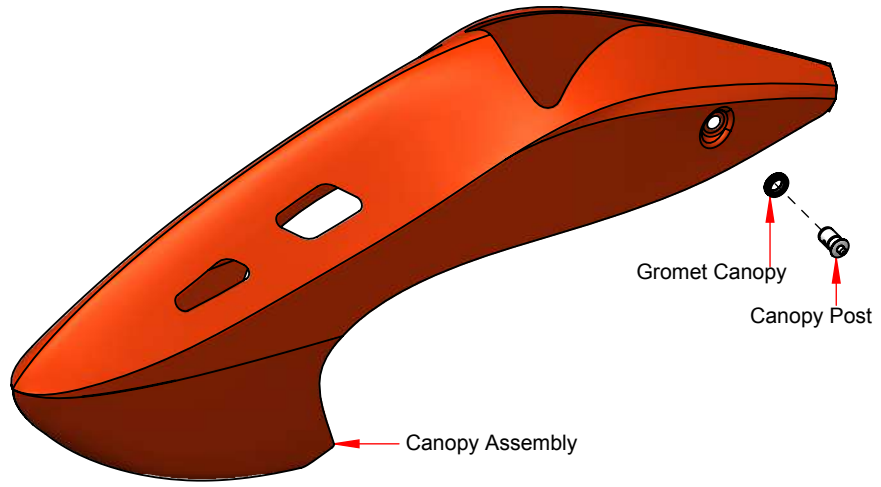
Please look at Accessories for the shims you need to adjust Main & Tail Blades thickness, in the kit have included:

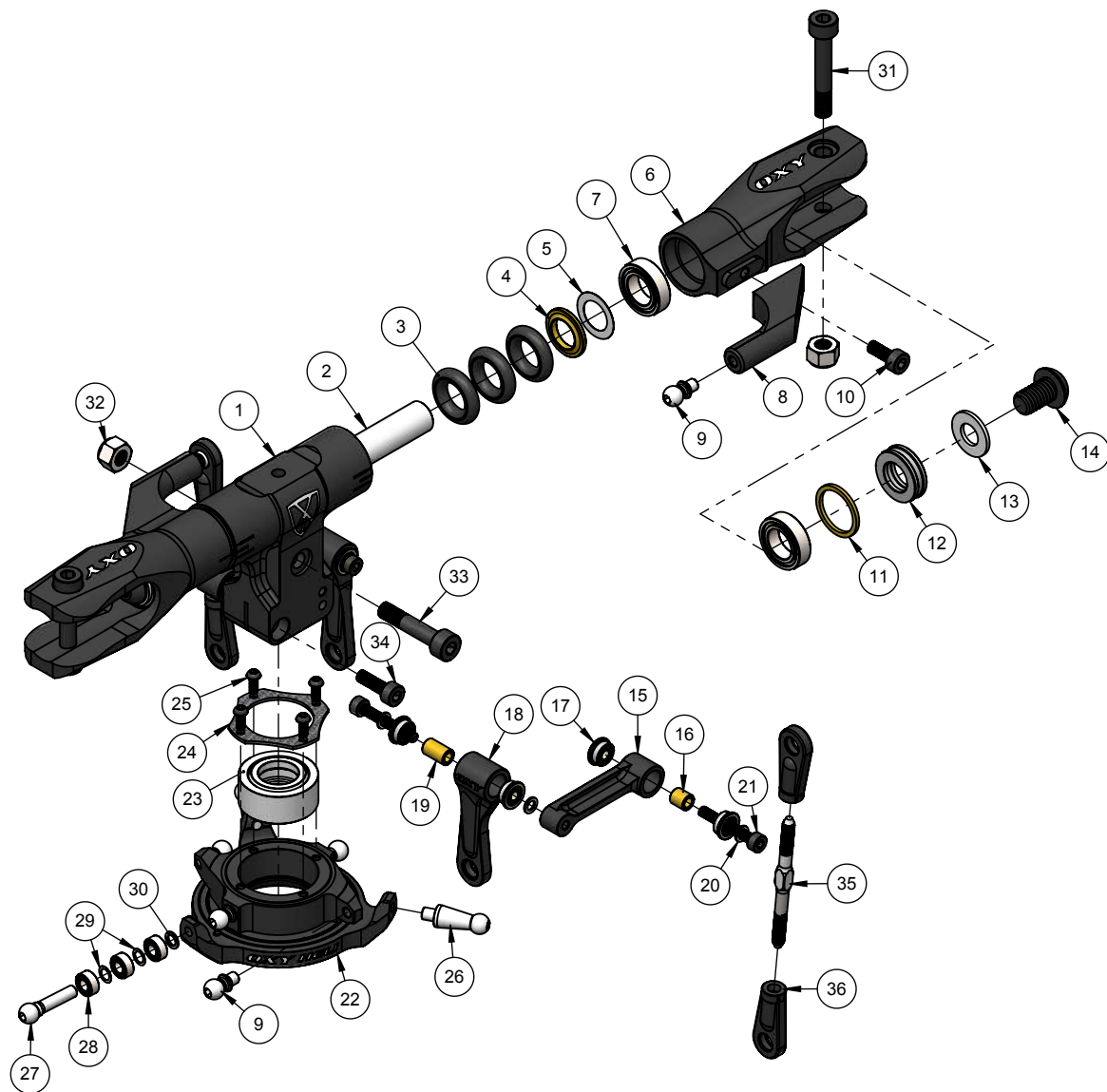
- 1 Set x OXY5 - Main Blade Plastic Spacer = 1.5mm thickness
- 1 Set x OXY5 - Main Blade Shim Silver = 0.5mm thickness
- 1 Set x OXY5 - Tail Blade Plastic Spacer = 1mm thickness



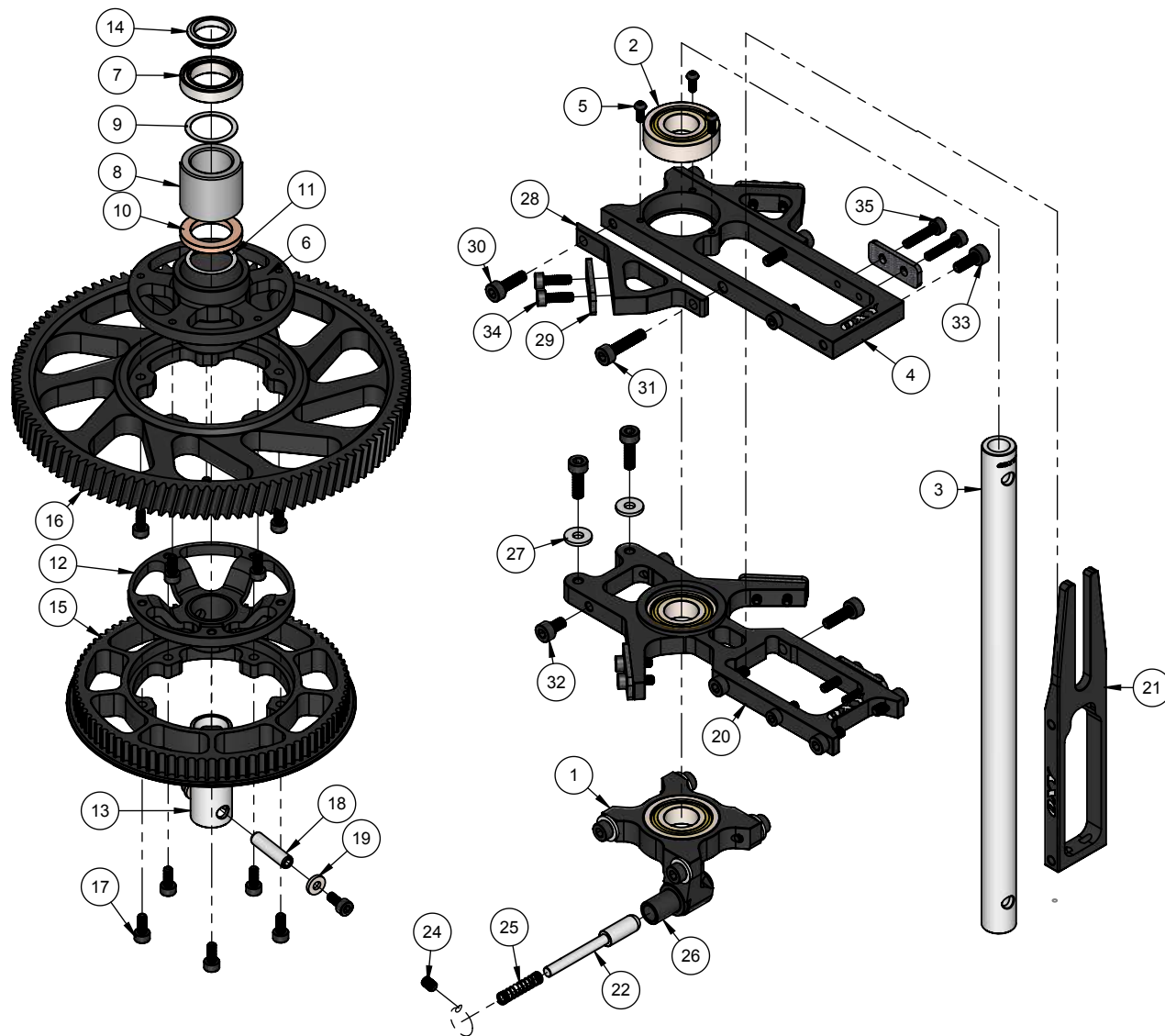
- For Main Blade have 10mm Root thickness please use Main Blade Shim PLastic 1.5mm thickness
- For Main Blade have 12mm Root thickness please use Main Blade Shim Silver 0.5mm thickness





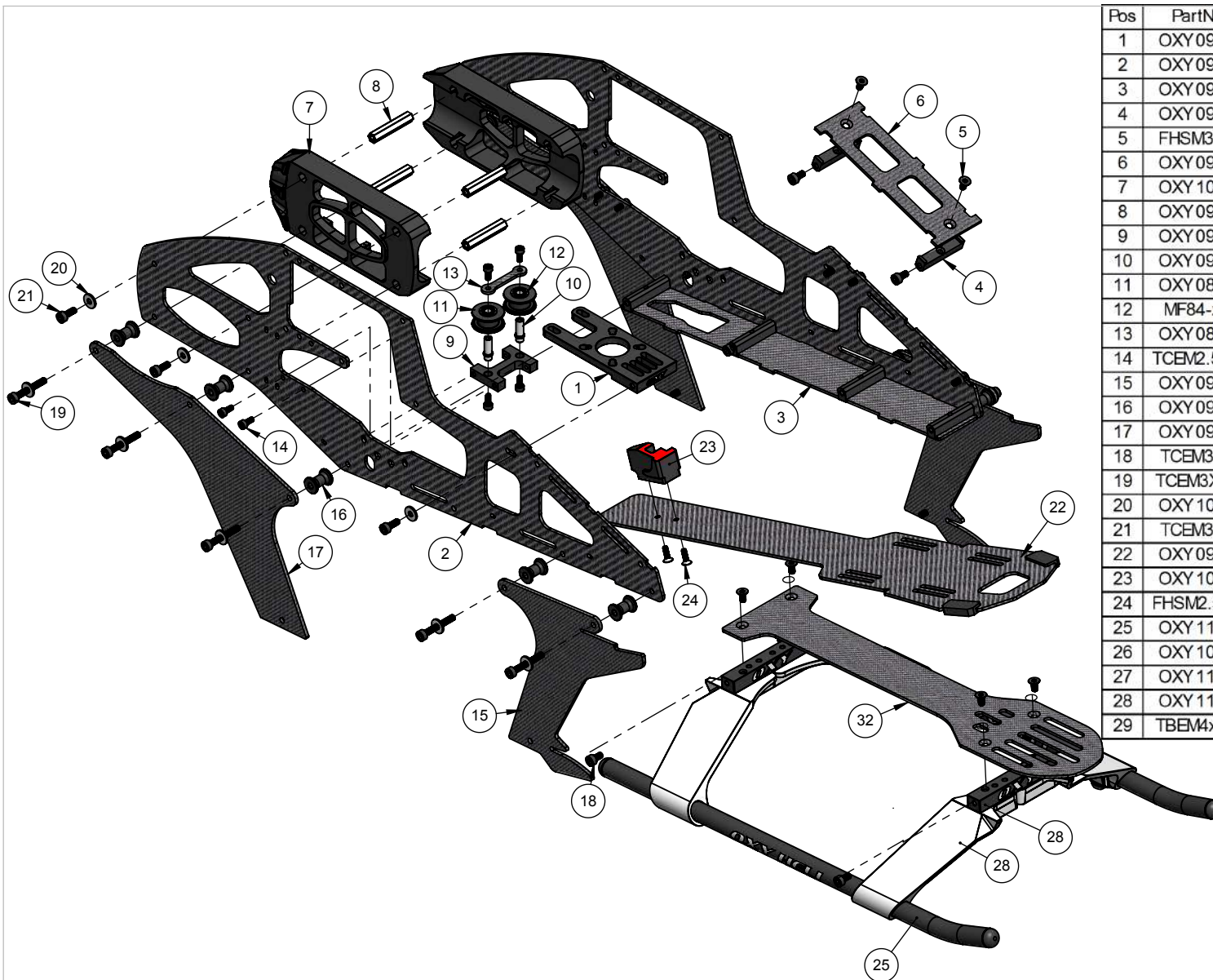


Pos	PartNo	DESCRIPTION	QTY.
1	OXY0861	OXY5 Center Hub	1
2	OXY0834	OXY5 Spindle Shaft	1
3	OXY1093	O-ring 7.5w 3.5 70 Shore	6
4	OXY0871	8X12.5X1 Steped Washer	2
5	OXY0879	8x12.5x0.1Shim	2
6	OXY0862	OXY5 Main Grip	2
7	MR148-ZZ	8x14x4 Radial Bearing	4
8	OXY0880	OXY5 Grip Arm	2
9	OXY1075	M3 Linkage Ball 5mm	6
10	TCEM3X8	M3X8 Hex Cap Screw	2
11	OXY0908	11x14x1 Spacer	2
12	F8-14G	8x14x4 Thrust Bearing	2
13	OXY0872	6x12x1 Washer	2
14	TBEM6x10	M6x10 Button Screw	2
15	OXY0899	OXY5-Follow er Arm	2
16	OXY0881	2.5X4.5X4.5 Bushing	2
17	SMF682X-ZZ	2.5x6x2.6 Flange Bearing	8
18	OXY1041	OXY5 Radius Arm	2
19	OXY0877	2.6x4x7 Bushing	2
20	OXY0870	2.5X4X0.5 Washer	8
21	TCEM2.5X18	M2.5x18 Hex Cap Screw	4
22	OXY0863	OXY5 low er Sw ash Plate	1
23	OXY0866	OXY5 SW Center Ball	1
24	OXY0868	OXY5 SW CF Cover	1
25	TBEM2X5	M2X5 Button Screw	7
26	OXY0832	XY5 low er Sw ash Plate B	2
27	OXY0833	OXY5 Anti Rotation Ball	1
28	MR63 ZZC	RADIAL BEARING 3X6X2.5	3
29	OXY0054	3X4X0.1 Shim	2
30	OXY0778	3.1x4.4x0.5 Washer	1
31	TCEM4x25S17	M4x25 Hex Cap Screw	2
32	SLNM4	M4 Self Look Nut	3
33	TCEM4x20S12	M4x20 Hex Cap Screw	1
34	TCEM3X10	M3X10 Hex Cap Screw	2
35	OXY1062	M3x40 Turnbuckle Rod	2
36	DR1252	Linkage Ball	4



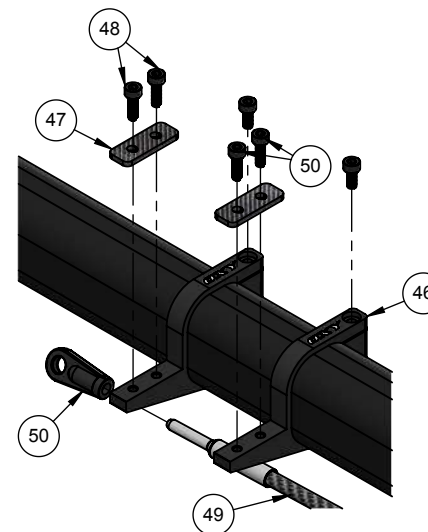
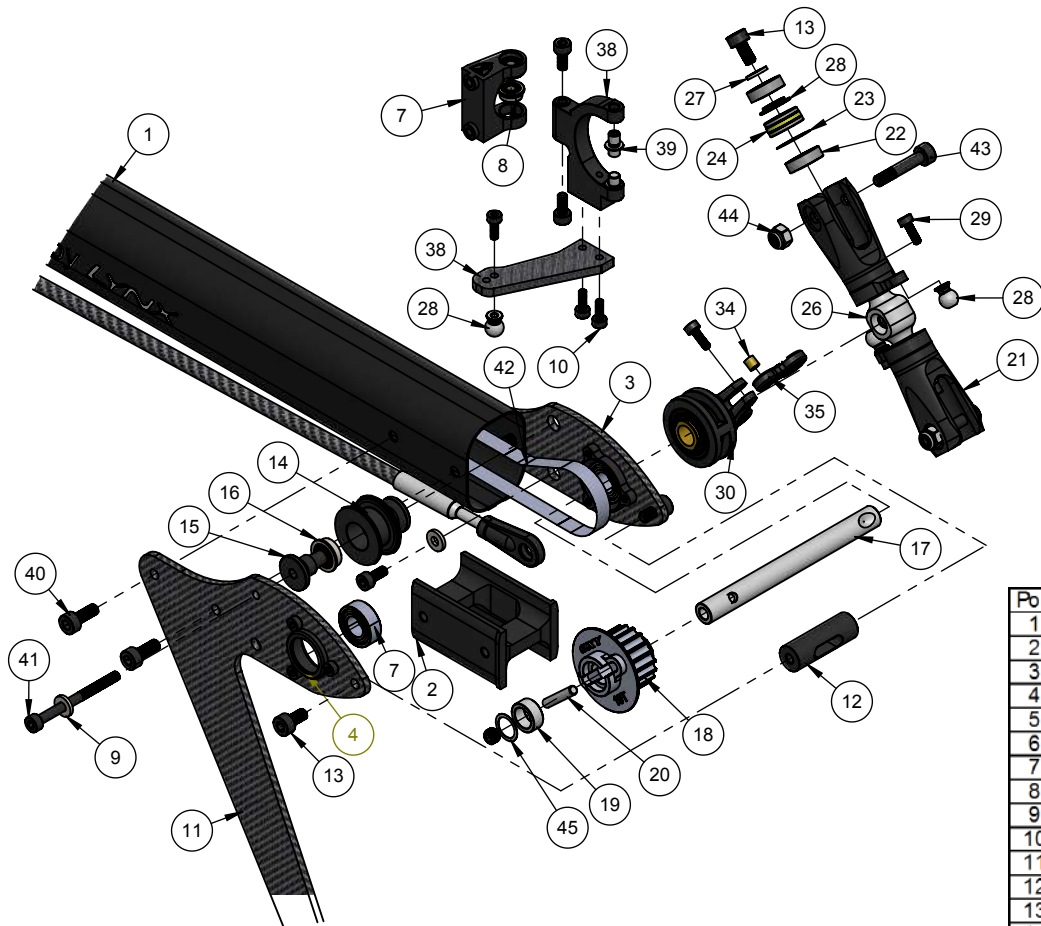
Pos	PartNo	DESCRIPTION	QTY.
1	OXY0944	OXY5-Low er Bearing Block	1
2	SMR900-ZZC	10X22X6 Radial Bearing	3
3	OXY0878	OXY 5 Main Shaft	1
4	OXY0849	OXY5 Upper Bearing Block	1
5	TBEM2X5	M2X5 Button Screw	3
6	OXY0842	OXY5 Main Gear Hub	1
7	MR6701-ZZ	12X18X4 RADIAL BEARING	1
8	HF1216	12x18x16 One Way Bearing	1
9	OXY0988	12X14X0.3 Shim	1
10	OXY0986	One Way Bushing	1
11	OXY1060	12X14X0.1 Shim	1
12	OXY0843	OXY5 Main Pulley Hub	1
13	OXY0846	OXY5 Main Gear Sleeve	1
14	OXY0990	OXY5 Main Gear Sleeve Cap	1
15	OXY0845	OXY5 Front Belt Pulley	1
16	OXY0841	OXY5 110T M01 Main Gear	1
17	TCEM2.5X6	M2.5X6 Hex Cap Screw	12
18	OXY0844	OXY 5 Jesus Pin	1
19	OXY0332	M2.5 Washer	2
20	OXY0850	OXY5 Middle Bearing Block	1
21	OXY0848	OXY5 Anti Rotation Guide	1
22	OXY1073	OXY5 Quick Release Pin	1
23	CP0040	17-7062-3-Battery Quick Release Button	1
24	SCM3x4	Flat-Tip Set Screw M3x4	1
25	OXY1089	OXY5- Quick Release Spring 0.4XOD4x25	1
26	OXY1069	OXY5- Quick Release Battery , Spring	1
27	OXY1072	3x8x1 Washer	6
28	OXY0853	OXY5- Front std Servo Support	2
29	OXY1087	OXY5 Servo Tab	6
30	TCEM3X10	M3X10 Hex Cap Screw	6
31	TCEM3X14	M3X14 Hex Cap Screw	2
32	TCEM3X6	M3X6 Hex Cap Screw	2
33	TCEM3X8	M3X8 Hex Cap Screw	7
34	TCEM2.5x8	M2.5X8 Hex Cap Screw	10
35	TCEM2.5x12	M2.5X12 Hex Cap Screw	4





Pos	PartNo	DESCRIPTION	QTY.
1	OXY0995	OXY 5 Motor Mount	1
2	OXY0969	OXY 5-Main Frame Plate	2
3	OXY0963	OXY 5-Middle CF Frame Plate	1
4	OXY0978	OXY 5 Frame Spacer Rod	6
5	FHSM3X6	M3X6 Flat Head Screw	10
6	OXY0962	OXY 5- ESC Tray Plate	1
7	OXY1034	OXY 5 Boom Clamp Moulded	2
8	OXY0979	OXY 5-Hex Rod 5x28	4
9	OXY0985	OXY 5 STD Front Pulley Guide Belt Support	1
10	OXY0984	OXY 5 STD Front Pulley Guide Belt Pin	2
11	OXY0883	OXY 5-Front Pulley Guide Belt	2
12	MF84-zz	4x8x3 flange Bearing	4
13	OXY0860	OXY 5 STD Front Pulley Guide Belt Bridge	1
14	TCEM2.5X6	M2.5X6 Hex Cap Screw	8
15	OXY0970	OXY 5-Front Length Plate	2
16	OXY0932	OXY 6 Frame Spacer Bushing	10
17	OXY0971	OXY 5 Back Leng Plate	2
18	TCEM3X6	M3X6 Hex Cap Screw	14
19	TCEM3X22	M3X22 Hex Cap Screw	10
20	OXY1072	3x8x1 Washer	6
21	TCEM3X8	M3X8 Hex Cap Screw	10
22	OXY0961	OXY 5- Battery Tray	1
23	OXY1066	OXY 5 Battery Hook	1
24	FHSM2.5X8	M2.5X8 Flat Head Screw	2
25	OXY1189	OXY 5 Landing Gear Tube	2
26	OXY1067	OXY 5 Bottom Plate Landing Gear	1
27	OXY1161	OXY 5- PL Landing Gear Support	2
28	OXY1188	OXY 5 Landing Gear Support for Plastic	2
29	TBEM4x10	M4x10 Button Screw	4





Pbs	PartNo	DESCRIPTION	QTY	Pb	PartNo	DESCRIPTION	QTY
1	OXY0780	OXY5 STD Tail Boom	1	26	OXY0811	OXY5-Tail Hub	1
2	OXY0822	OXY5 Tail Case Insert	1	27	OXY1036	3x6x1 Washer	2
3	OXY0974	Tail Case Plate	1	28	OXY0874	5mm Servo Ball	3
4	OXY1003	OXY5-Tail bearing	2	29	TCEM2X6	M2X6 Flx Cap Screw	7
5	RM126-ZZ	6x12x4 Radial Bearing	2	30	OXY1043	OXY5 PL Slider Ring	1
6	TCEM2X5	M2X5 Hex Cap Screw	6	31	OXY1005	OXY5- Tail Pitch Slider Bushing	1
7	OXY0818	OXY5 Tail Bell Crank	1	32	OXY0816	OXY5- Tail Slider Haft Moon	1
8	SMF682X-ZZ	2.5x6x2.6 Flange Bearing	2	33	MR128-ZZ	8X12X3.5 Radial Bearing	2
9	OXY0332	M2.5 Washer	2	34	OXY1038	2x3x3 Bushing	2
10	TCEM2.5X6	M2.5X6 Hex Cap Screw	5	35	OXY1042	OXY5 Link Control	2
11	OXY0973	OXY5-Vertical Fin	1	36	OXY0817	OXY5 Tail Bell Crank	1
12	OXY0821	Tail Case Rod	1	37	OXY1058	OXY5 - Tail Bell Crank Pin	2
13	TCEM3X6	M3X6 Hex Cap Screw	4	38	OXY0977	Bell Crank Arm	1
14	OXY0883	OXY5-Front Pulley Guide	1	39	SCM4X4	M4x4 Flat-Tip Set Screw	2
15	OXY0823	OXY5 Tail Belt Tensioner	2	40	TCEM3X8	M3X8 Hex Cap Screw	4
16	MF84-zz	4x8x3 flange Bearing	2	41	TCEM2.5X30	M2.5x30 Shoulder Hex Cap	1
17	OXY0812	OXY5 Tail Shaft	1	42	HTD3M-1698	Timing Belt	1
18	OXY0966	OXY5 19T Tail Pulley	1	43	TCEM3X16S1	M3X16 10mm Shouldered Hex	2
19	OXY1061	Bushing 6x8.5x3.6	1	44	SLNM3	M3 Self Lock Nut	2
20	OXY1059	2.5x14 Dowel Pin	1	45	OXY0040	6X8X0.1 SHIM	1
21	OXY0810	OXY4 Tail Grip	2	46	OXY0802	OXY5 AL Tail Servo Mount	2
22	MR105	5x10x3 Radial Bearing	4	47	OXY1087	OXY5 Servo Tab	2
23	OXY0039	8X10X0.2 SHIM	2	48	TCEM2.5x8	M2.5X8 Hex Cap Screw	4
24	F5-10M	5x10x4 Thrust Bearing	2	49	OXY0804	OXY5 Tail Push Rod	1
25	OXY0807	OXY5 Tail Grip Spacer	2	50	DR1252	Linkage Ball	2



OSP-1267-OXY5 - Center Hub



- 1 x Center Hub
- 2 x M3x10 Hex Cap Screw
- 1 x M4x20 Hex Cap Screw
- 1 x M4 Self Lock Nut

OSP-1268-OXY5 - Main Grip



- 1 x Main Grip
- 2 x 8x14x4 Radial Bearing
- 1 x M4x25 Hex Cap Screw
- 1 x 8x14x4 Thrust Bearing
- 1 Spacer 11x14x1

OSP-1269-OXY5  
Main Grip Bearing



- 4 x 8x14x4 Radial Bearing
- 2 x 8x14x4 Thrust Bearing
- 2 Spacer 11x14x1

OSP-1270  
OXY 5 - Dampeners Ring Soft



- 6 x Oring 7.5W3.5 70 Shore

OSP-1271  
OXY 5 - Dampeners Ring Hard



- 6 x Oring 7.5W3.5 90 Shore

OSP-1272-OXY5  
Spindle-Shaft



- 1 x Spindle
- 2 x Spacer 6x12x1
- 2 x M6x10 Button Screw

OSP-1273-OXY5  
Follower Arm



- 1 Set follower Arm

OSP-1274-OXY5  
Radius Arm



- 1 Set Radius Arm

OSP-1275-OXY5  
Pitch Arm Ball Linkage



- 5 x 5mm Pitch Ball

OSP-1276-OXY5  
40mm Turnbuckle Rod



- 2 x 40mm Turnbuckle Rod

OSP-1277-OXY5  
Plastic Linkage Ball



- 10 x Plastic Ball Linkage

<p>OSP-1278-OXY5 Swashplate</p>  <p>1 x Swash Plate</p>	<p>OSP-1279-OXY5 Swashplate Swivel Ball</p>  <p>1 x Center Ball 1 CF Cover 4 x Pitch Ball 2 x Lower SW Ball 1 x Anti Rotation Ball 3 x M2x5 Button Screw</p>	<p>OSP-1352-OXY5 Spindle Step Spacer, Set</p>  <p>1 x Spindle Step Spacer</p>	<p>OSP-1281-OXY5 Main-Shaft</p>  <p>1 x Main Shaft 1 x M4x20 Hex Cap Screw 1 x M4 Self Lock Nut</p>	<p>OSP-1282-OXY5 Main-Grip-Arm</p>  <p>1 x Grip Arm 1 x M3x8 Hex Cap Screw 1 x Pitch Ball</p>
<p>M4x20CS-10 Hex Cap Shoulder Screw M4x20, 10PCS</p>  <p>10 x M4x20 Shouldred Hex Cap Screw</p>	<p>M4x25CS-10 Hex Cap Shoulder Screw M4x25, 10PCS</p>  <p>10 x M4x25 Shouldred Hex Cap Screw</p>	<p>M3x10CS-10 Hex Cap Screw M3x10, 10 PCS</p>  <p>10 x M3x10 Hex Cap Screw</p>	<p>M2.5x18CS-10 Hex Cap Screw M2.5x18, 10 PCS</p>  <p>10 x M2.5x18 Hex Cap Screw</p>	<p>OSP-1353 Washer 2.5x4x0.5, 10pcs</p>  <p>10 x 2.5x4x0.5 Washer</p>
<p>M4-SLN-10 Self Lock M4</p>  <p>10 x M4 Self Lock Nut</p>	<p>OSP-1280-OXY5 Blade-Holder</p>  <p>1 x Blade Holder</p>	<p>OSP-1341-OXY5 Main Blade Spacer 1.5mm</p>  <p>4 x 1.5 Main Blade Spacer</p>	<p>OSP-1342-OXY5 Main Blade Spacer 0.5mm</p>  <p>4 x 0.5 Main Blade Spacer</p>	<p>OSP-1357 OXY5-Leveler</p>  <p>1 x Leveler</p>

OSP-1386 OXY5 - Rigid Dampener



2 x POM Dampener  
 2 x O-ring 7.5 w3.5 90 shore  
 2 x shim 8.1x11x0.1

OSP-1401 OXY5 - MEG Turnbuckle Pitch Rod



2 x M3x47 Turnbuckle Pitch Rod





OSP-1283-OXY5  
Upper Bearing Block



- 1 x Upper Bearing Block
- 1 x 10x22x6 Radial Bearing
- 2 x M3x8 Hex Cap Screw
- 2 x M3x10 Hex Cap Screw
- 1 x M2.5x8 Hex Cap Screw
- 2 x M2.5x12 Hex Cap Screw

OSP-1286-OXY5  
Standard Servo Support



- 1 x Front Servo Arm Support
- 2 x M2.5x8 Hex Cap Screw

OSP-1284-OXY5  
Middle Bearing Block



- 1 x Middle Bearing Block
- 1 x 10x22x6 Radial Bearing
- 2 x M3x8 Hex Cap Screw
- 2 x M3x10 Hex Cap Screw
- 5 x M2.5x8 Hex Cap Screw
- 2 x M2.5x12 Hex Cap Screw

OSP-1285-OXY5  
Lower Bearing Block



- 1 x Lower Bearing Block
- 1 x 10x22x6 Radial Bearing
- 4 x M3x8 Hex Cap Screw
- 4 x 3x8x1 Washer

OSP-1346-OXY5  
Quick Release Canopy Pin



- 1 x Batter Tray Lock Pin
- 1 x Release Battery Nut
- 1 x Set Screw M3x4
- 1 x Spring 3x25
- 1 x Bushing

OSP-1288-OXY5  
Front Boom Mount



- 2 x Boom Clamp
- 4 x 5mm Hexagon Rod
- 4 x M3 x8 Hex Cap Screw
- 1 x M3x22 Hex Cap Screw
- 1 x Frame Bushing

OSP-1289-OXY5  
Antirotation Guide



- 1 x Anti rotation Guide
- 2 x M3x10 Hex Cap Screw
- 2 x M3x14 Hex Cap Screw

OSP-1290-OXY5  
ESC Plate



- 1 ESC Tray Set

OSP-1291-OXY5  
Middle Frame Plate



- 1 CF Middle Tray

OSP-1292-OXY5  
Quick Release Battery Tray



- 1 Battery Tray Plate

OSP-1293-OXY5  
Main Gear Hub



- 1 Main Gear Hub Assembly

<p>OSP-1294-OXY5 CNC Main Gear</p>  <p>1 x Main Gear</p>	<p>OSP-1295-OXY5 Front Pulley</p>  <p>1 x Front Pulley</p>	<p>OSP-1296-OXY5 Front Pulley Hub</p>  <p>1 x Pulley Hub</p>	<p>OSP-1297-OXY5 One Way Sleeve</p>  <p>1 x Main Gear Sleeve</p>	<p>OSP-1298-OXY5 One Way Lock Pin</p>  <p>1 x Jesus Pin</p>
<p>OSP-1407 OXY5 Plastic Landing Gear Strut, White</p>  <p>1 x Landing Gear Support Set</p>	<p>OSP-1300-OXY5 Bottom Plate Landing Gear</p>  <p>1 x Bottom Plate</p>	<p>OSP-1405 OXY5 Plastic Landing Gear, Tube</p>  <p>Landing Gear Tube, Set</p>	<p>OSP-1302-OXY5 Main Frame, 1Pcs</p>  <p>1 x Main Frame</p>	<p>OSP-1303-OXY5 Front Length</p>  <p>Front Length, Set</p>
<p>OSP-1304-OXY5 Back Length</p>  <p>Rear Length, Set</p>	<p>OSP-1305-OXY5 Std CF Canopy Mount Plate</p>  <p>Canopy Mount Plate, Set</p>	<p>OSP-1306-OXY5 Quick Release canopy</p>  <p>Quick Release Canopy, Set</p>	<p>OSP-1307-OXY5 Frame Spacer Bushing</p>  <p>Frame Space Bushing, 10 Pcs</p>	<p>OSP-1308-OXY5 Rear Cyclic mini Servo Support</p>  <p>Rear Cyclic Servo</p>

<p>OSP-1309-OXY5 Front Right Cyclic mini Servo Support</p>  <p>Right Front Cyclic mini Servo Support</p>	<p>OSP-1310-OXY5 Front Left Cyclic mini Servo Support</p>  <p>Front Left Cyclic mini Servo Support</p>	<p>OSP-1311-OXY5 Servo Arm F</p>  <p>Servo Arm, 5pcs</p>	<p>OSP-1312-OXY5 12T 6mm Pinion</p>  <p>1 x Pinion 12T</p>	<p>OSP-1313-OXY5 13T 6mm Pinion</p>  <p>1 x Pinion 13T</p>
<p>OSP-1314-OXY5 14T 6mm Pinion</p>  <p>1 x Pinion 14T</p>	<p>OSP-1358-OXY5 12T 5mm Pinion</p> 	<p>OSP-1359-OXY5 13T 5mm Pinion</p> 	<p>OSP-1360-OXY5 14T 5mm Pinion</p> 	<p>OSP-1318-OXY5 Front Pulley Guide Belt Support</p>  <p>Front Pulley Guide Belt Support</p>
<p>OSP-1319-OXY5 Front Pulley Guide Belt</p>  <p>Front Pulley Guide Belt, Set</p>	<p>OSP-1347-OXY5 mini-Servo-Support-Set</p>  <p>mini Servo Support, Set</p>	<p>OSP-1287-OXY5 Motor Mount</p>  <p>1 x Motor Mount</p>	<p>OSP-1349-OXY5 Servo Tab</p>  <p>Servo tab, 10pcs</p>	<p>OSP-1350-OXY5 mini-Servo-Tab</p>  <p>mini Servo tab, 10pcs</p>

<p>OSP-1378 OXY5 - Motor Shaft Extra Support</p>  <p>1 x Thirst Motor Mount Block          1 x 5x13x4 Flange Bearing          1 x 6x13x5 Flange Bearing          4 x M3x12 Hex Cap Screw          4 x M4x12 Hex Cap Screw</p>	<p>OSP-1425-OXY5-Front-Frame-Spacer</p>  <p>2 x Front Frame Spacer</p>	<p>OSP-1426-OXY5-Rear-Frame-Spacer</p>  <p>2 x Rear Frame Spacer</p>	<p>OSP-1427-OXY5-Main-Gear-Bushing</p>  <p>1 x Main Gear Bushing</p>	<p>OSP-1428-OXY5-Main-Gear-One-Way-Case</p>  <p>1 x One Wase Case</p>
<p>OSP-1429-OXY5-Main Gear One Way Sleeve</p>  <p>1 x Main Gear One Way Sleeve</p>	<p>OSP-1430-OXY5 Main Gear Hub</p>  <p>1 x Main Gear Hub</p>	<p>OSP-1456-OXY5 HF One Way Hub, Set</p>  <p>1 x Main Gear Hub, Set</p>		



OSP-1335-OXY5  
45mm Turnbuckle Rod



45mm Turnbuckle Rod, 3Pcs

OSP-1277-OXY5  
Plastict Linkage Ball, 10Pcs



Plastict Linkage Ball, 10Pcs

OSP-1339-OXY5  
Servo Ball



Servo Ball, 5pcs

OSP-1354  
3x8x1-Washer



3x8x1-Washer, 10pcs

M2x6CS-10  
Hex Cap Screw M2x6, 10 PCS



M2x6 Hex Cap Screw, 10pcs

M2.5x8CS-10  
Hex Cap Screw M2.5x8, 10 PCS



Hex Cap Screw M2.5x8, 10 PCS

M2.5x10CS-10  
Hex Cap Screw M2.5x10, 10 PCS



Hex Cap Screw M2.5x10, 10 PCS

M2.5x12CS-10  
Hex Cap Screw M2.5x12, 10 PCS



Hex Cap Screw M2.5x12, 10 PCS

M2.5x14CS-10  
Hex Cap Screw M2.5x14, 10 PCS



Hex Cap Screw M2.5x14, 10 PCS

M3x6CS-10  
Hex Cap Screw M3x6, 10PCS



Hex Cap Screw M3x6, 10PCS

M3x8CS-10  
Hex Cap Screw M3x8, 10 PCS



Hex Cap Screw M3x8, 10 PCS

M3x10CS-10  
Hex Cap Screw M3x10, 10 PCS



Hex Cap Screw M3x10, 10 PCS

M3x14CS-10  
Hex Cap Screw M3x14, 10PCS



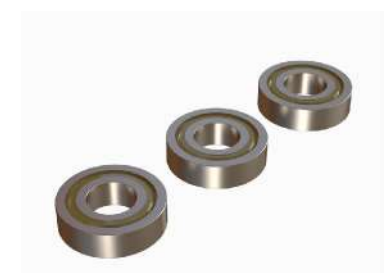
Hex Cap Screw M3x14, 10PCS

M3x22CSFT-10  
Hex Cap Screw M3x22, 10PCS



Hex Cap Screw M3x22, 10PCS

OSP-1338  
10-x22x6-Radial-Bearing



10x22x6 Radial Bearing



OSP-1315-OXY5 Tail Boom



1 x Tail Boom

OSP-1316-OXY5 Tail Servo Mount



Tail Servo Mount, Set

OSP-1317-OXY5 Tail Case Insert



1 x Tail Case Insert

OSP-1320-OXY5 Vertical Fin



Vertical Fin, Set

OSP-1322-OXY5 Tail Case Side



Tail Case Side

OSP-1321-OXY5 Tail Case Rod



Tail Case Rod

OSP-1323-OXY5 Tail hub



1 x Tail hub

OSP-1324-OXY5 Tail Shaft



1 x Tail Shaft

OSP-1325-OXY5 18T Tail Pulley



1 x 18T Pulley

OSP-1326-OXY5 19T Tail Pulley









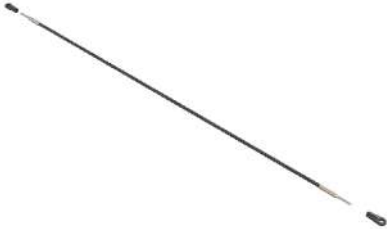




1 x 19T Pulley

OSP-1327-OXY5 20T Tail Pulley



1 x 20T Pulley

<p>OSP-1328-OXY5 Tail Pitch Slider</p>  <p>1 x Tail Pitch Slider</p>	<p>OSP-1329-OXY5 Tail pitch slider linkage</p>  <p>2 x Plastic Link Control, Spare</p>	<p>OSP-1330-OXY5 Bell Crank Support</p>  <p>1 x Bell Crank Support, Set</p>	<p>OSP-1331-OXY5 Tail Bell Crank</p>  <p>1 x Tail Bell Crank</p>	<p>OSP-1332-OXY5 Tail Push Rod Standard Length</p>  <p>1 x Tail Push Rod</p>
<p>OSP-1334-OXY5 Tail Belt STD Length</p>  <p>1 x HTD3M 1698mm Timing Belt</p>	<p>OSP-1336-OXY5 Tail Grip</p>  <p>1 x Tail Grip</p>	<p>OSP-1337-OXY5 Tail Grip Service Part</p>  <p>2 x Thrust Bearing 5x10x4 4 x Radial Bearing 5x10x3 2 x Shim 8x10x0.2 2 x Tail Grip Spacer</p>	<p>OSP-1343-OXY5 Tail Blade Spacer</p>  <p>4 x 1mm Tail Blade Spacer</p>	<p>OSP-1344-OXY5 Tail Case Bearing Service Bag</p>  <p>2 x 6x12x4 Radial Bearing</p>
<p>OSP-1345-OXY5 Tail Bell Crank Service Bag</p>  <p>1 x CF Arm 1 x ball 3 x M2x6 Hex Cap Screw</p>	<p>M2.5x30CS-10-Hex Cap Shoulder Screw M2.5x30, 10PCS</p>  <p>M2.5x30 Hex Cap Screw</p>	<p>M3x6CS-10 Hex Cap Screw M3x6, 10PCS</p>  <p>M3x6CS-10 Hex Cap Screw M3x6, 10PCS</p>	<p>M3x8CS-10 Hex Cap Screw M3x8, 10 PCS</p>  <p>Hex Cap Screw M3x8 10PCS</p>	<p>M2.5x6CS-10 Hex Cap Screw M2.5x6, 10 PCS</p>  <p>Hex Cap Screw M2.5x6, 10 PCS</p>

<p>M2x6CS-10 - Hex Cap Screw M2x6, 10 PCS</p>  <p>Hex Cap Screw M2x6, 10 PCS</p>	<p>OSP-1454-OXY5-HF-Verticl-Fin</p>  <p>1 x HF Vertical Fin</p>	<p>OSP-1455-OXY5-HF-Tail-Case</p>  <p>1 x HF Side Case</p>	<p>OSP-1422-OXY5-Black White Matte Painted STD Tail Boom</p>  <p>1 x STD Matte Black-White Painted Boom</p>	<p>OSP-1423-OXY5-Black White Matte Painted 625 Tail Boom</p>  <p>1 x 625 Matte Black-White Painted Boom</p>
<p>OSP-1374 OXY5 - MEG Stretch Tail Belt</p>  <p>1 x Meg Tail Belt</p>	<p>OSP-1375 OXY5 - MEG Stretch Tail Push Rod</p>  <p>1 x Meg Tail Rod</p>	<p>OSP-1451-OXY5 HF 21T Tail Pulley</p>  <p>1 x 21T tail Pulley, Set</p>	<p>OSP-1452-OXY5-HF-22T-Tail-Pulley</p>  <p>1 x 22T tail Pulley, Set</p>	<p>OSP-1453-OXY5 HF Tail Tensioner</p>  <p>1 x Tensioner, Set</p>
<p>OSP-1373 OXY5 - MEG Stretch Tail Boom</p> 				



SP-OXY3-054 - OXY3  
Battery Hook & Loop, 2 Set



Battery Hook & Loop, 2 Set

LX0194 - 10/15mm  
Electronic Hook & Loop



Electronic Hook & Loop

LX5242 - Omicron Threadlocker  
Medium Strength



LX5648 - Omicron Retaining Compound  
High Strength Bonding



SP-OXY3-055 - OXY3  
Double Side Adhesive Tape, 2PC



Double Side Adhesive Tape, 2PC

SP-OXY3-057 - Cable Ties Set



LX0169 - 8/10mm Spindle Shaft Wrench



OSP-1363-OXY5-300mm Battery Velcro



OSP-1364-OXY5-255mm Battery Velcro



*Update list*

*5 - August - 2019: edit page 11*

*Add Pro Tips To optimize assembly precision and compensate tolerance slack, add little amount of superglue 401 or 402, between Tail Pulley and Tail Shaft as shown. For service operation, heat with lighter the Shaft to unlock the parts.*

*5 - August - 2019: edit page 14*

*Add Pro Tips: To optimize assembly precision and compensate tolerance slack, add little amount of superglue 401 or 402, between Tail Case Bearing and Tail Shaft as shown. For service operation, gently push out the shaft.*

*5 - August - 2019: page 15*

*Add Pro Tips: add little amount of loctite 243 between Tail Hub and Tail Shaft, will increase the assembly precision and strength. For service operation, heat with lighter the Hub and unlock lockthread.*

*5 - August - 2019: page 28*

*Edit Fine Adjust Shims Note: In order to give fine adjustment options, in the Extra Hardware Bag you will find extra shims 12X18X0.1. Start assembly one shim. If Gear Hub has play more than 0.1, add shims as required,*

*Add Pro Tips: The Gear Hub must have at least 0.1mm vertical play.*

*5 - August - 2019: page 30*

*Edit main Shaft Side Note.*

*5 - August - 2019: page 31*

*Add Note: In order to remove Main Shaft vertical play, Lower Bearing Block MUST move UP! To remove eventually residual Main Shaft vertical play, gently increase Jesus Pin Screw tighten.*

*5 - August - 2019: page 34*

*Add note for Linkage Ball Position: In our testing 17.5mm default servo ball mount works best for most FBL and servo combinations. However depending on your servo resolution and FBL for example NEO you may yield better results with 14.5mm position.*

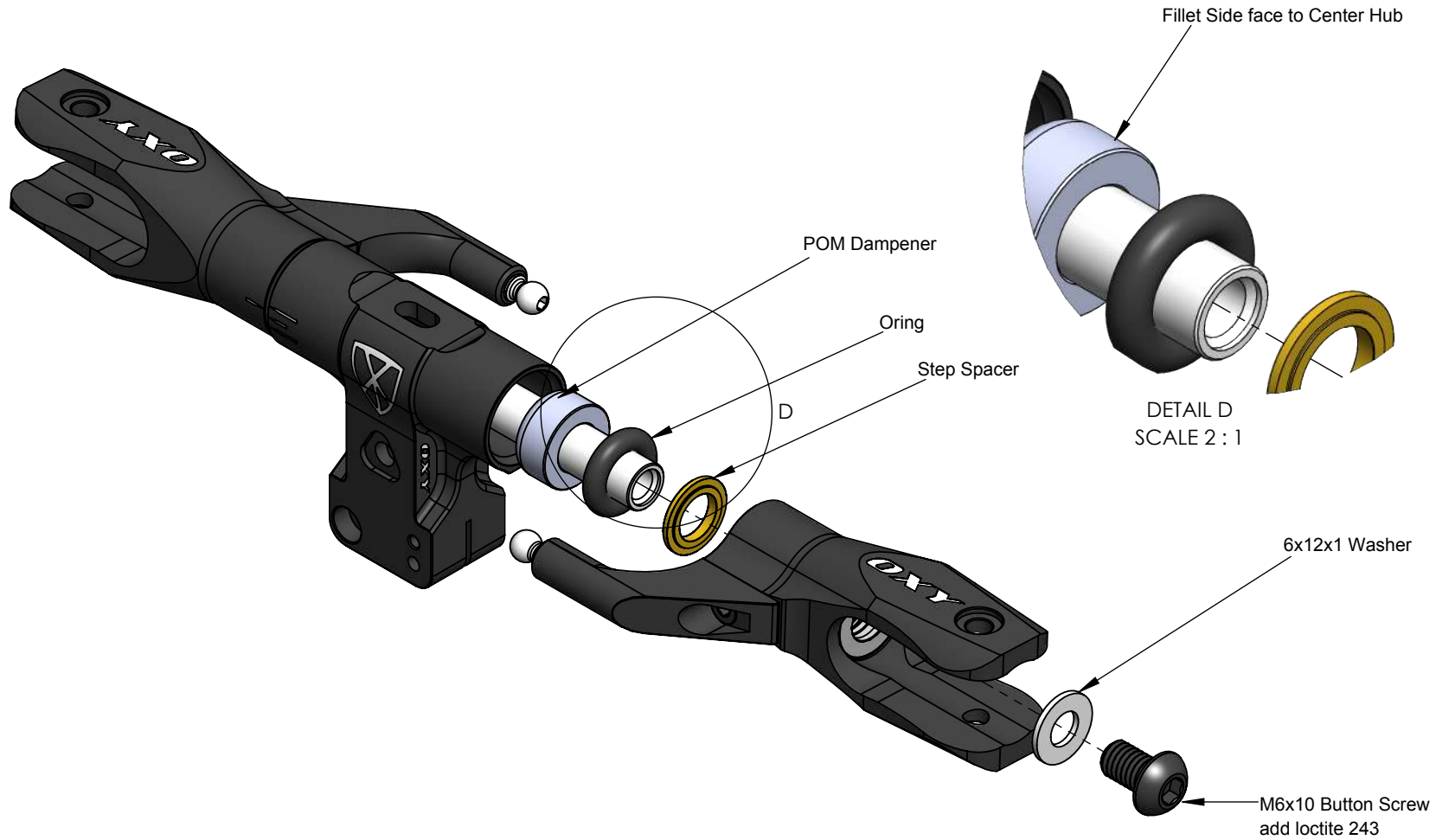
*5 - August - 2019: page 34*

*Main Gear/Pinion Mesh Pro Tips: Push motor / pinion against main gear, then rotate main gear by hand, find if there is any high spot, if there is, then set your gear mesh tight there. By tight, push lightly by hand. Then rotate gear, slightly by hand. Then lock down the motor position. Then check by hand, high spot should just contact, rest you should feel just a hair click of backlash.*

Semi-Rigid Dampener .....page 77

3th Motor mount Block.....page 78

### Semi-Rigid Dampener





3th Motor mount Block

Depend on your Motor Shaft  
Please choose 6x13x5 Flange Bearing  
or 5x13x4 Flange Bearing

