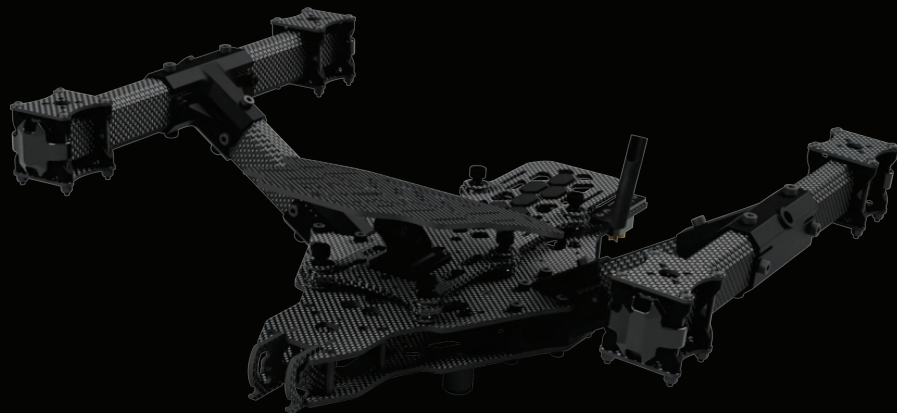


# QAV-PRO LIFTER

PROFESSIONAL EQUIPMENT FOR CINEMATIC FPV



PRODUCT MANUAL



X

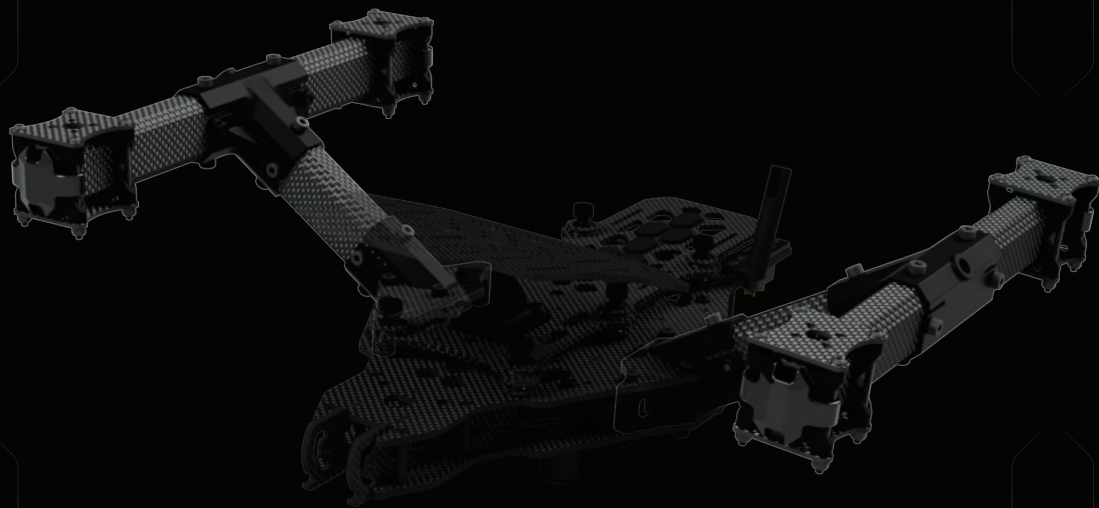


# TABLE OF CONTENTS

SECTION # 1	ARMS ASSEMBLY
SECTION # 2	BODY ASSEMBLY
SECTION # 3	ISOLATION SYSTEM ASSEMBLY
SECTION # 4	MISCELLANEOUS PARTS AND FINAL DETAILS

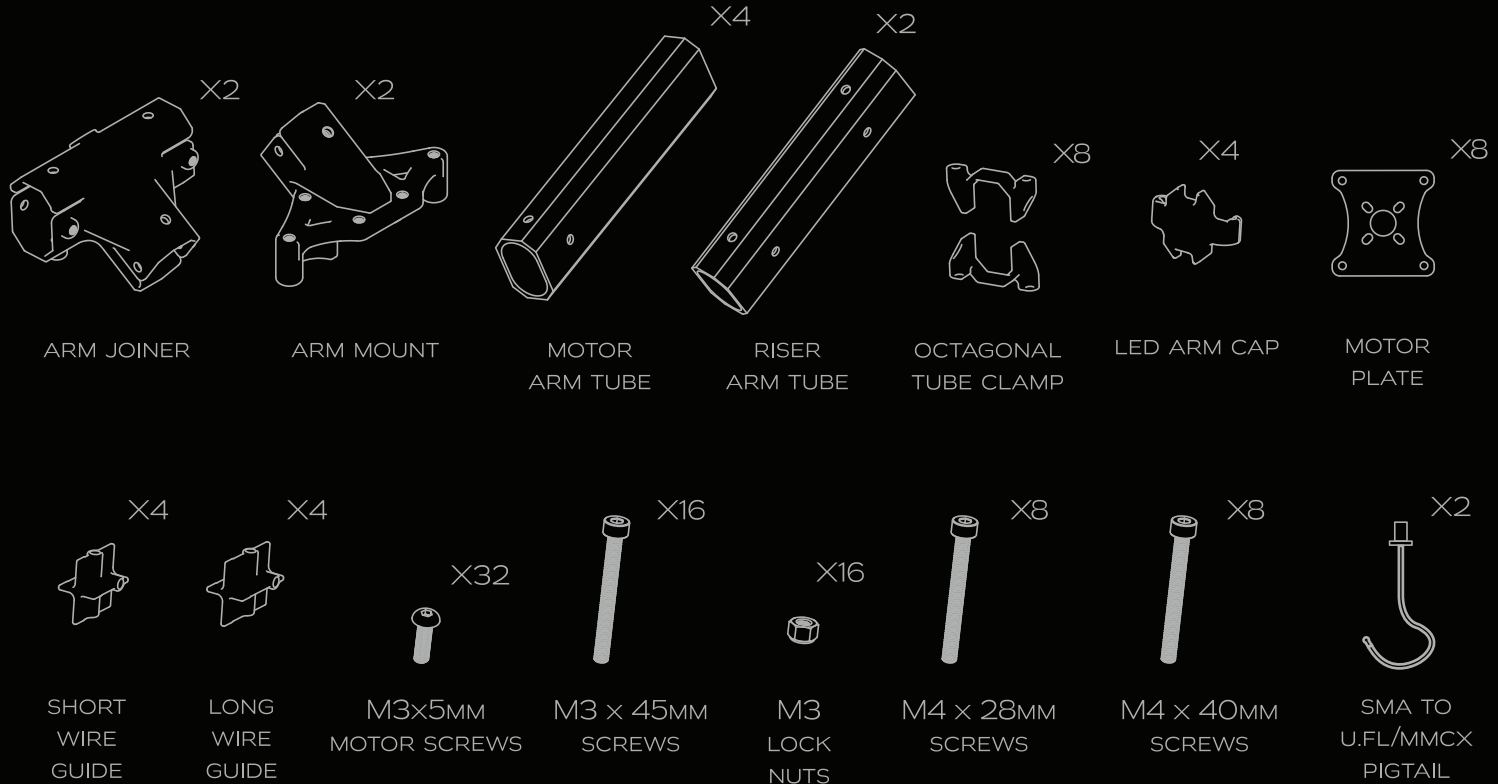
SECTION #1

ARMS ASSEMBLY



# PARTS NEEDED FOR THIS ASSEMBLY

ARMS ASSEMBLY



ARMS ASSEMBLY

ADDITIONAL PARTS  
INCLUDED

X32



M3x5MM  
MOTOR SCREWS

M3 x 45MM  
SCREWS



LED ARM CAP

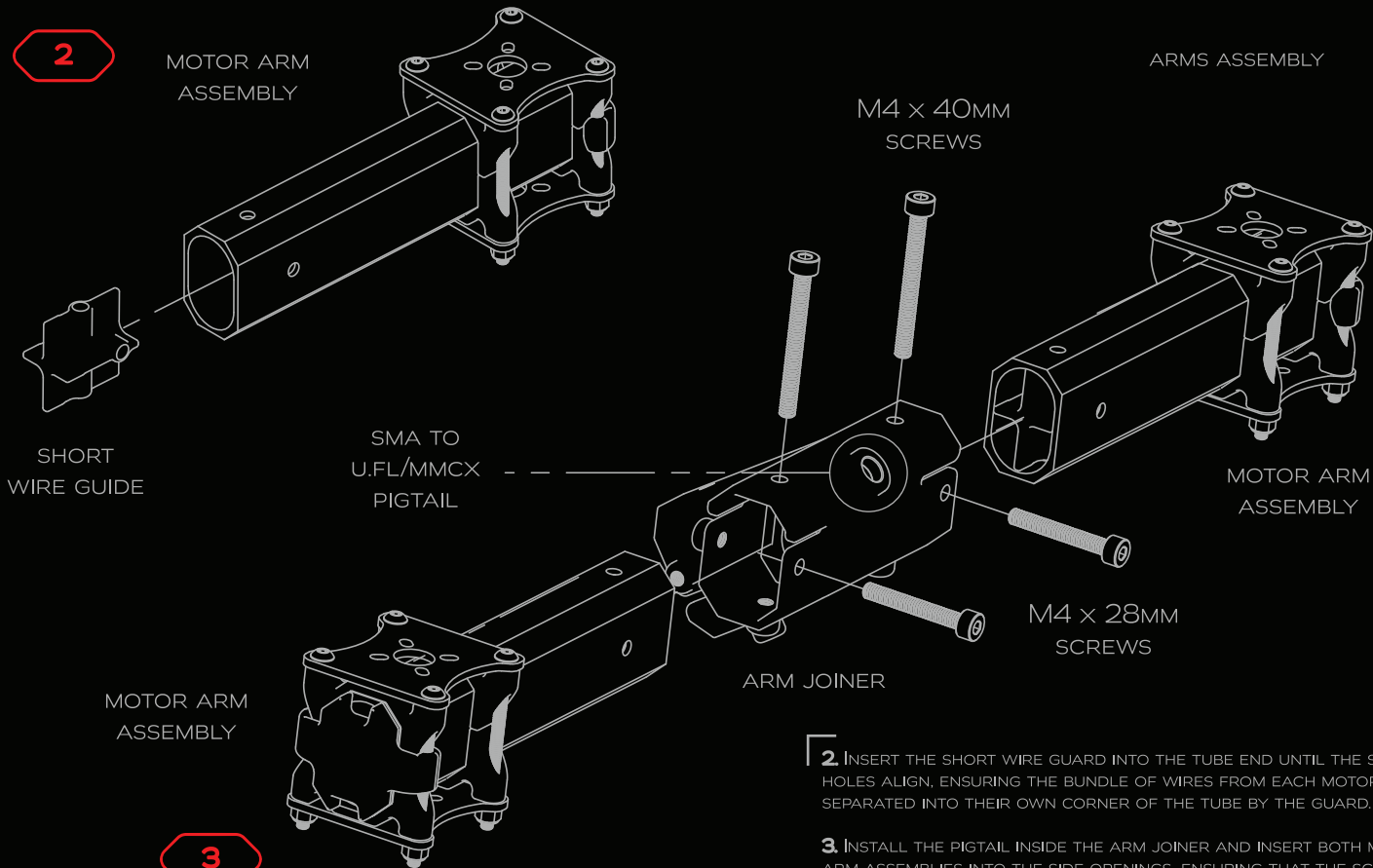
MOTOR PLATE

MOTOR ARM TUBE

OCTAGONAL  
TUBE CLAMP

M3 LOCK  
NUTS

**1** FOLLOW THE MOTOR ARM ASSEMBLY SHOWN. LABEL THE MOTOR WIRES AND RUN THEM THROUGH THE TUBE TOGETHER WITH THE LED WIRE. GLUE THE LED BOARD INTO THE ARM END, THEN BOLT THE SCREWS THROUGH THE LED ARM CAP BRACES. CHECK THE ALIGNMENT OF THE PARTS, THEN TIGHTEN THE ASSEMBLY.



- 2.** INSERT THE SHORT WIRE GUARD INTO THE TUBE END UNTIL THE SCREW HOLES ALIGN, ENSURING THE BUNDLE OF WIRES FROM EACH MOTOR ARE SEPARATED INTO THEIR OWN CORNER OF THE TUBE BY THE GUARD.
- 3.** INSTALL THE PIGTAIL INSIDE THE ARM JOINER AND INSERT BOTH MOTOR ARM ASSEMBLIES INTO THE SIDE OPENINGS, ENSURING THAT THE SCREW HOLES ALIGN. BOLT THE M4 SCREWS INTO THE ALUMINUM THROUGH THE TUBE AND THE WIRE GUIDE, THEN TIGHTEN THE SCREWS UNTIL THE ASSEMBLY IS RIGID.

**4**RISER  
ARM TUBELONG  
WIRE GUIDE

ARMS ASSEMBLY

LONG  
WIRE GUIDE

ARM JOINER

**5**M4 x 40MM  
SCREWSM4 x 28MM  
SCREWS

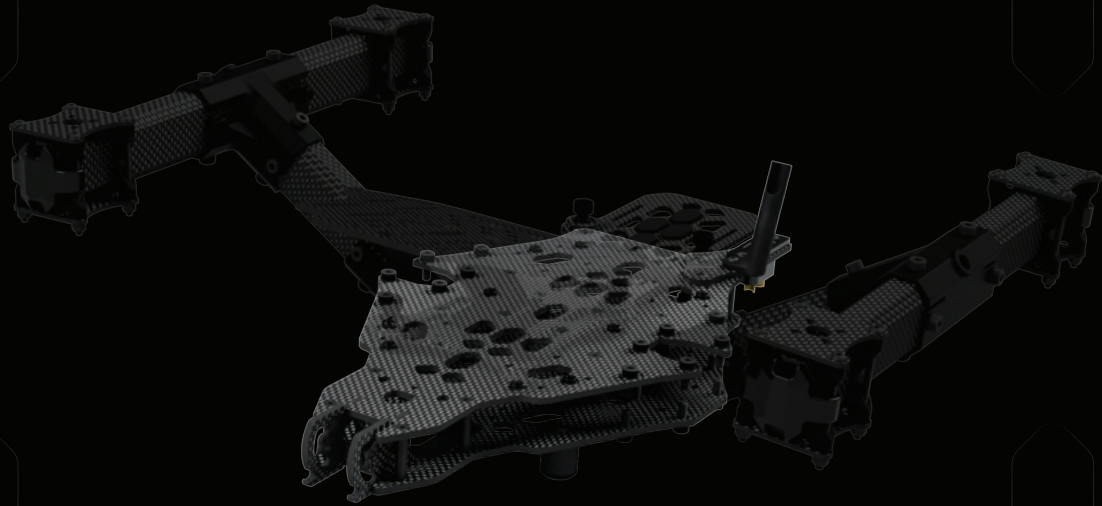
ARM MOUNT

**4.** INSERT THE LONG WIRE GUIDES INTO BOTH ENDS OF THE RISER TUBE, ENSURING THAT THE SCREW HOLES ARE ALIGNED PROPERLY. RUN THE MOTOR WIRES THROUGH THE OPENINGS IN THE WIRE GUARDS AT EACH CORNER, WITH ONE SET OF MOTOR WIRES PER OPENING.

**5.** INSERT THE RISER TUBE INTO THE ARM JOINER, THEN INSERT THE RISER ARM INTO THE ARM MOUNT AND ALIGN THE SCREW HOLES. BOLT THE M4 SCREWS INTO THE ALUMINUM THROUGH THE TUBE AND THE WIRE GUIDE, THEN TIGHTEN THE SCREWS UNTIL THE ASSEMBLY IS RIGID.

SECTION #2

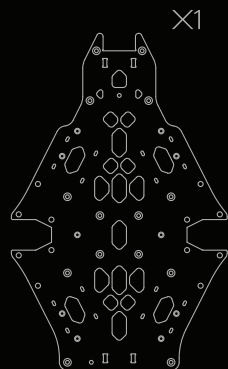
BODY ASSEMBLY





# PARTS NEEDED FOR THIS ASSEMBLY

BODY ASSEMBLY



X1

MAIN PLATE



X1

FPV  
CAMERA PLATE  
LEFT



X1

FPV  
CAMERA PLATE  
RIGHT



X1

XT90  
PANEL MOUNT



X1

XT90  
MOUNT PLATE



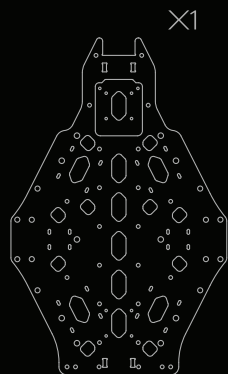
X1

IMMORTAL T  
ANTENNA  
MOUNT



X1

10AWG  
WIRE MOUNT



X1

BOTTOM PLATE



X1

USB  
CABLE  
MOUNT



X4

LANDING  
GEAR



X10

M3x20MM  
STANDOFF



X3

M3 x 8MM  
SCREWS



X3

M3 x 10MM  
SCREWS



X12

M3 x 10MM  
SCREWS



X1

M3 x 14MM  
SCREWS



X6

M3 x 20MM  
SCREWS



X3

M4 x 10MM  
SCREWS



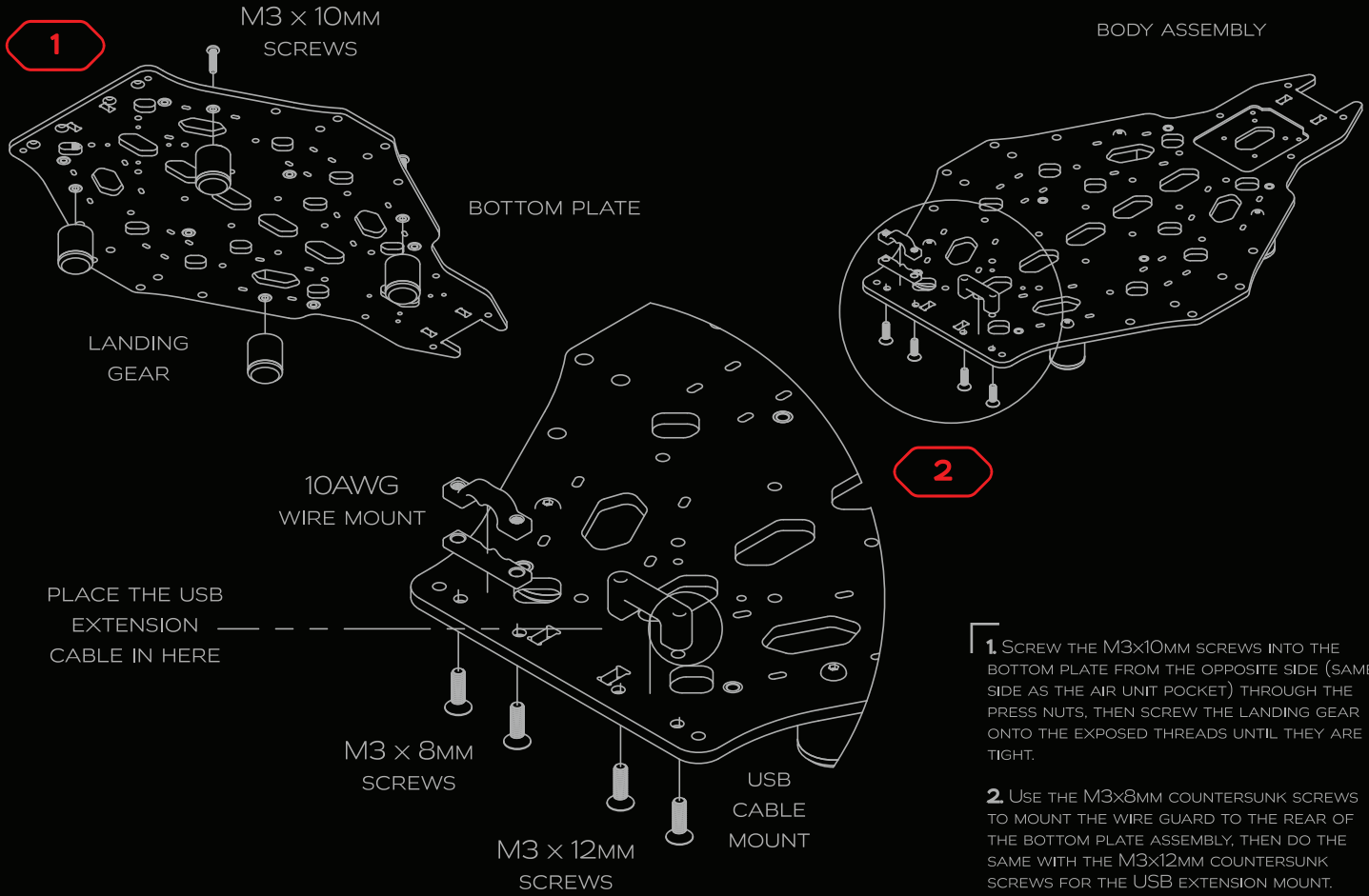
X2

M3  
LOCK NUTS

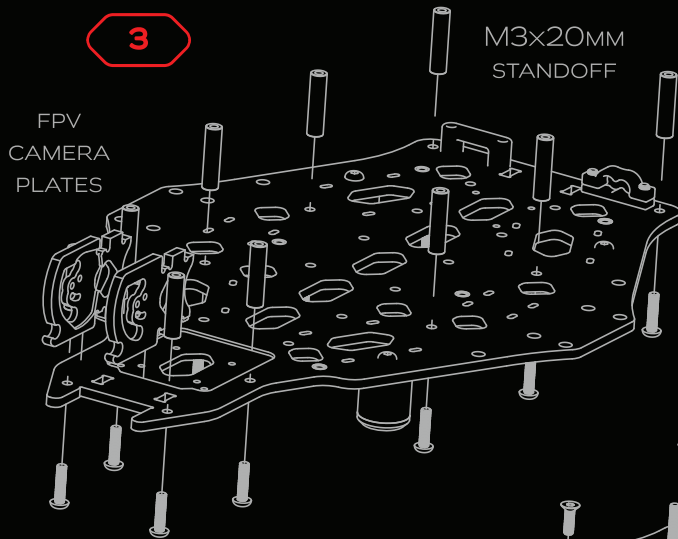


X2

M3 x 12MM  
SCREWS



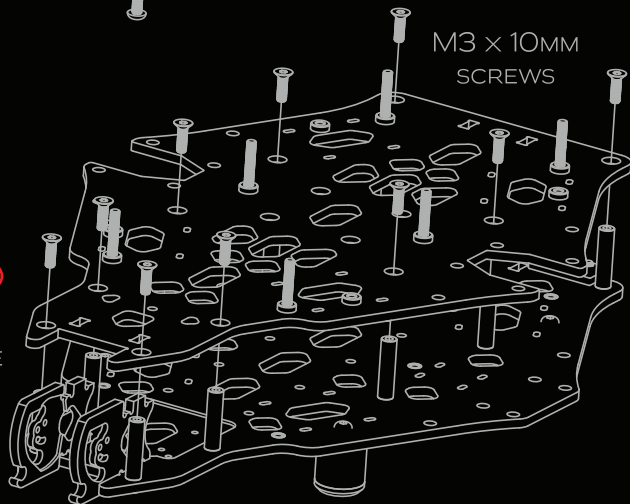
1. Screw the M3x10mm screws into the bottom plate from the opposite side (same side as the air unit pocket) through the press nuts, then screw the landing gear onto the exposed threads until they are tight.
2. Use the M3x8mm countersunk screws to mount the wire guard to the rear of the bottom plate assembly, then do the same with the M3x12mm countersunk screws for the USB extension mount.



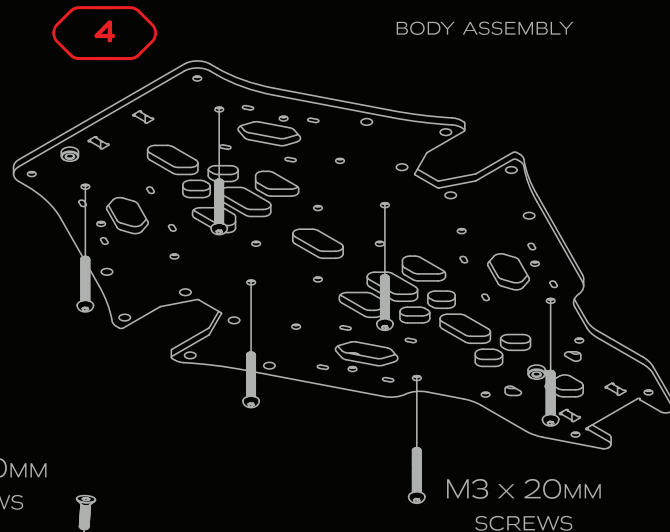
M3 x 10MM  
SCREWS

3

MAIN PLATE



M3 x 10MM  
SCREWS



BODY ASSEMBLY

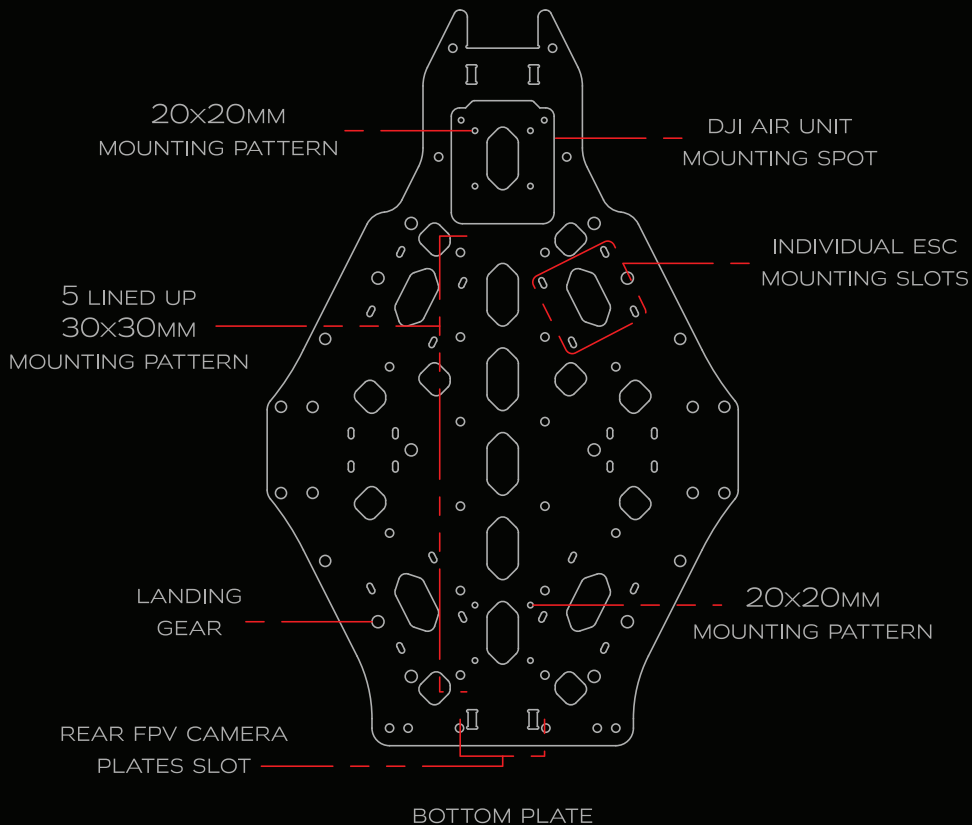
4

M3 x 20MM  
SCREWS

**3.** Use the M3x10mm screws to secure the 20mm standoffs to the inside of the bottom plate. Then insert the camera plates with the antenna hooks towards the bottom plate.

**4.** Screw the M3x20mm standard button head screws into the top plate from the opposite side (inside the frame) out through the press nuts. Threads are exposed outside the frame for mounting the isolation grommets.

**5.** Use the M3x10mm countersunk screws to secure the top plate assembly to the standoffs.

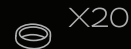


BODY ASSEMBLY

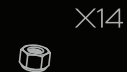
ADDITIONAL PARTS INCLUDED



X12  
M3x22MM  
STACK SCREWS



X20  
M3 STACK  
SILICONE O-RINGS

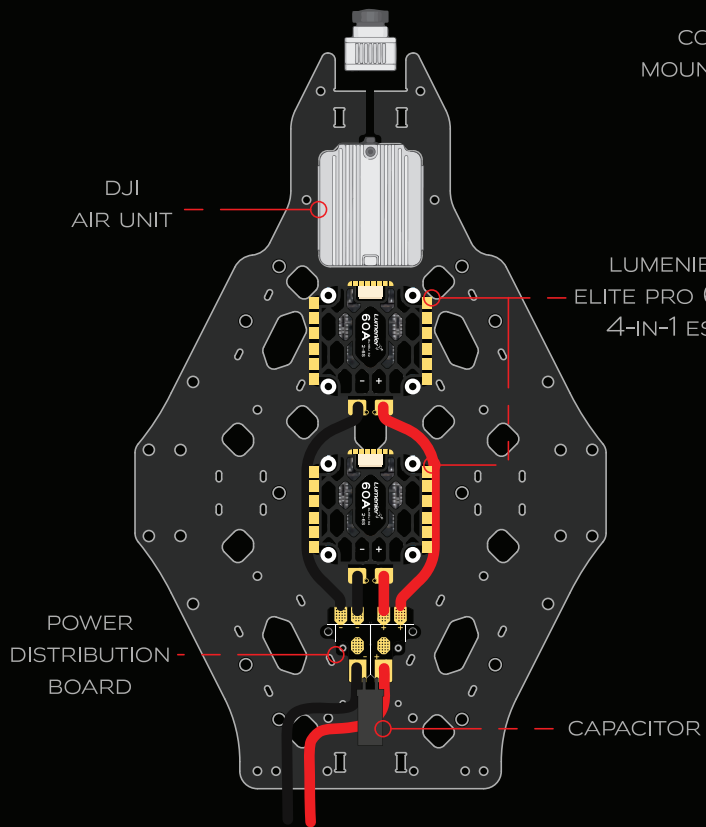


X14  
M3  
STACK NYLON NUTS

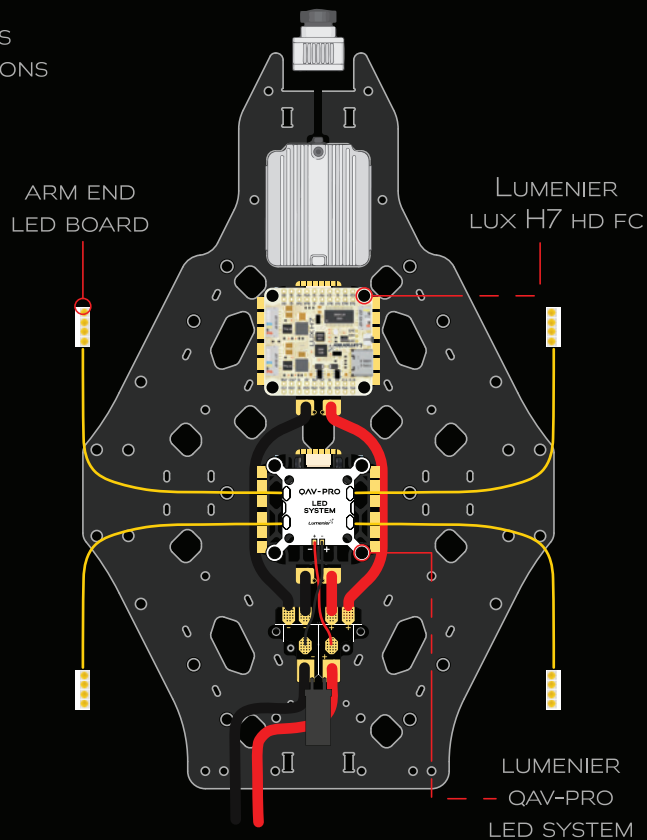


X2  
M1.6x10MM  
DJI AIR UNIT SCREWS

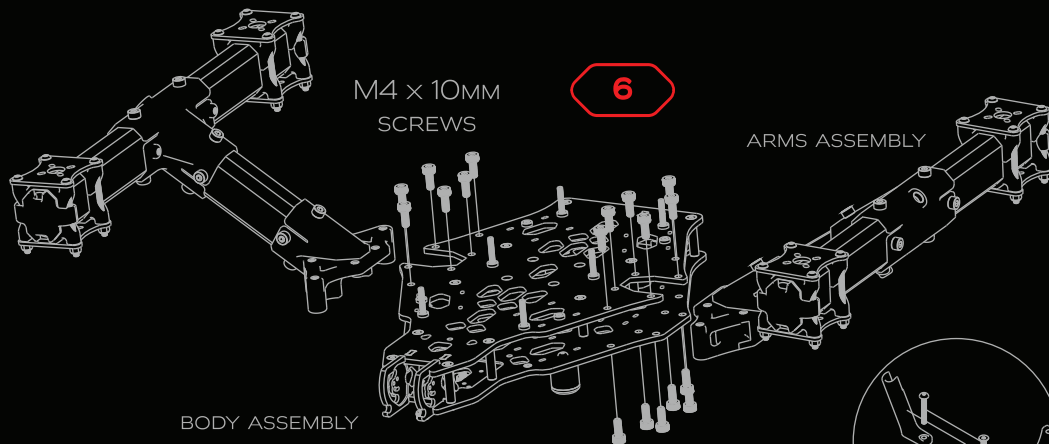
COMPONENTS  
MOUNTING OPTIONS



BOTTOM LAYER



TOP LAYER



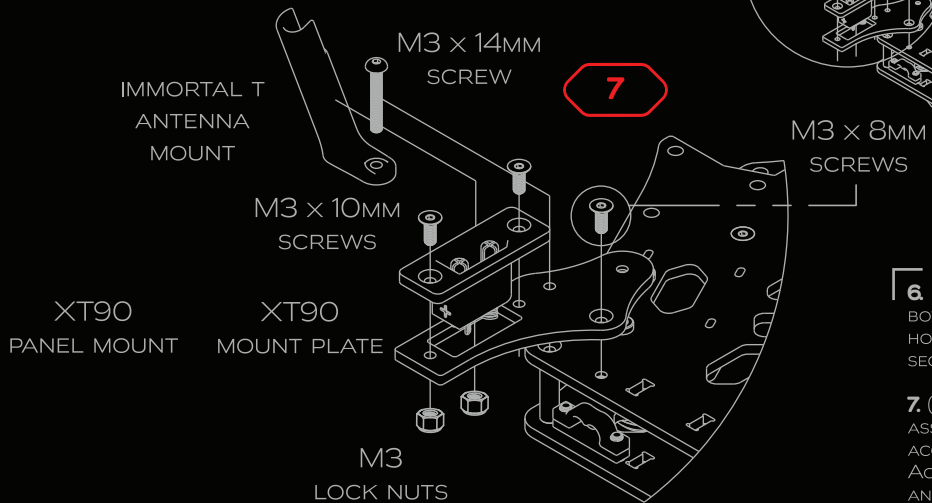
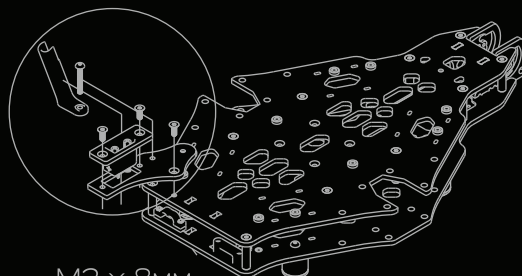
M4 x 10MM  
SCREWS

6

ARMS ASSEMBLY

BODY ASSEMBLY

BODY ASSEMBLY



M3 x 14MM  
SCREW

7

M3 x 8MM  
SCREWS

IMMORTAL T  
ANTENNA  
MOUNT

M3 x 10MM  
SCREWS

XT90  
PANEL MOUNT

XT90  
MOUNT PLATE

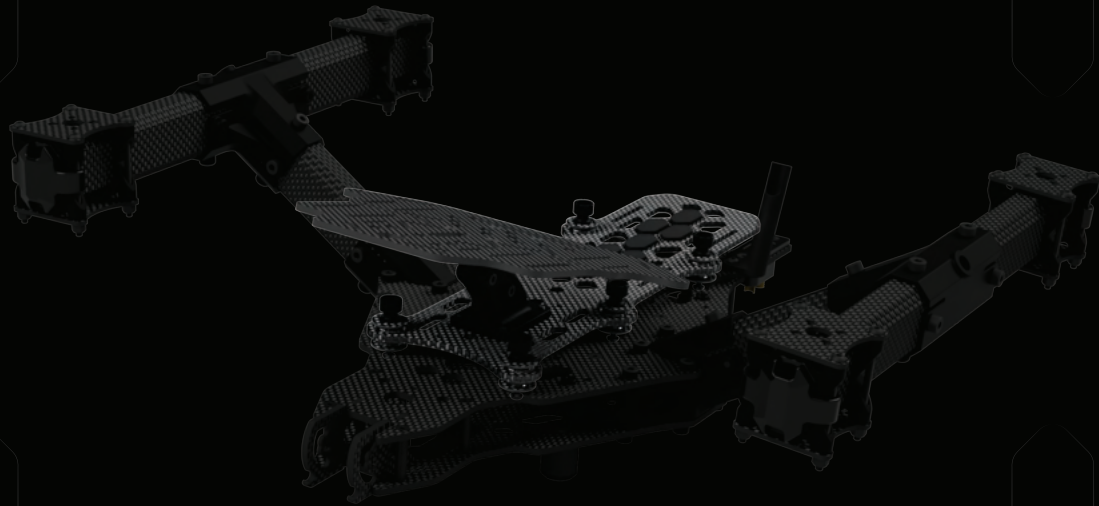
M3  
LOCK NUTS

**6** INSERT EACH ARM ASSEMBLY BETWEEN THE TOP AND BOTTOM PLATE, ALIGNING THE ARM NOTCH AND SCREW HOLES. USE THE M4x10MM SOCKET CAP SCREWS TO SECURE THE PLATES TO THE ALUMINUM ARM MOUNTS.

**7.** (OPTIONAL) USE THE HARDWARE SHOWN IN THE ASSEMBLY INSTRUCTIONS TO MOUNT THE DESIRED ACCESSORIES TO THE REAR OF THE TOP PLATE. ACCESSORIES INCLUDE AN IMMORTAL T ANTENNA MOUNT AND XT90 PANEL MOUNT.

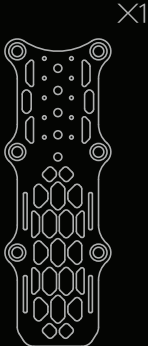
SECTION #3

ISOLATION SYSTEM ASSEMBLY



# PARTS NEEDED FOR THIS ASSEMBLY

ISOLATION SYSTEM ASSEMBLY



ISOLATION  
PLATE



CINE CAMERA  
PLATE



UPPER CAMERA  
MOUNT BRACKET



LOWER CAMERA  
MOUNT BRACKET



BATTERY PAD  
SEGMENT



CARBON FIBER  
WASHER



KNURLED  
THUMB NUT



ALPHA GEL A1  
DAMPERS

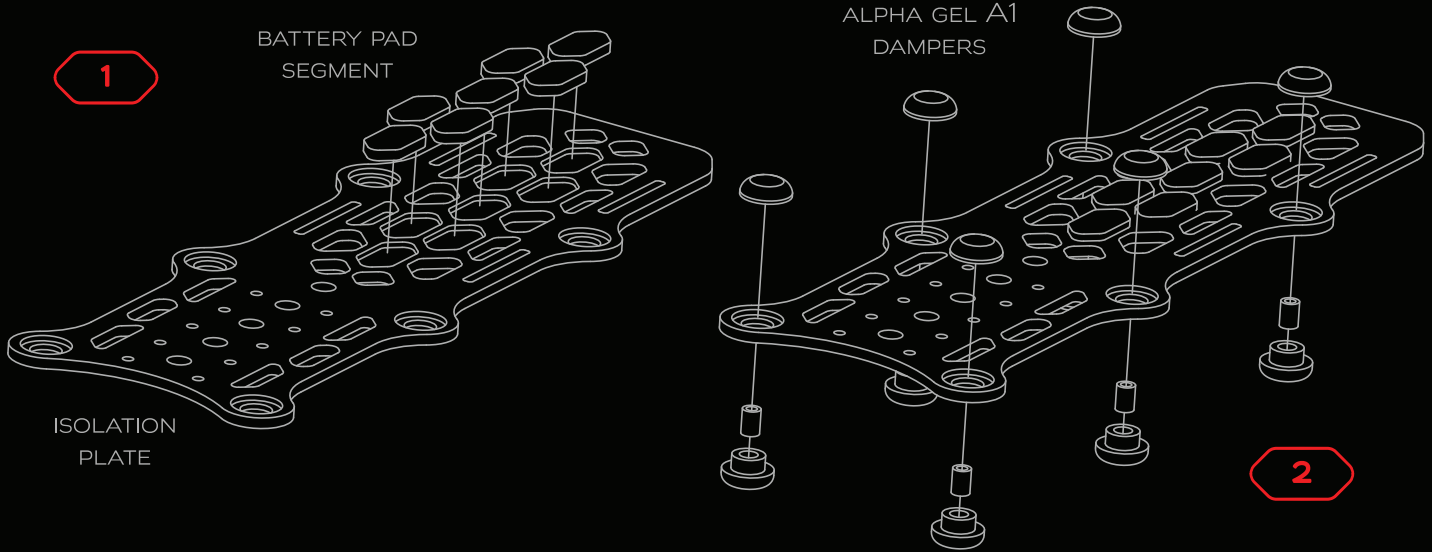


M3 x 14MM  
SCREWS



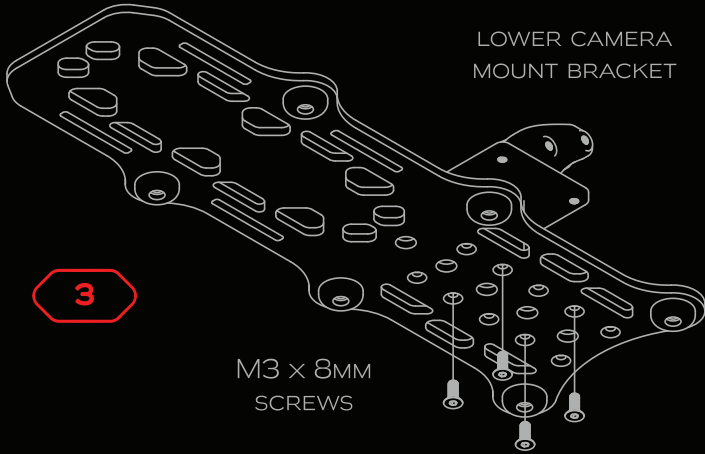
M3 x 8MM  
SCREWS





- 1** PEEL THE PAPER FROM THE ADHESIVE BACKING ON EACH LIPO PAD SEGMENT AND STICK THEM INSIDE THE ENGRAVED POCKETS.
- 2** SEPARATE THE ALPHA GEL AND INSTALL HALVES AS SHOWN, INSERTING THE BRASS COLLAR AFTER THE GEL IS IN PLACE.

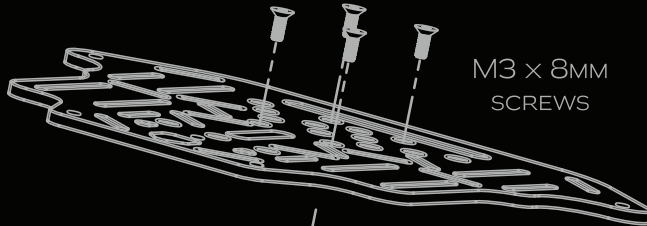
ISOLATION SYSTEM ASSEMBLY



LOWER CAMERA  
MOUNT BRACKET

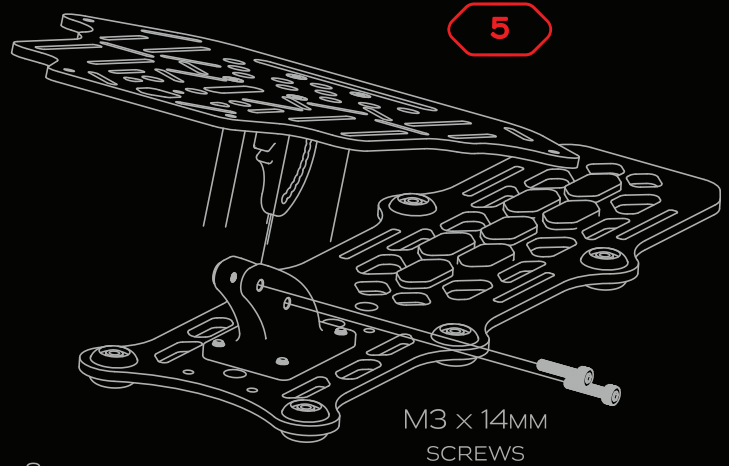
M3 x 8MM  
SCREWS

CINE CAMERA  
PLATE



M3 x 8MM  
SCREWS

UPPER CAMERA  
MOUNT BRACKET

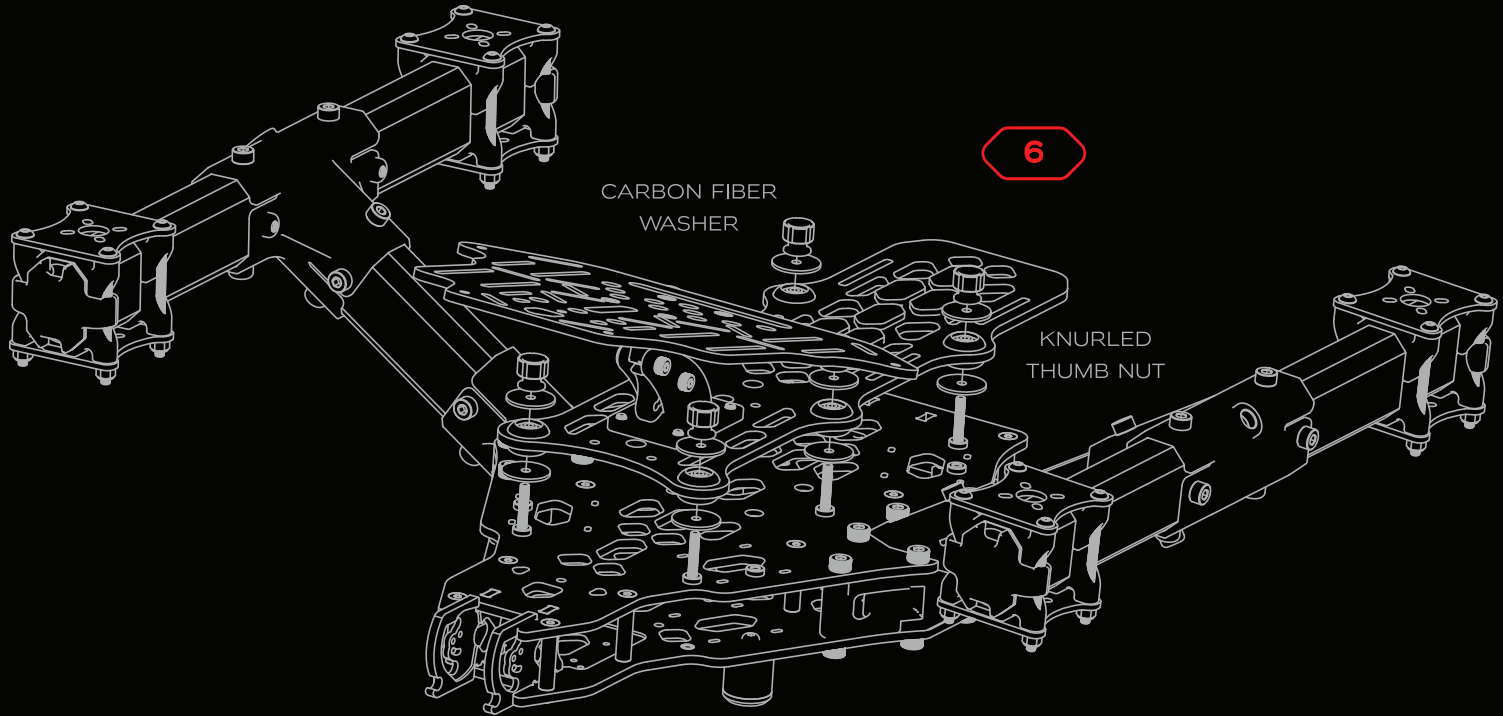


M3 x 14MM  
SCREWS

**3.** Use the M3x8MM COUNTERSUNK SCREWS TO MOUNT THE LOWER CAMERA BRACKET ONTO THE ISOLATION PLATE.

**4.** Use the M3x8MM COUNTERSUNK SCREWS TO MOUNT THE UPPER CAMERA BRACKET TO THE CINEMA CAMERA PLATE.

**5.** INSERT THE TAB OF THE TOP BRACKET INTO THE SLOT IN THE BOTTOM BRACKET, ALIGN THE HOLES AT THE DESIRED ANGLE, AND USE THE M3x14MM SOCKET CAP SCREWS TO SECURE THEM.



6. PLACE A CARBON WASHER ON EACH EXPOSED SCREW ON THE TOP PLATE OF THE BASE ASSEMBLY, THEN ALIGN THE BRASS COLLARS IN THE ALPHA GEL WITH EACH EXPOSED SCREW AND GENTLY PUSH DOWN UNTIL THE ISOLATION ASSEMBLY IS SITTING EVEN. PLACE THE SECOND CARBON WASHER ON TOP, THEN TIGHTEN DOWN THE THUMB NUTS UNTIL THEY ARE SECURE.

SECTION #4

MISCELANEOUS PARTS AND FINAL DETAILS



LUMENIER  
MICRO AXII  
LHCP ANTENNA

CINEMA  
CAMERA

MISCELLANEOUS PARTS AND  
FINAL DETAILS

LUMENIER  
4500MAH / 5200MAH  
6S BATTERY

LUMENIER  
3115 1050KV  
MOTORS

IMMORTAL T ANTENNA  
HORIZONTAL  
ORIENTATION

9 INCH  
PROPELLER

