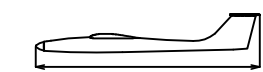


SLASH

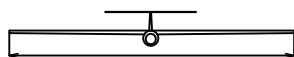
ELECTRO SAILPLANE



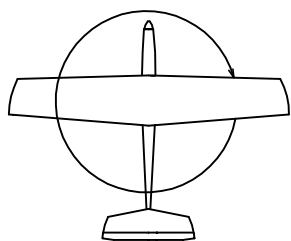
Order N°: 020134



875 mm



1610 mm



20,2 dm²
33,7-37,1 g/dm²

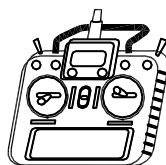


0,68 - 0,75 kg



special

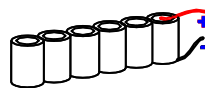
Radio system you'll need :



- ailerons - 2 servos
- elevator
- motor



AXI 2217/12 V2 LONG



3S LiPo 1-1,3 AH

Manufactured by:

TOPMODEL CZ

679 05 HABRŮVKA 100 - CZECH REPUBLIC

www.topmodelcz.com

e-mail: info@topmodelcz.cz

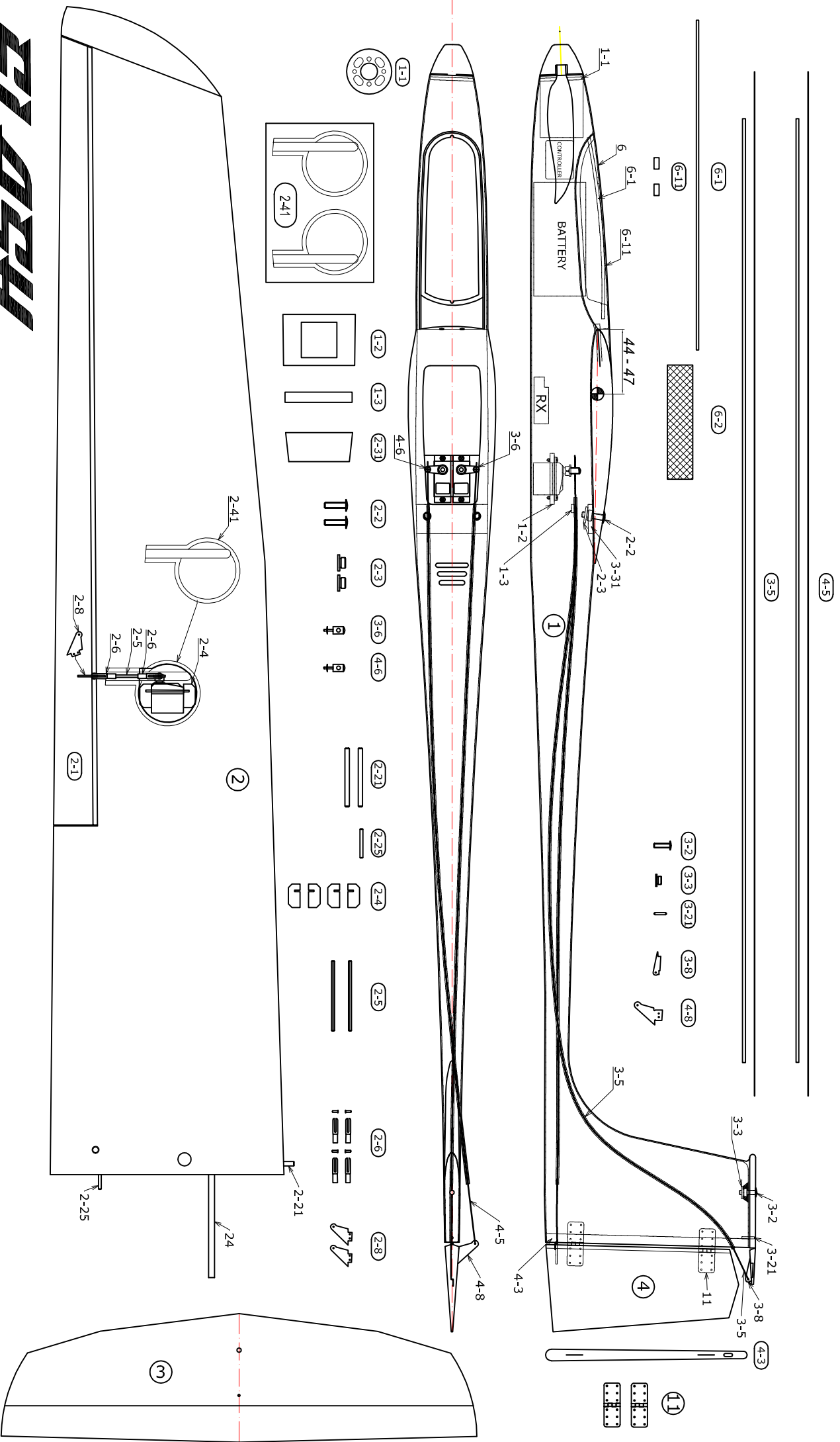
Recommended rudder angles:

Ailerons: up 8 - 10mm, expo 20%
down 4 - 6mm, expo 20%
Elevator: Up 6 - 8mm, expo 25%
down 6 - 8mm, expo 25%
Rudder: 20mm, expo 25%

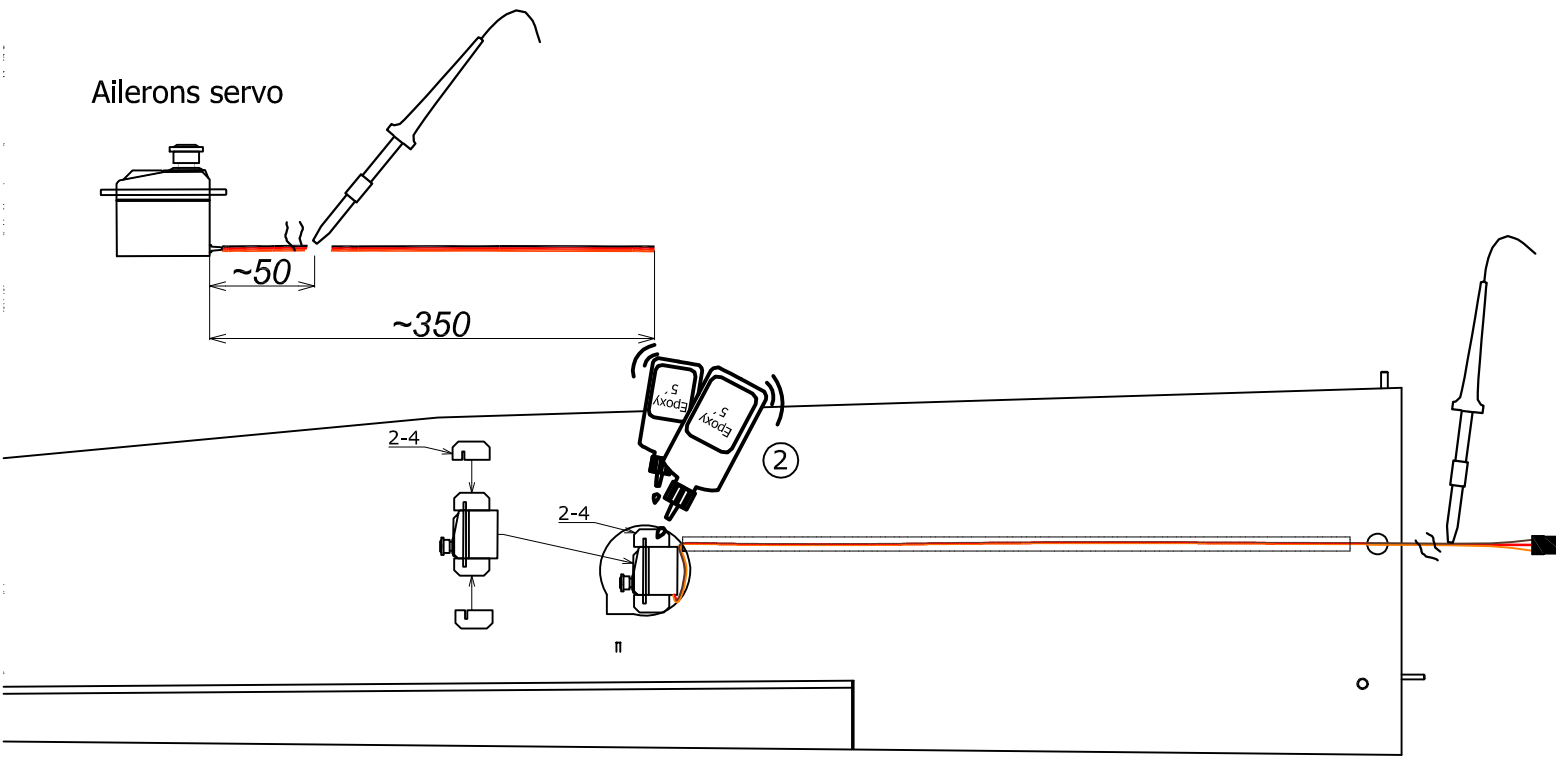
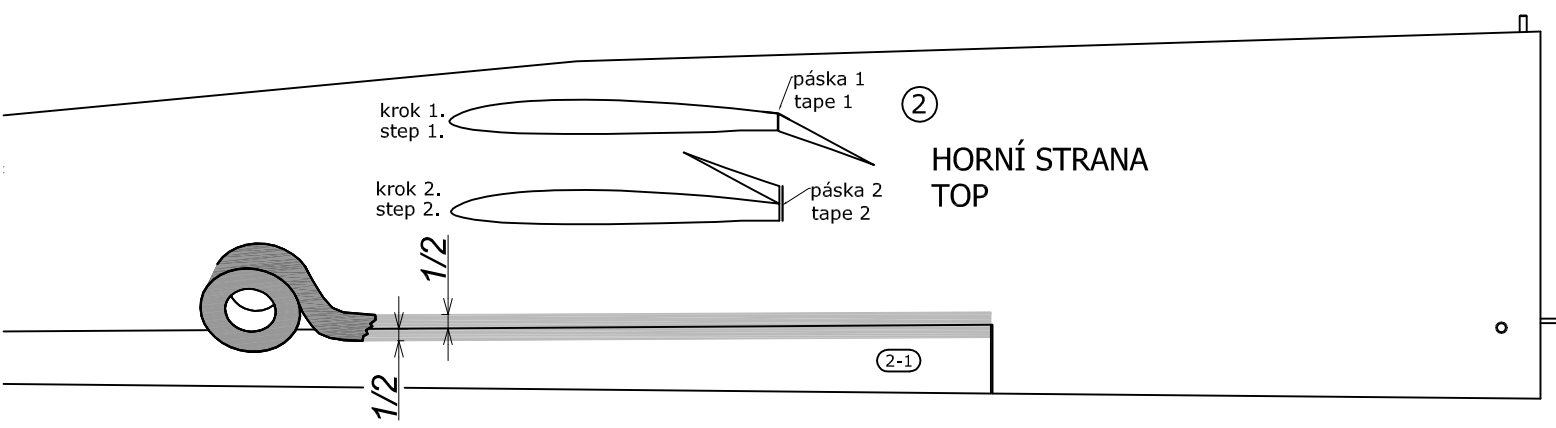
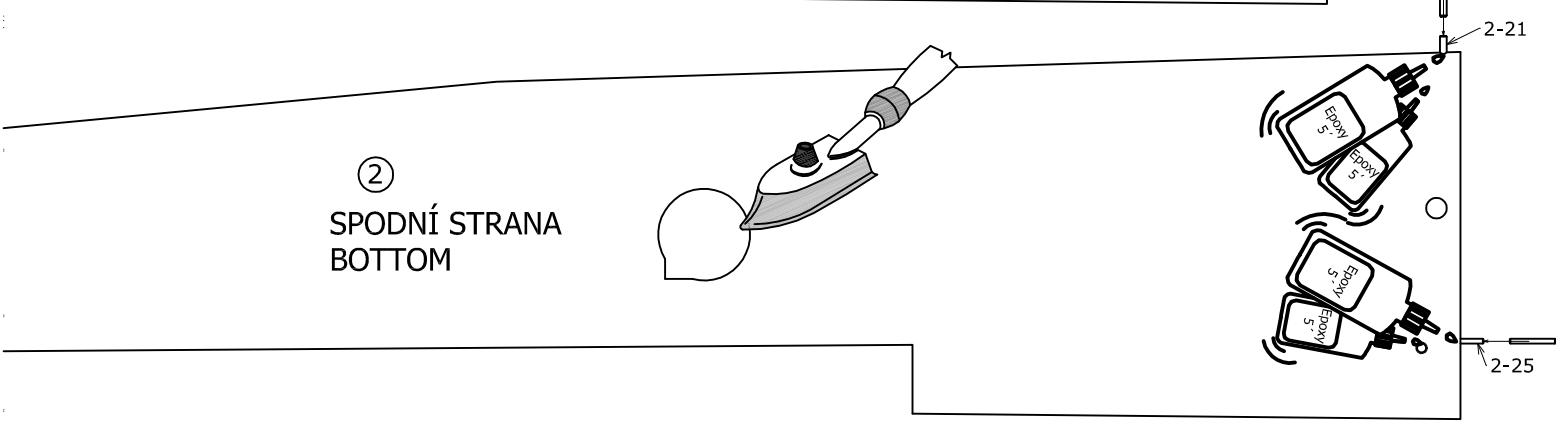
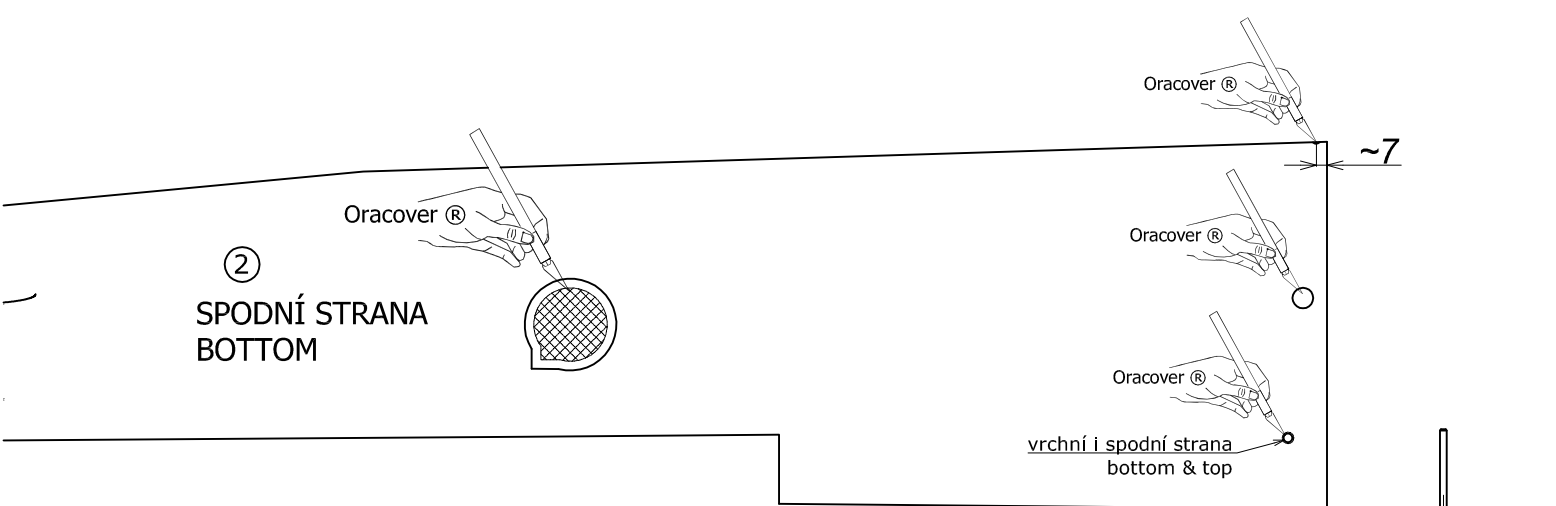
Part #	Part name	Material/dimensions	Loose	In bag	Spare part
	building instruction		01		
1	fuselage	fiberglass	01		020134E-1
1-1	engine mount	fiberglass 2mm		01	02040-1C
1-2	servo tray	plywood 4x35x50mm		01	020134E-1-2
1-3	link support	balsa 4x7x50mm		01	020134E-1-3
2	wing	balsa assembly	02		020134-2ARF 020134-2ARC
2-2	wing fixing screw	plastic M4x20mm		02	1310
2-21	centering pin	fiberglass Ø3x40mm		02	FIBP-3X40
2-25	centering pin	fiberglass Ø2x20mm		01	FIBP-2X20
2-3	nut	Al M4		02	1022 AL
2-31	nut mount	plywood 3x20x46mm		01	020134-2-31
2-4	servo mount	plywood 8x10mm		04	020134-2-4
2-41	wing servo cover	PSH 0,5mm, Ø58mm		02	05018-6
2-5	aileron pushrod	steel M2x45mm		02	zavit2025
2-6	clevis	plastic l-17mm/pin 1mm		04	2100
2-8	aileron horn	fiberglass plate 1mm		02	020134-2-8
24	wing joiner	steel Ø4x240mm		01	020134-24
3	horizontal stabilizer	balsa	01		020134-3ARF 020134-3ARC
3-2	elevator fixing screw	plastic M3x15mm		01	1301
3-21	elevator centering pin	fiberglass Ø1,5x8mm		01	FIBP-1,5x8
3-3	elevator nut	Al M3		01	1004 AL
3-5	elevator link	plastic Ø2mm steel Ø0,8mm	01+01		SET2108
3-6	threaded link	brass for Ø1mm		01	2764 BR
3-8	elevator horn	fiberglass plate 1mm		01	020134-3-8
4	fin	balsa assembly	01		020134-4ARF 020134-4ARC
4-3	closing strip	balsa 6mm		01	020134-4-3
4-5	elevator link	plastic Ø2mm steel Ø0,8mm	01+01		SET2108
4-6	threaded link	brass for Ø1mm		01	2764 BR
4-8	rudder horn	fiberglass plate 1mm		01	020134-4-8
6	canopy	fiberglass	01		020134-6
6-1	canopy fixing	fiberglass Ø2x127mm		01	FIBP-2x127
6-11	mount	plywood 1x6x12mm		02	PL-1612
6-2	fiberglass textile	20x45mm		01	FBT-201000
7	stickers		01		020134-7
11	pinned hinge	plastic 11x28mm		02	2500
SA	spring	steel 0,8+shrink tube		01+01	020SA2217

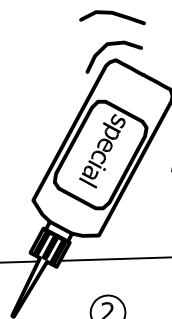
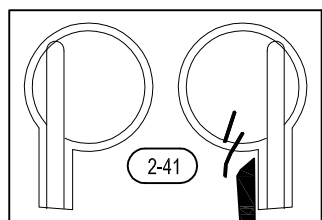
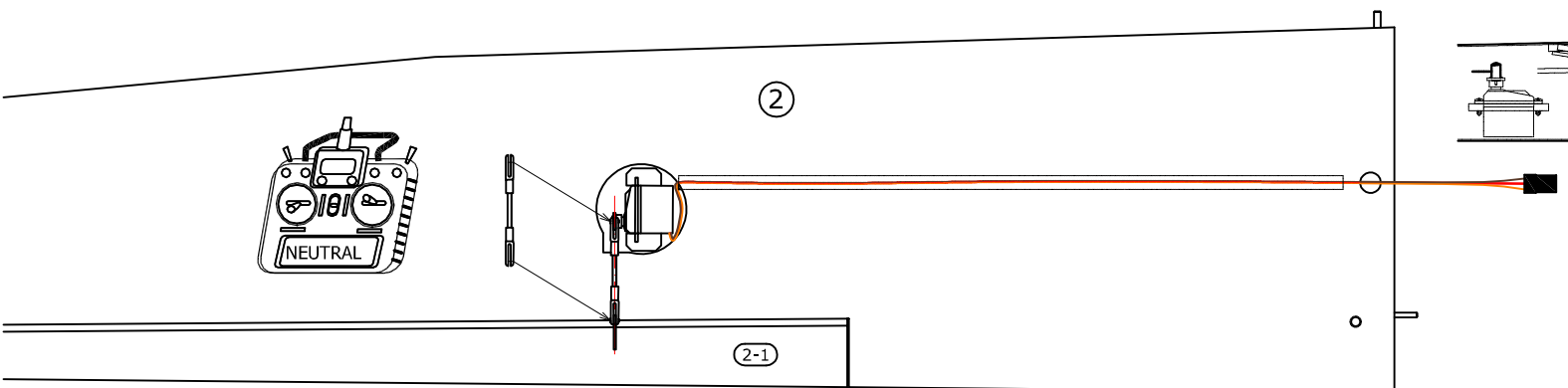
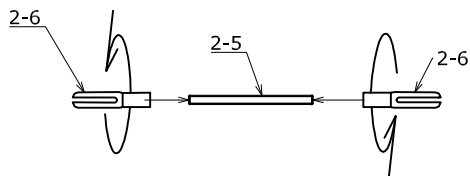
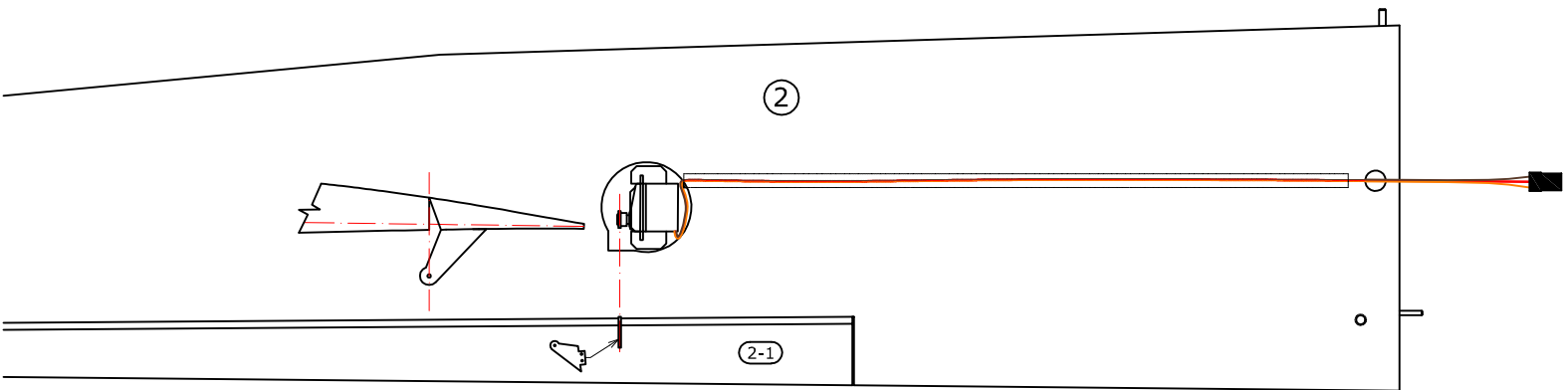
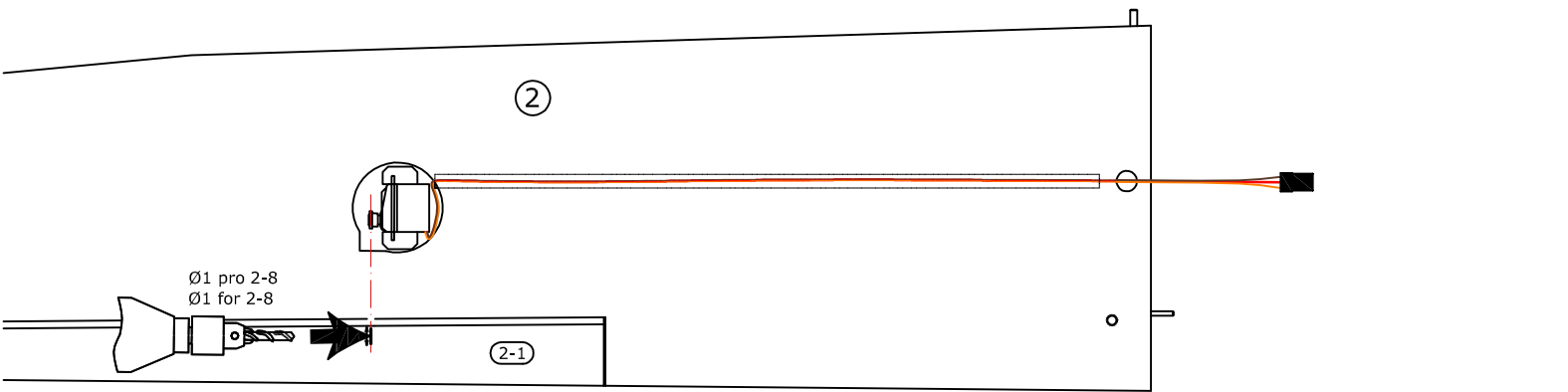
Recommended equipment

		Pieces		Item No. www.topmodelcz.cz
transmitter				
receiver	5 channel			
servo	Servo ES 08 MD II	4		3531
motor	AXI 2217/12 V2 LONG	1		3EL105615V2L
controller	Xcontroller XC45LITE	1		1834
spinner	PROFI TURBO 30/3,17/8			02030328TZ
propeller	CAMcarbon 8/6"	1		723417
battery	LiPo 3S 1 - 1,3Ah	1		

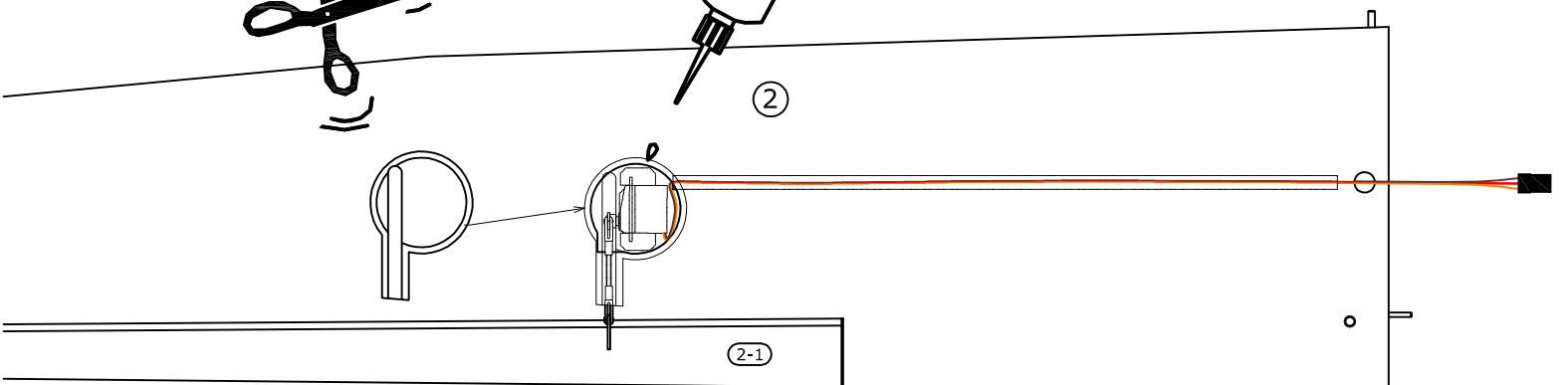


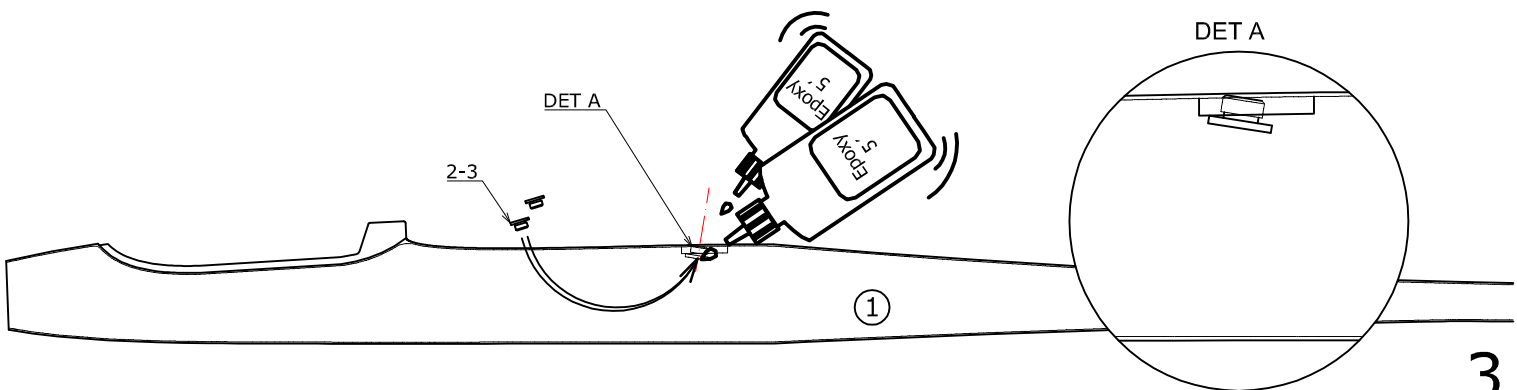
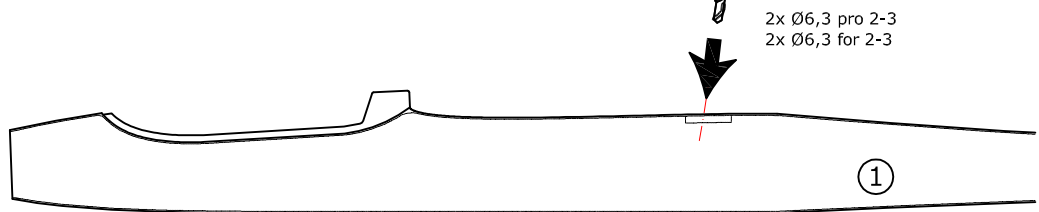
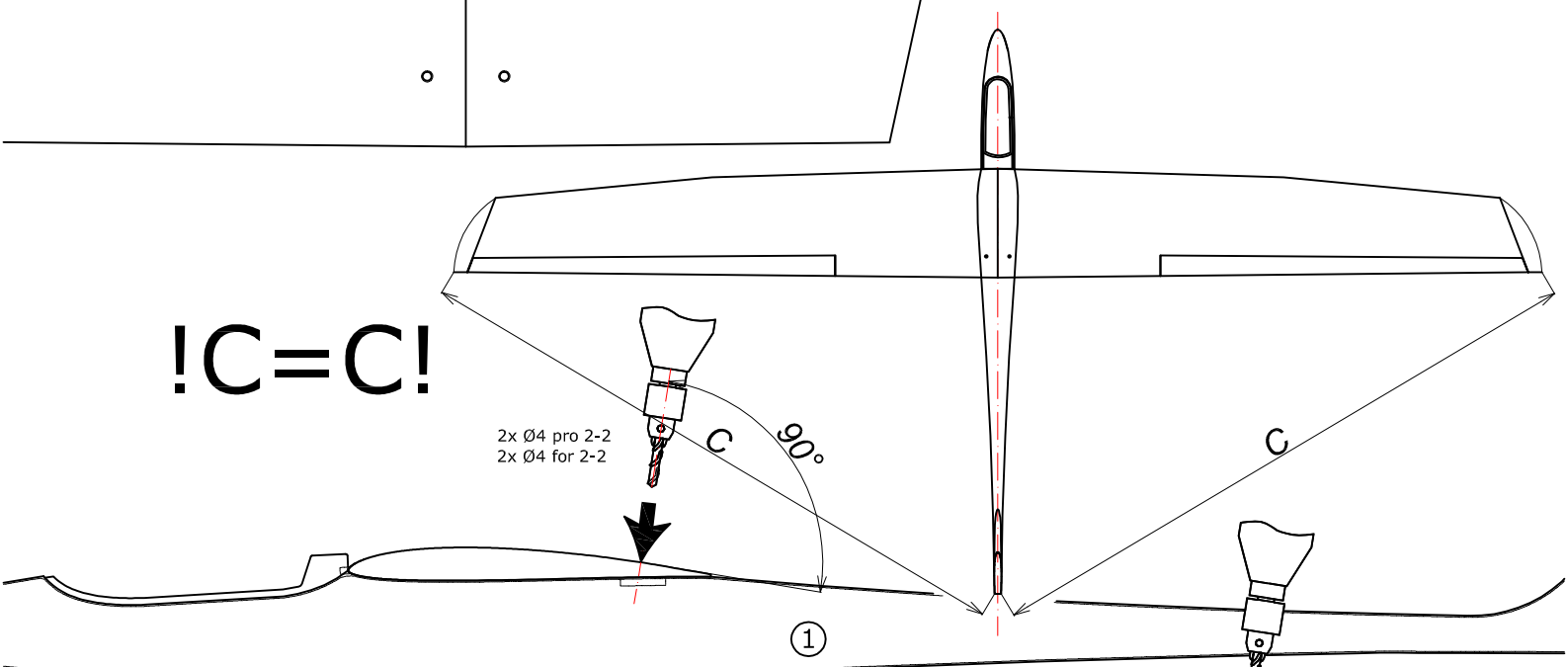
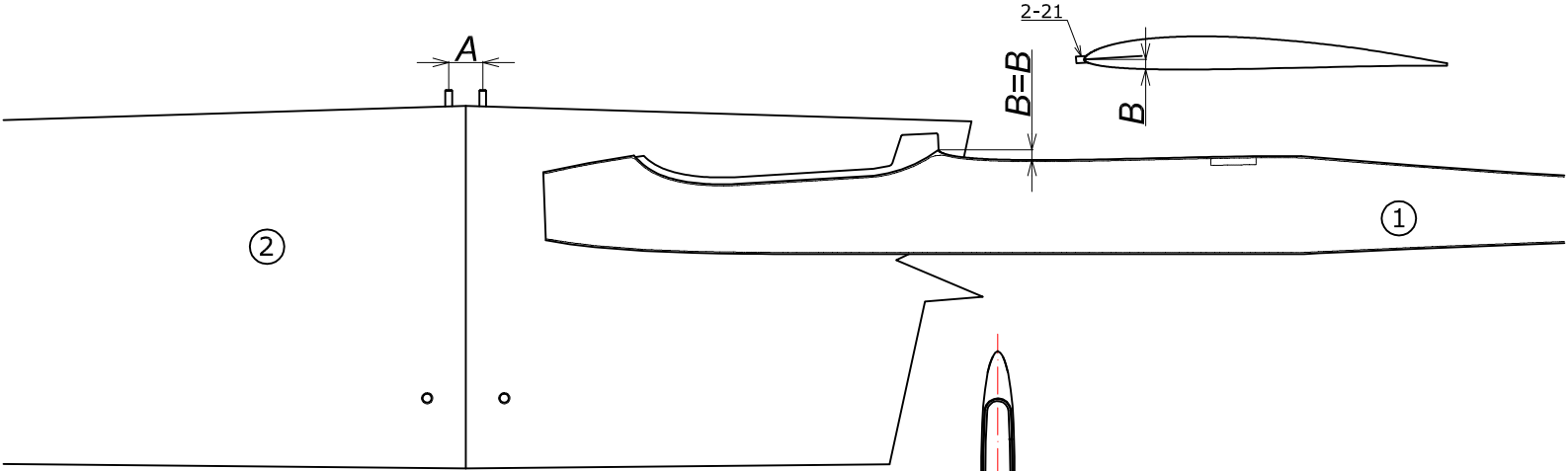
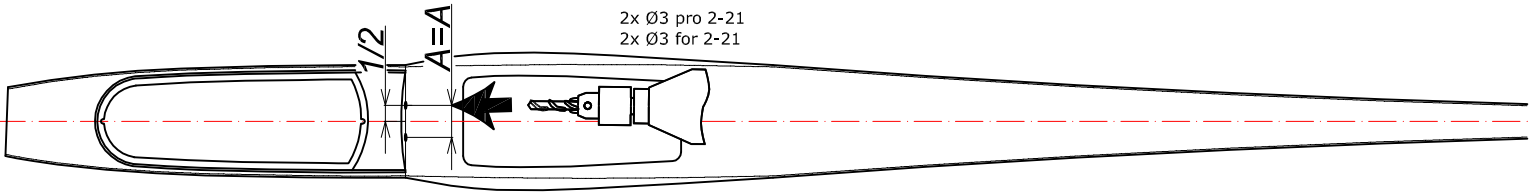
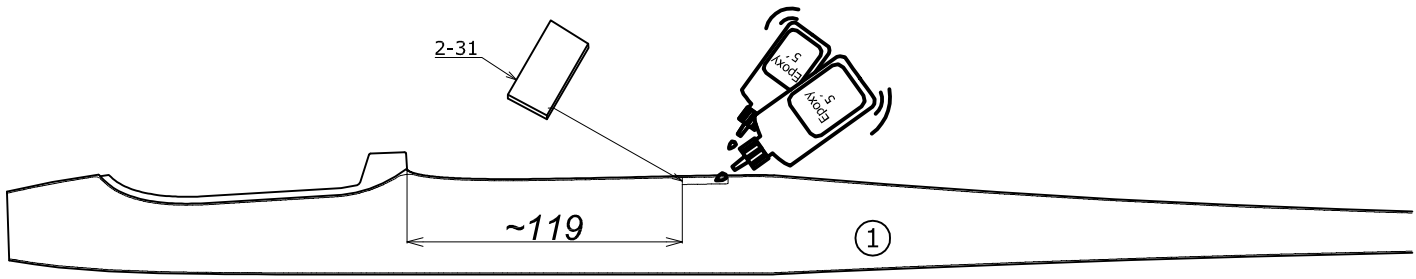
© TOPMODEL CZ Manufactured by TOPMODEL CZ s.r.o. 679 05 HABRŮVKA 100 - made in Czech Republic - www.topmodelcz.com - e-mail: info@topmodelcz.cz

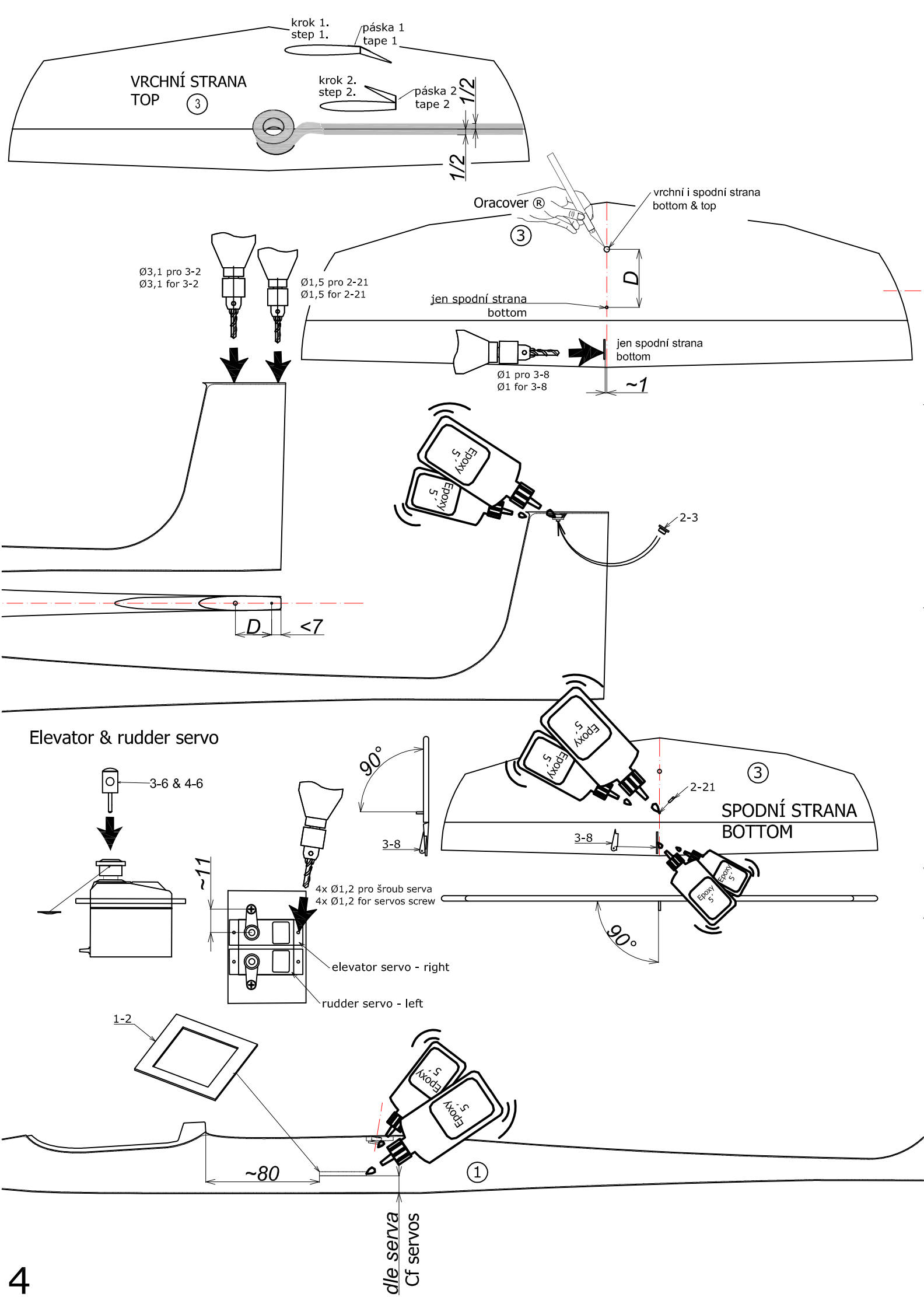


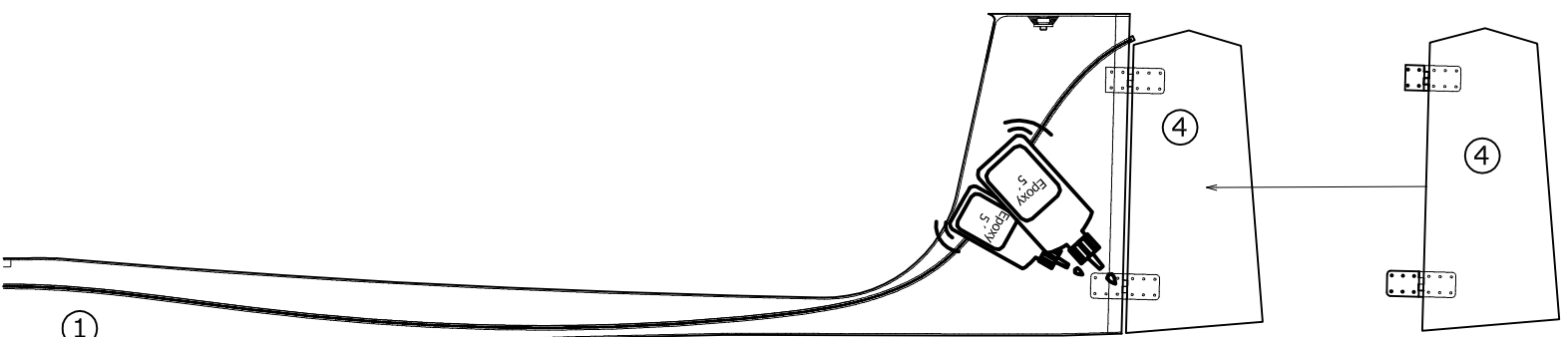
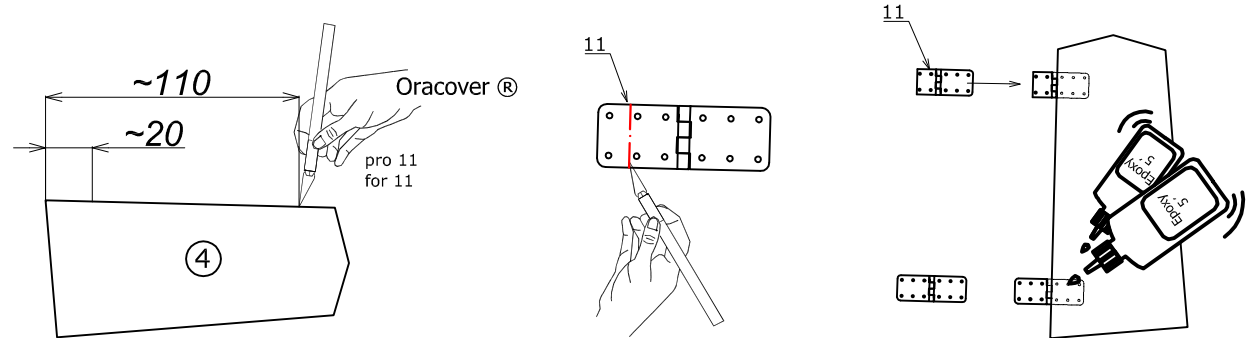
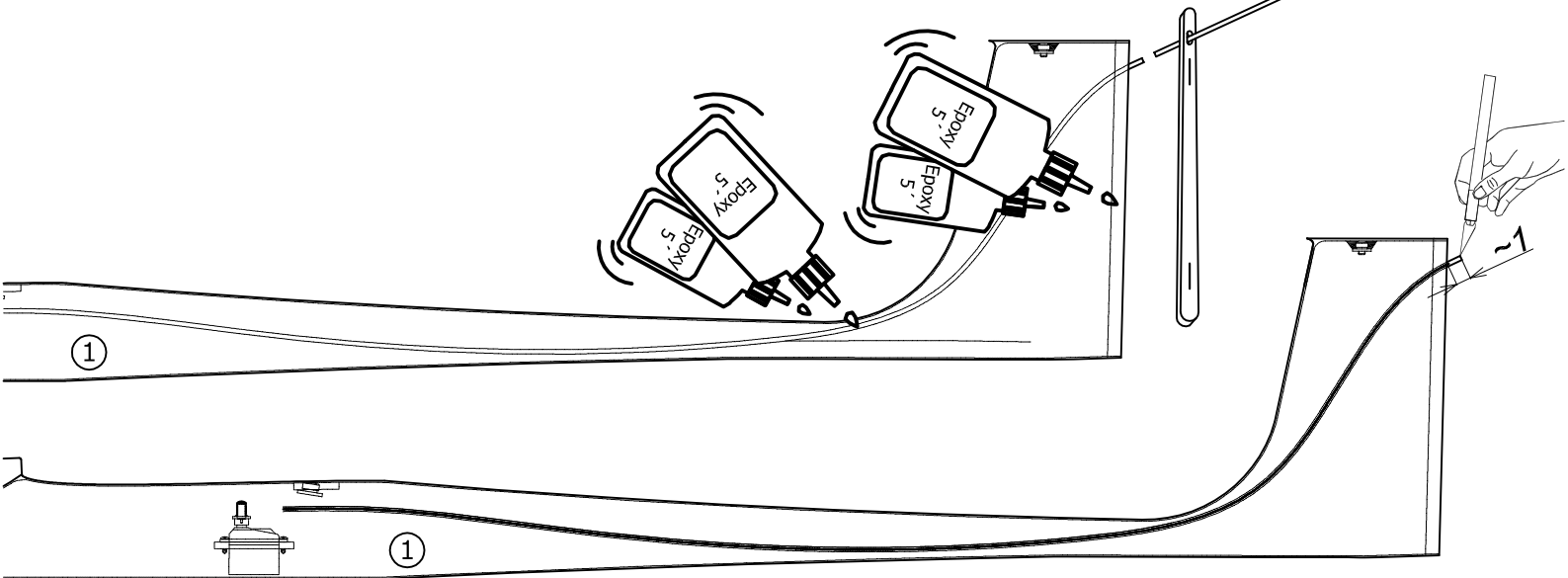
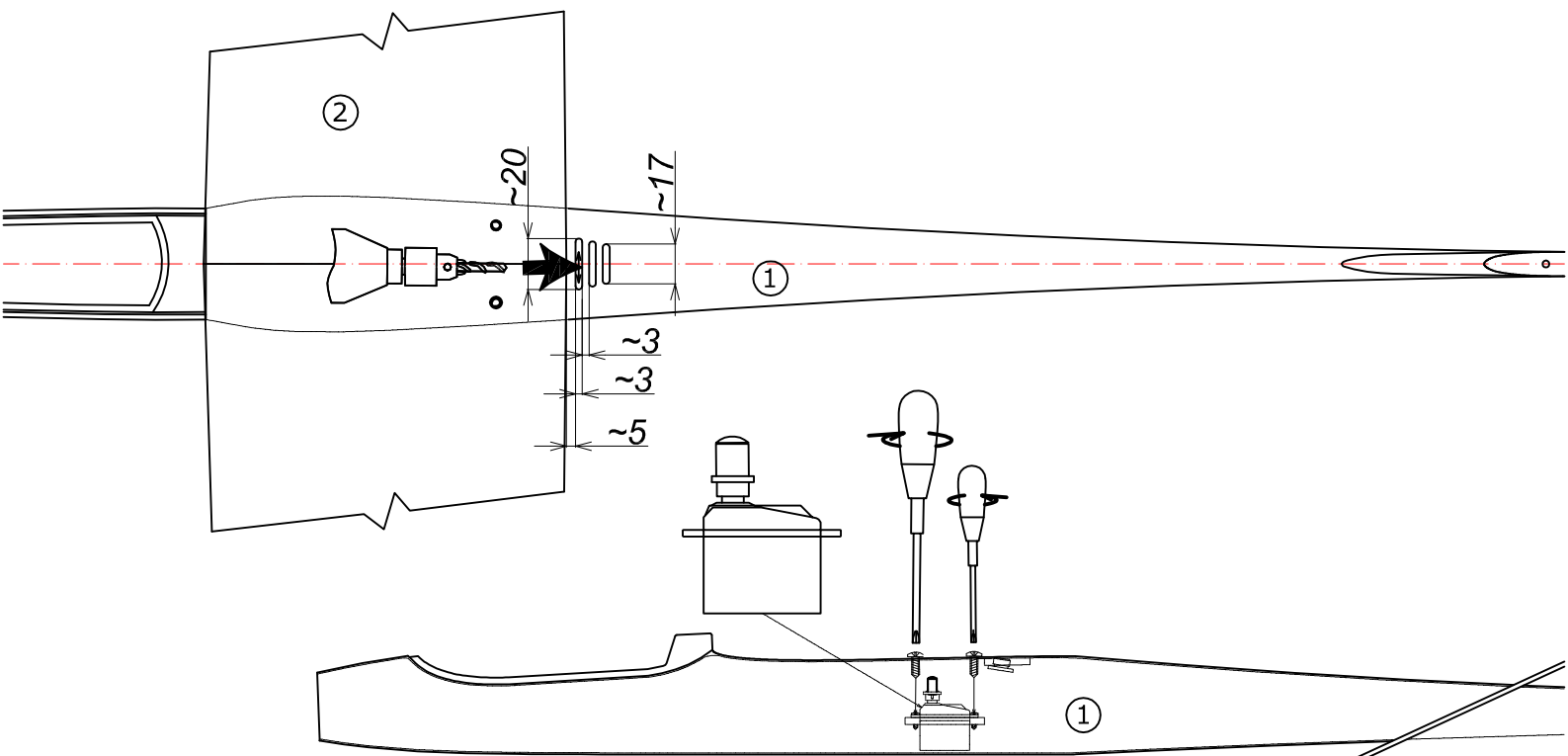


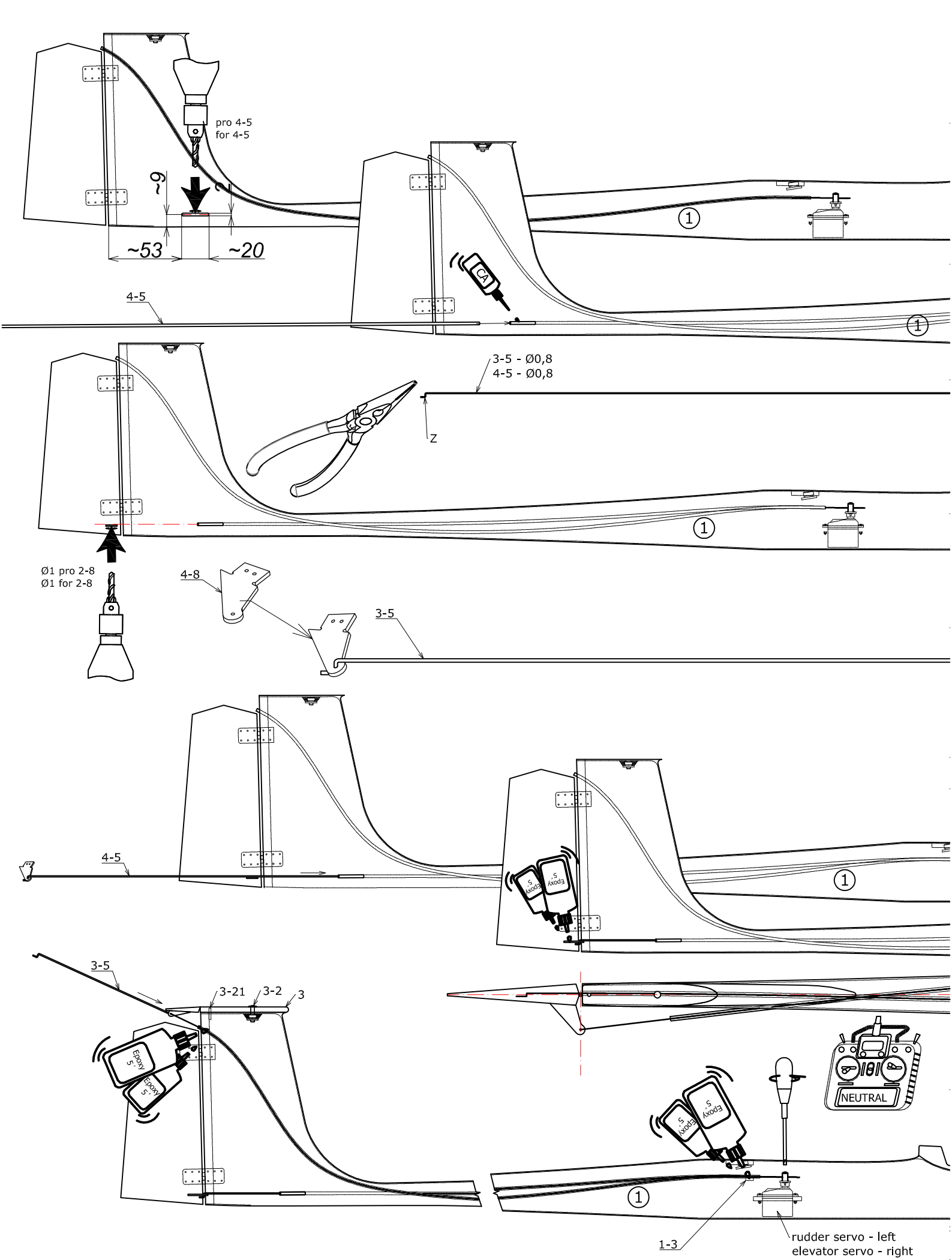
kontaktní lepidlo (Chemopren)
Contact adhesive (UHU Por)



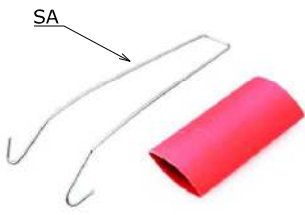








System preventing the contact of cables with the rotating casing of the motor (for AXI 2217 / ...) Systém zamezující styk kabelů s rotačním pláštěm motoru (pro AXI 2217/...)



Vsuňte pružinku do motoru.
Insert the spring into the motor.



Zahákniěte konce pružinky.
Hook the ends of the spring.



Nasuňte bužírku na pružinku s kabely a horkovzdušnou pistolí smrštěte.
Slide the tube onto the spring with the cables and shrink with a hot air gun.

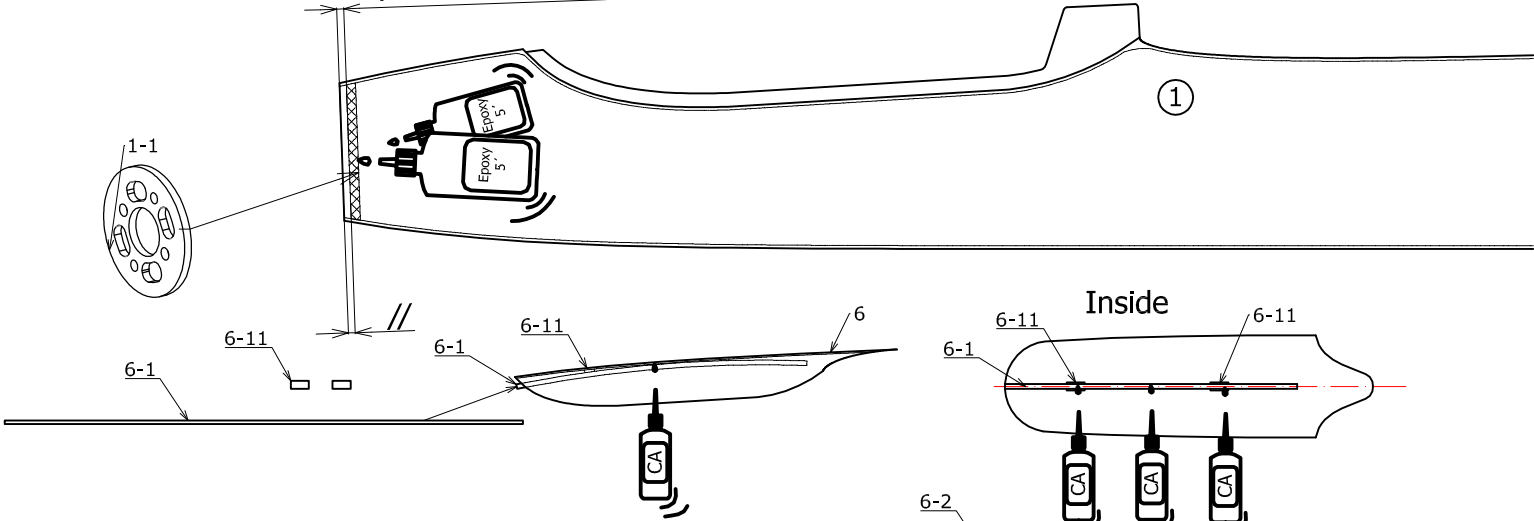


Takto to má vypadat. Pružinka odtlačuje kabely od rotačního pláště motoru a zamezuje jejich prodrění.
This is what it should look like. The spring pushes the cables away from the rotating casing and prevents them from abrasion.

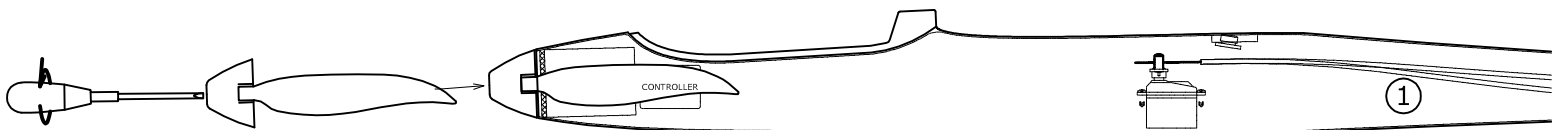
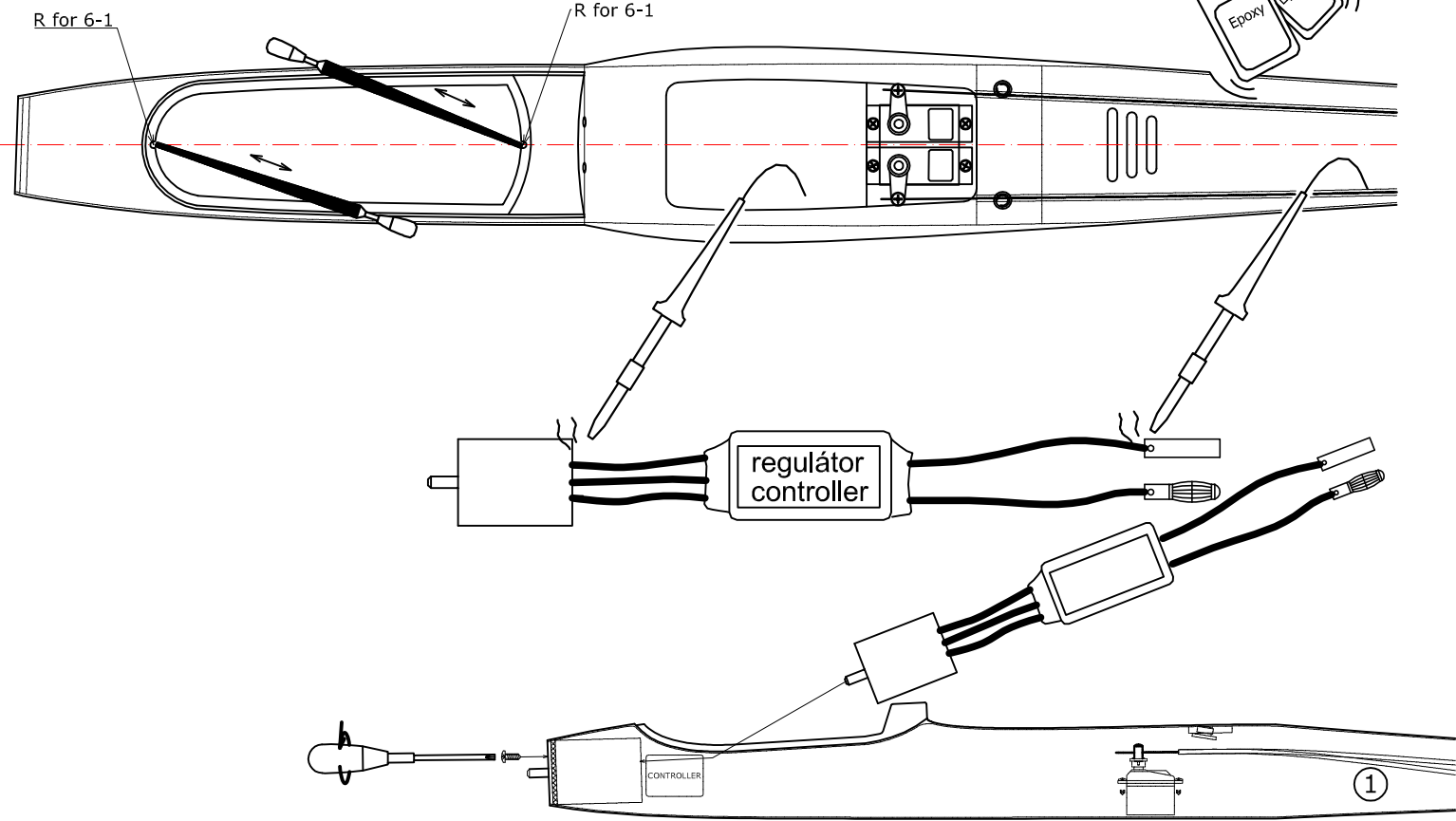


Pro snadné vsunutí motoru do trupu si pomozte dvěma kousky závitové tyče.
Help with two pieces of threaded rods for easy insertion of the motor into the fuselage.

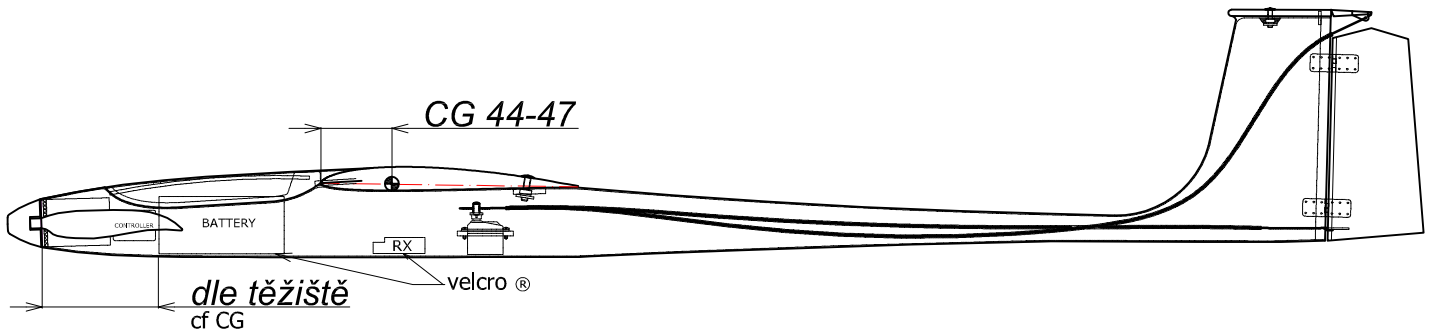
1-1 inside ~1,5



Inside



CG 44-47



dle těžiště
cf CG