

Radio control model / Flugmodell

HORNET EDF



VQ No: VQEDF01 / VQEDF02 / VQEDF03

ALL Balsa, PLYWOOD CONSTRUCTION AND ALMOST READY TO FLY

Instruction manual / Montageanleitung

SPECIFICATIONS

Wingspan:.....1400mm
Length:.....1290mm
EDF (See next pager)
RTF Weight: 2.3Kg - 2.4Kg
Radio:.....6 Channel / 6 Servos
Function: Ailerons-Elevator-Rudder-Flap

TECHNISCHE DATEN

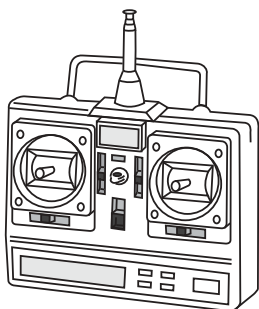
Spannweite:.....1400mm
Länge:.....1290mm
EDF.....(siehe nächste Seite)
Fluggewicht:.....2.3Kg - 2.4Kg
Fernsteuerung.....6 Kanal / 6 Servos



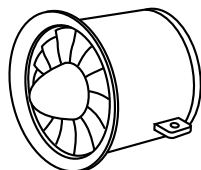
WARNING! This radio controlled model is NOT a toy. If modified or flown carelessly it could go out of control and cause serious human injury or property damage. Before flying your airplane, ensure the air field is spacious enough. Always fly it outdoors in safe areas and seek professional advice if you are unexperienced.

ACHTUNG! Dieses ferngesteuerte Modell ist KEIN Spielzeug! Es ist für fortgeschrittene Modellflugpiloten bestimmt, die ausreichende Erfahrung im Umgang mit derartigen Modellen besitzen. Bei unsachgemäßer Verwendung kann hoher Personen- und/oder Sachschaden entstehen. Fragen Sie in einem Modellbauverein in Ihrer Nähe um professionelle Unterstützung, wenn Sie Hilfe im Bau und Betrieb benötigen. Der Zusammenbau dieses Modells ist durch die vielen Abbildungen selbsterklärend und ist für fortgeschrittene, erfahrene Modellbauer bestimmt.

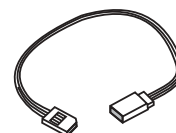
REQUIRED FOR OPERATION (Purchase separately)



Mini Servo
 Minimum 6 channels radio
 7 Channels with option E-retract
 Elevator : 1 mini servo
 Aileron: 2 mini servo
 Flaps: 2 mini servo
 Nose gear: 1 mini servo



EDF 70mm - 2750Kw

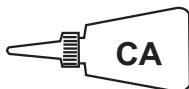


Extension cord for aileron servos: 50cm(x2)
 Extension cord for flap servos: 50cm(x4)
 Extension cord for retract servos: 30cm(x2)
 Extension cord for Rx battery pack: 20cm(x1)



14.8v - 4500mAh LiPo battery

GLUE (Purchase separately)



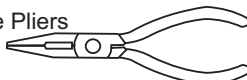
Cyanoacrylate Glue (thin type)




Epoxy Glue (30 minute type)

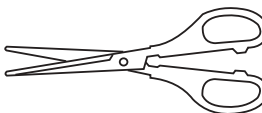
TOLLS REQUIRED (Purchase separately)

Hobby knife 

Needle nose Pliers 

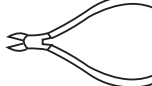
Sander 

Phillip screw driver 

Scissors 

Hex Wrench 

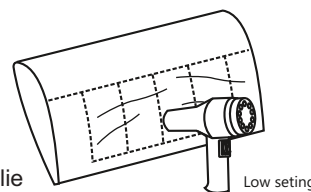
Awl 

Wire Cutters 

Masking tape - Straight Edged Ruler - Pen or pencil - Drill and Assorted Drill Bits

If exposed to direct sunlight and/or heat, wrinkles can appear. Storing the model in a cool place will let the wrinkles disappear. Otherwise, remove wrinkles in covering film with a hair dryer, starting with low temperature. You can fix the corners by using a hot iron.

Bei Sonneneinstrahlung und/oder Wärme kann die Folie erschlaffen bzw. Falten entstehen. Verwenden Sie ein Warmluftgebläse (Haartrockner) um evtl. Falten aus der Folie zu bekommen. Die Kanten können Sie mit einem Bügeleisen behandeln. Nicht zuviel Hitze anwenden!



Low setting

Symbols used throughout this instruction manual, comprise:

 Drill holes using the stated size of drill (in this case 1.5 mm)	 Take particular care here	 Hatched-in areas: remove covering film carefully	 Check during assembly that these parts move freely, without binding
 Use epoxy glue	 Apply cyano glue	 Assemble left and right sides the same way.	 Not included. These parts must be purchased separately

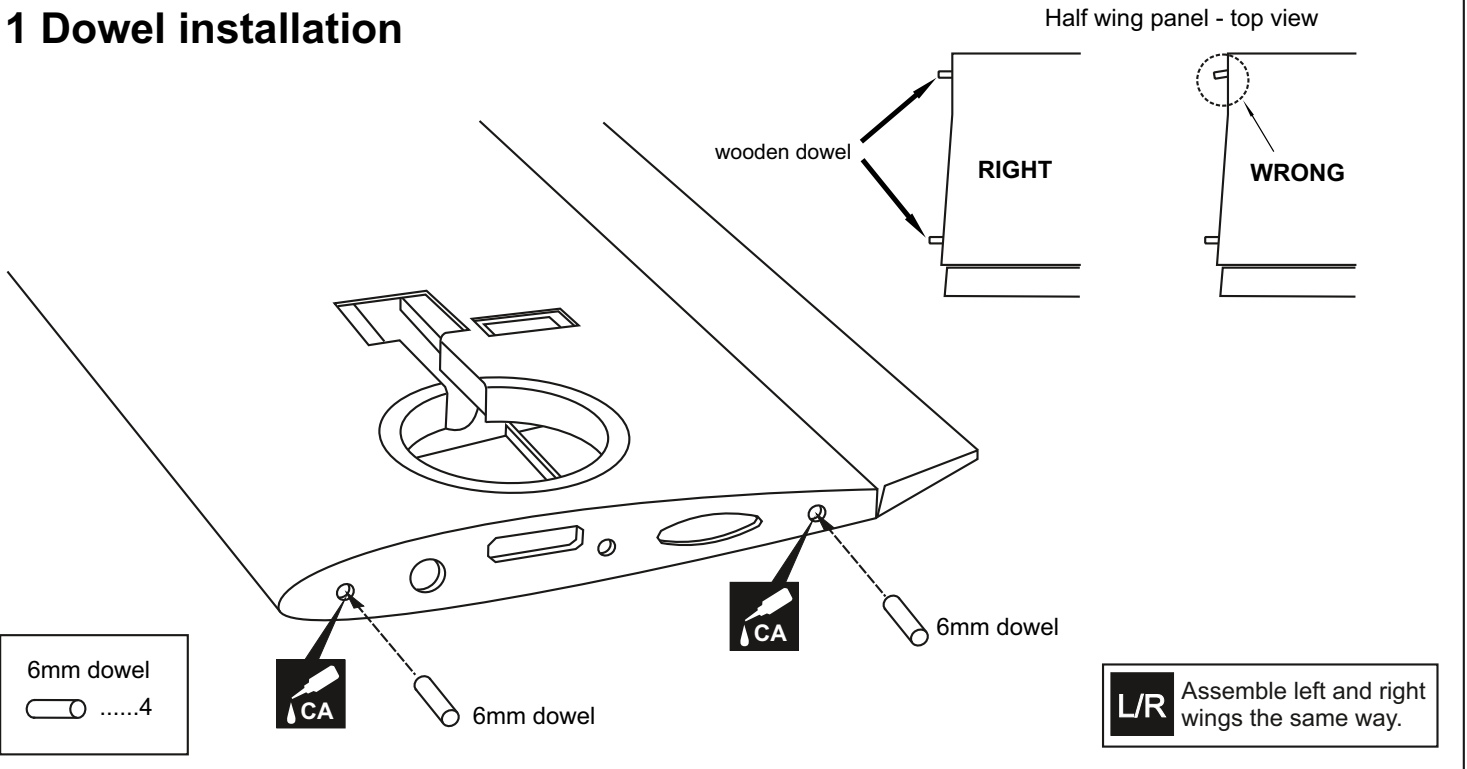
 Löcher bohren mit dem angegebenen Bohrer (hier 1,5 mm)	 Hier besonders aufpassen	 Schraffierte Stellen, Bespannfolie vorsichtig entfernen	 Während des Zusammenbaus immer prüfen, ob sich die Teile auch reibungslos bewegen lassen
 Epoxy-Klebstoff verwenden	 Sekundenkleber auftragen	 Linke und rechte Seite wird gleichermaßen zusammengebaut	 Nicht enthalten. Teile müssen separat gekauft werden.

Read through the manual before you begin, so you will have an overall idea of what to do.

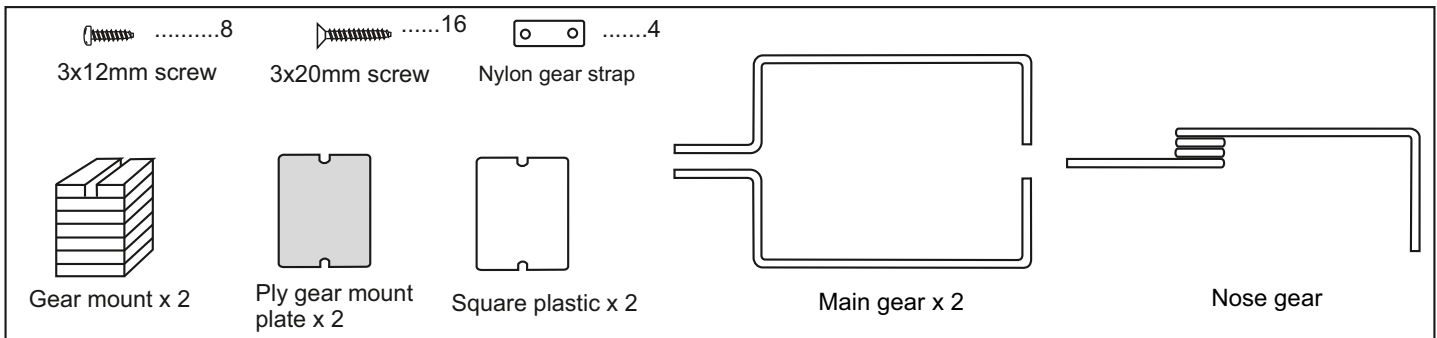
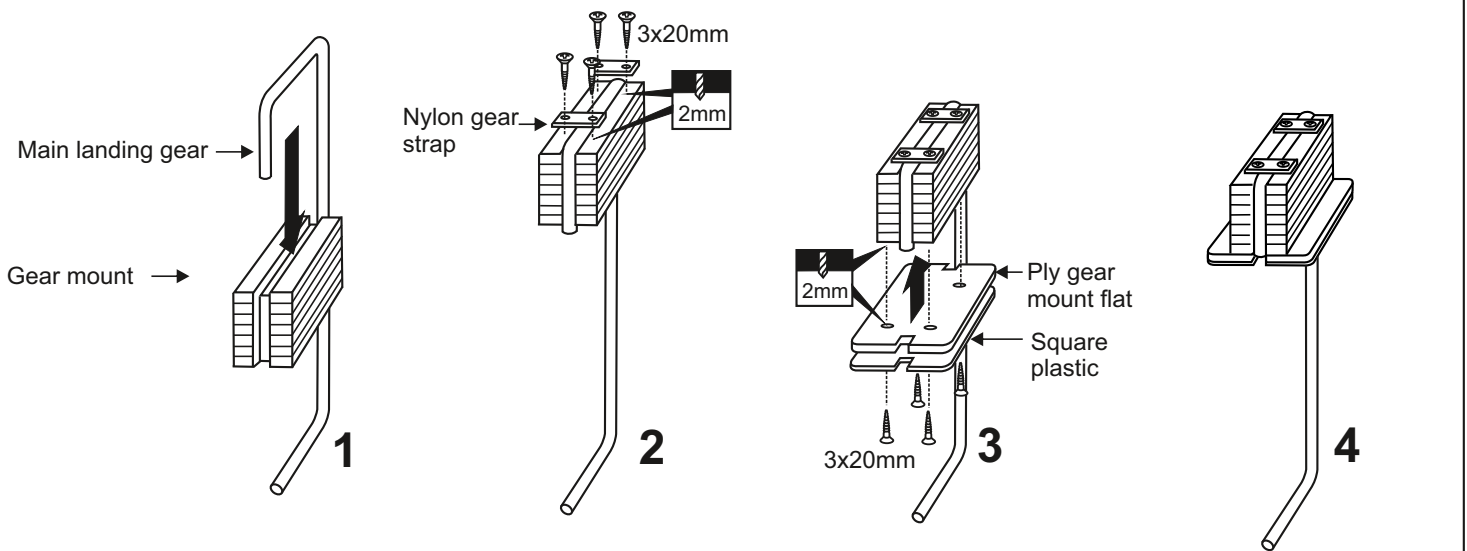
CONVERSION TABLE

1.0mm = 3/64"	3.0mm = 1/8"	10mm = 13/32"	25mm = 1"
1.5mm = 1/16"	4.0mm = 5/32"	12mm = 15/32"	30mm = 1-3/16"
2.0mm = 5/64"	5.0mm = 13/64"	15mm = 19/32"	45mm = 1-51/64"
2.5mm = 3/32"	6.0mm = 15/64"	20mm = 51/64"	

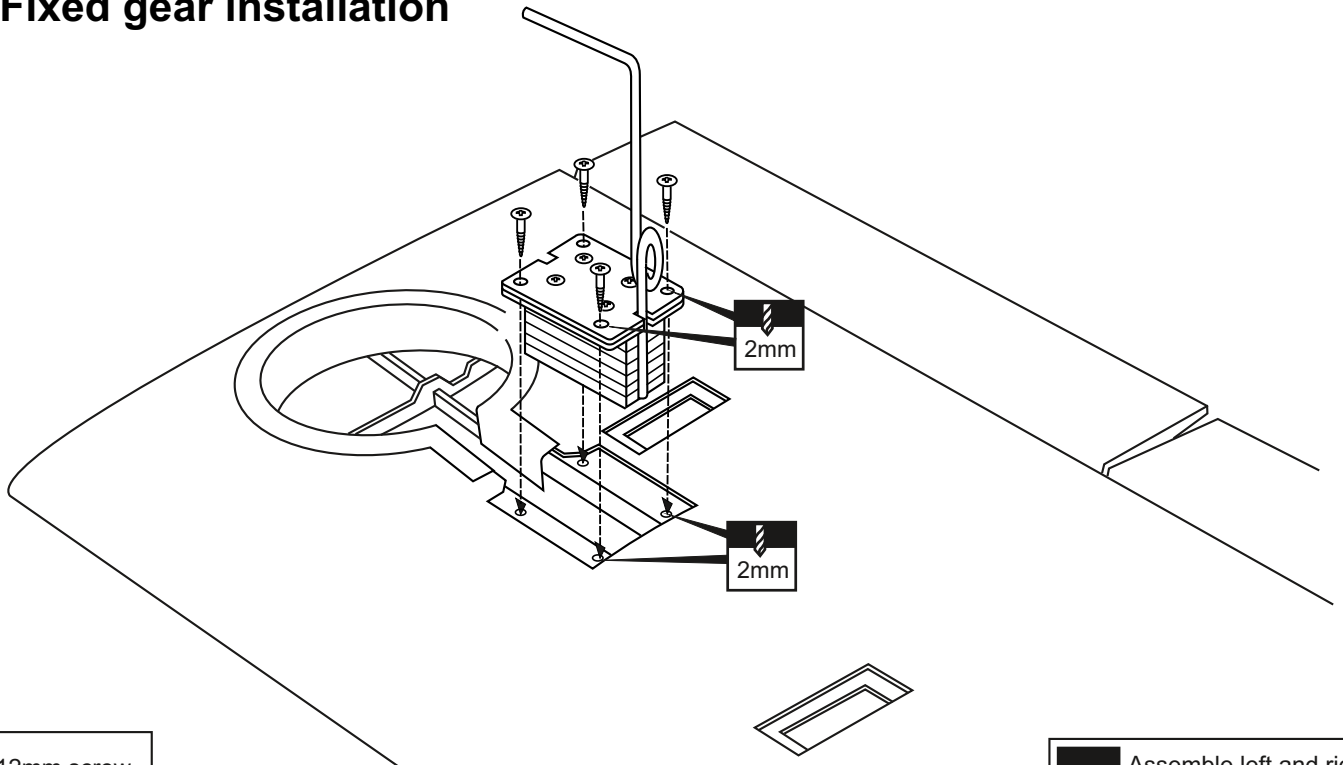
1 Dowel installation




2 Fixed gear assemble



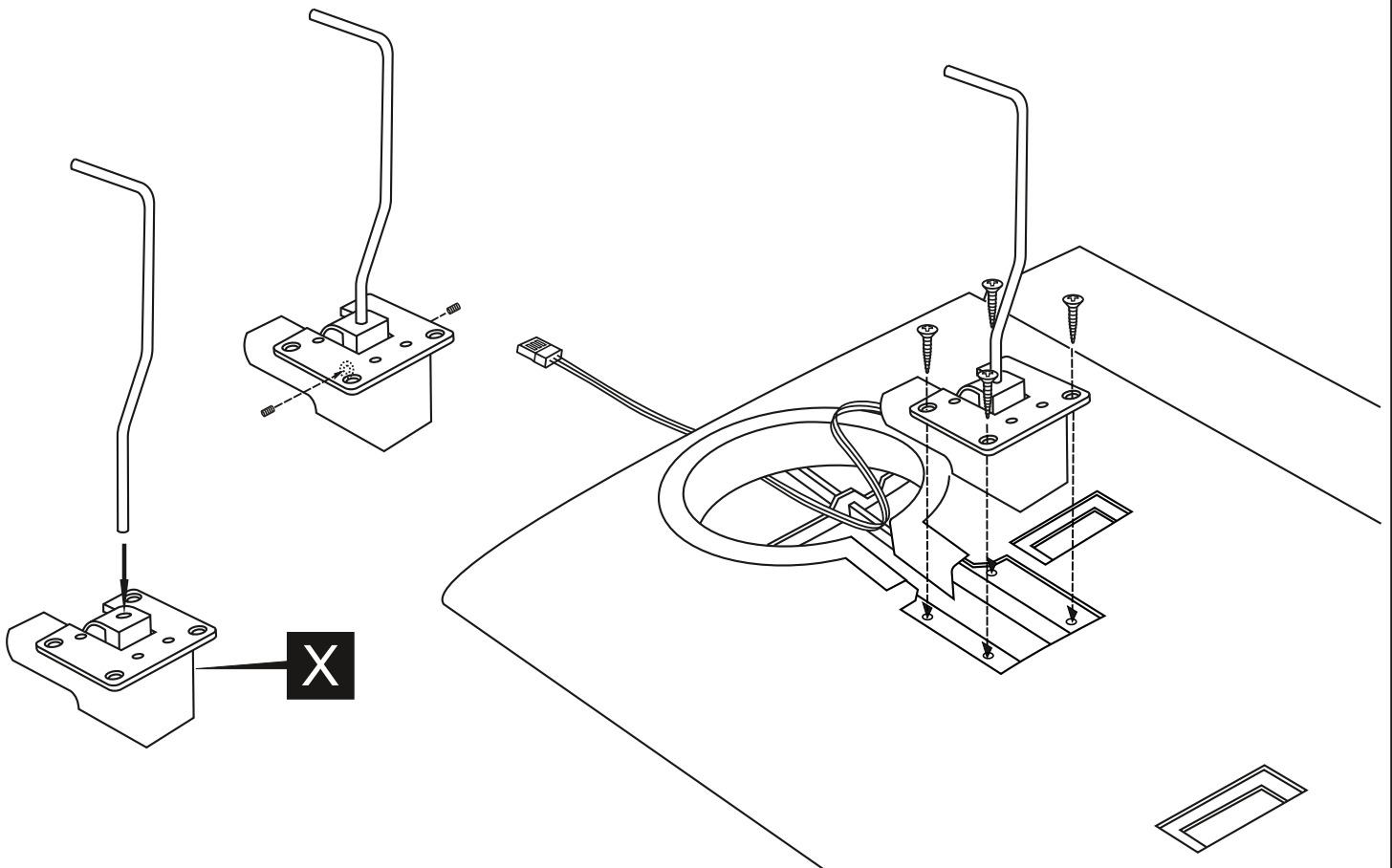
3 Fixed gear installation



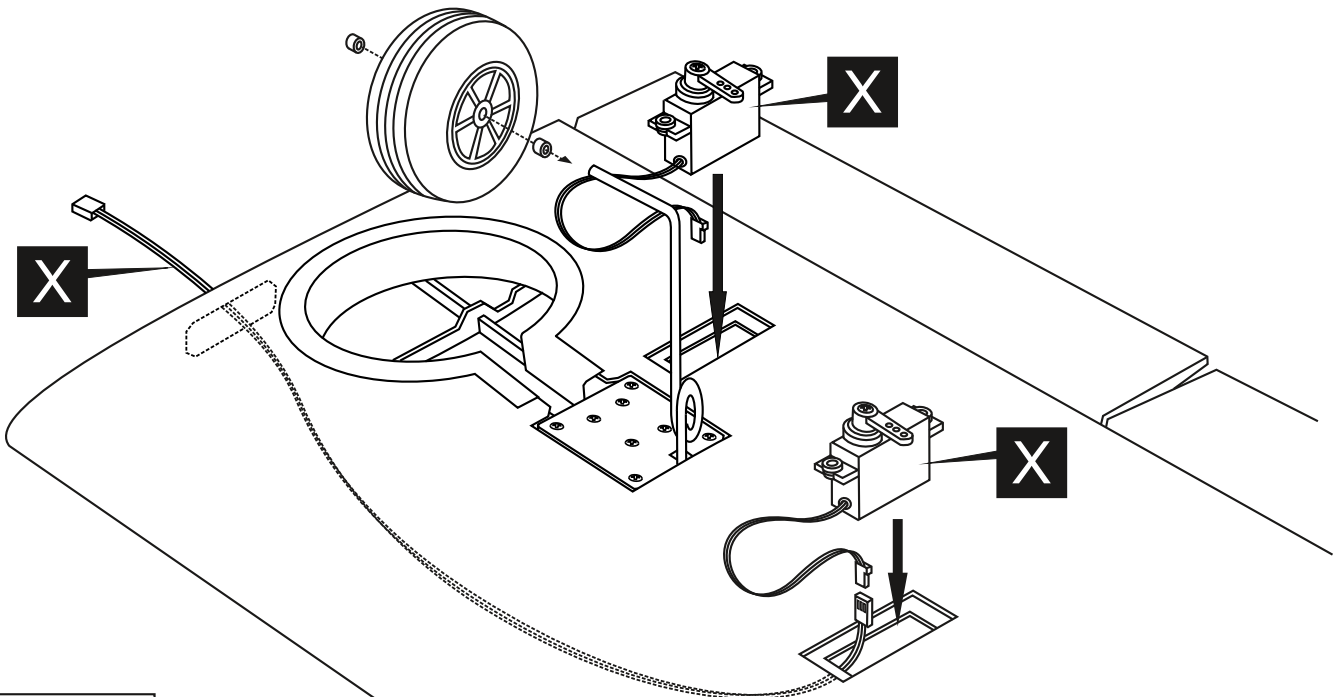
3x12mm screw
8


L/R Assemble left and right wings the same way.

4 E-retract installation



5 E-retract installation

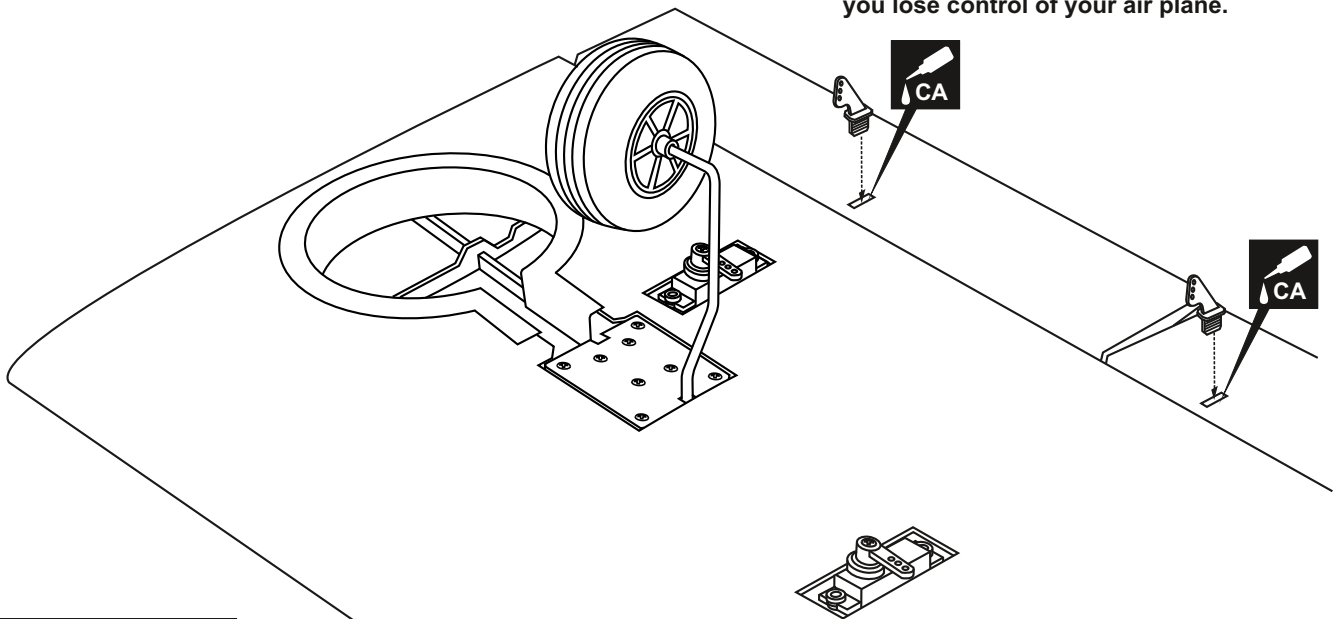


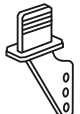
4mm collar
4

L/R Assemble left and right wings the same way.

6 Control horn installation

! Securely glue together. If coming off during fly, you lose control of your air plane.

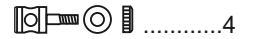


Plastic control horn
2

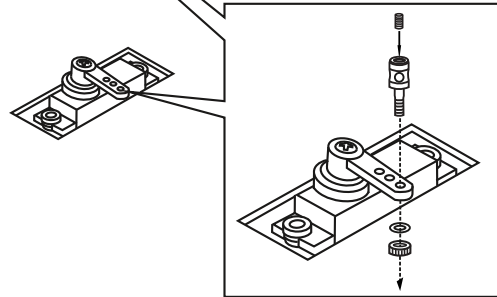
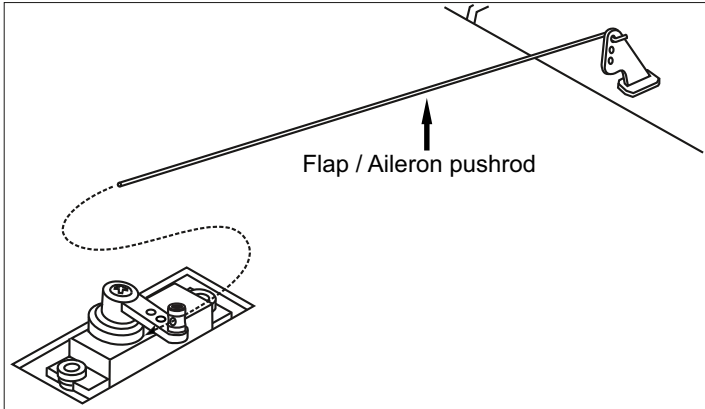
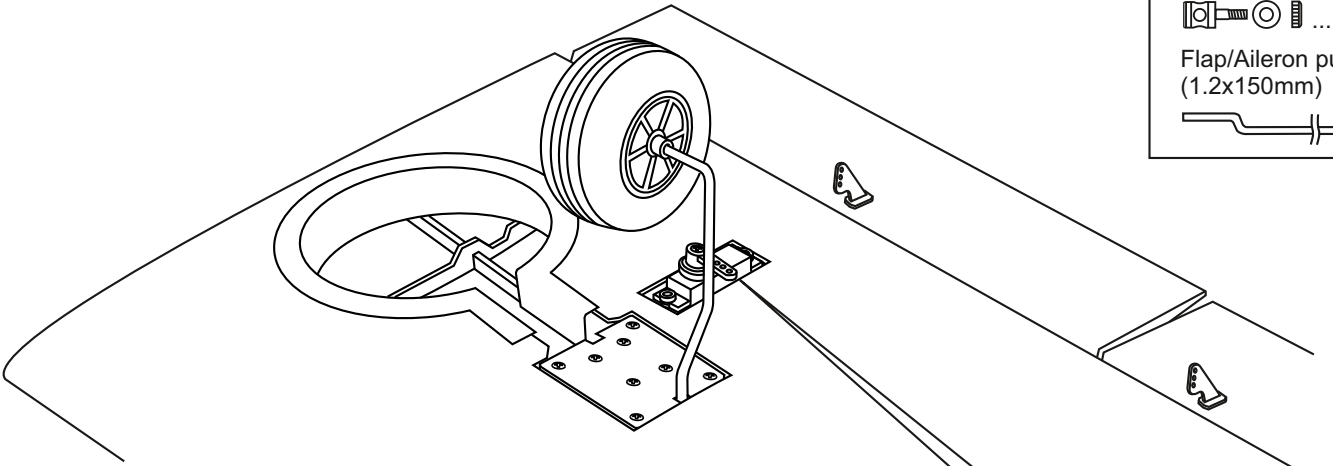
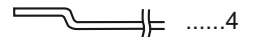
L/R Assemble left and right wings the same way.

7 Servos and linkages

Connector



Flap/Aileron push rod
(1.2x150mm)



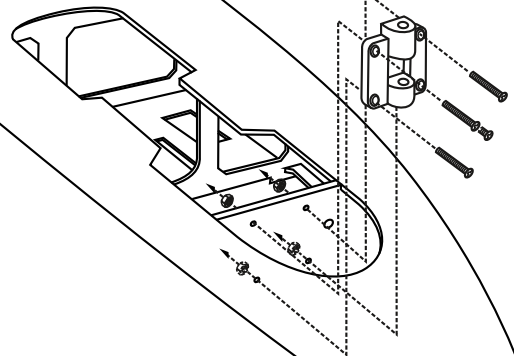
L/R Assemble left and right wings the same way.

8 Nose gear mount

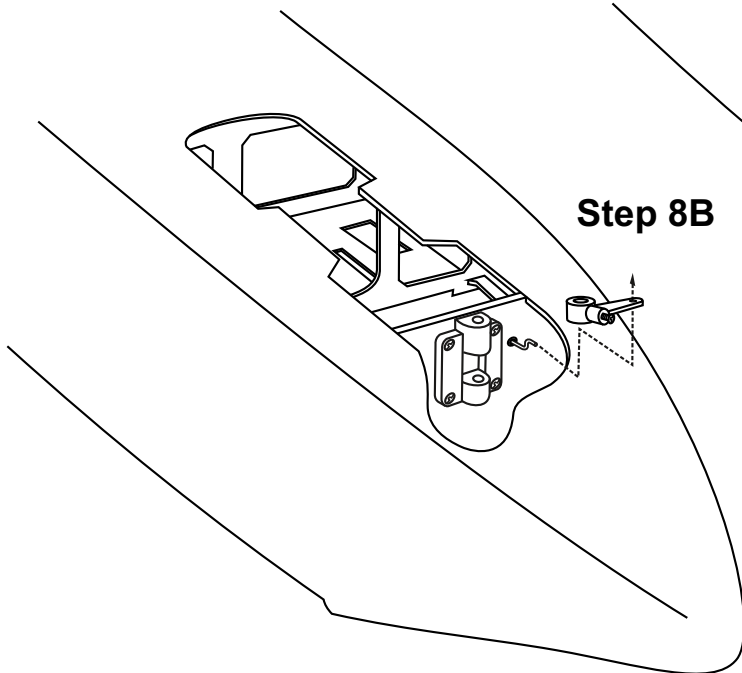
Insert the nose gear pushrod into the fuselage with the "Z" bend in front.

Insert the "Z" bend into the hole on the nose gear control horn.

Step 8A

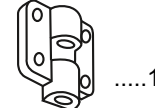


Step 8B

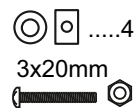


Attach the plastic nose gear mount to the plywood nose gear plate using four 3x20mm screws and nuts.

Nose gear mount



4mm collar



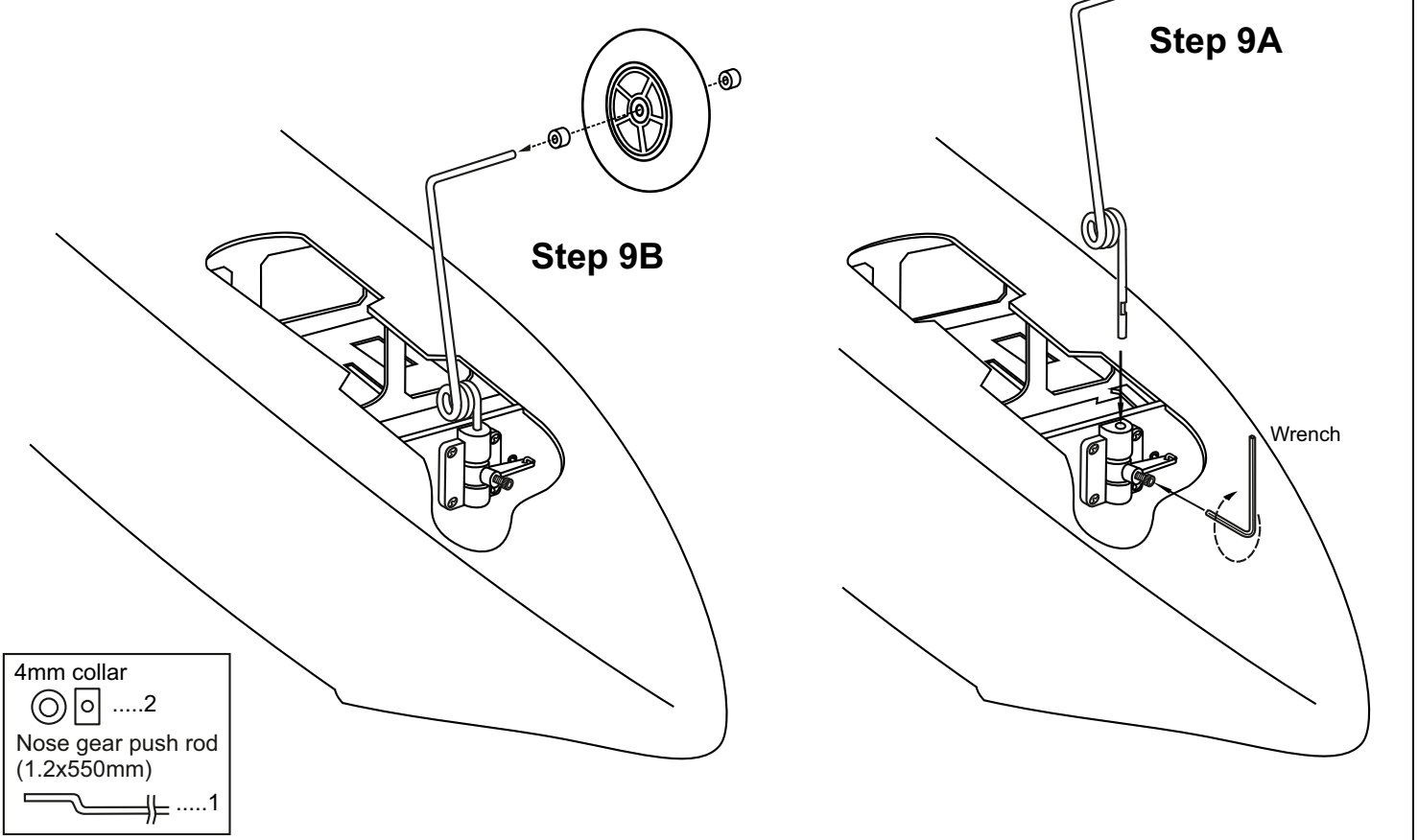
Nose gear arm



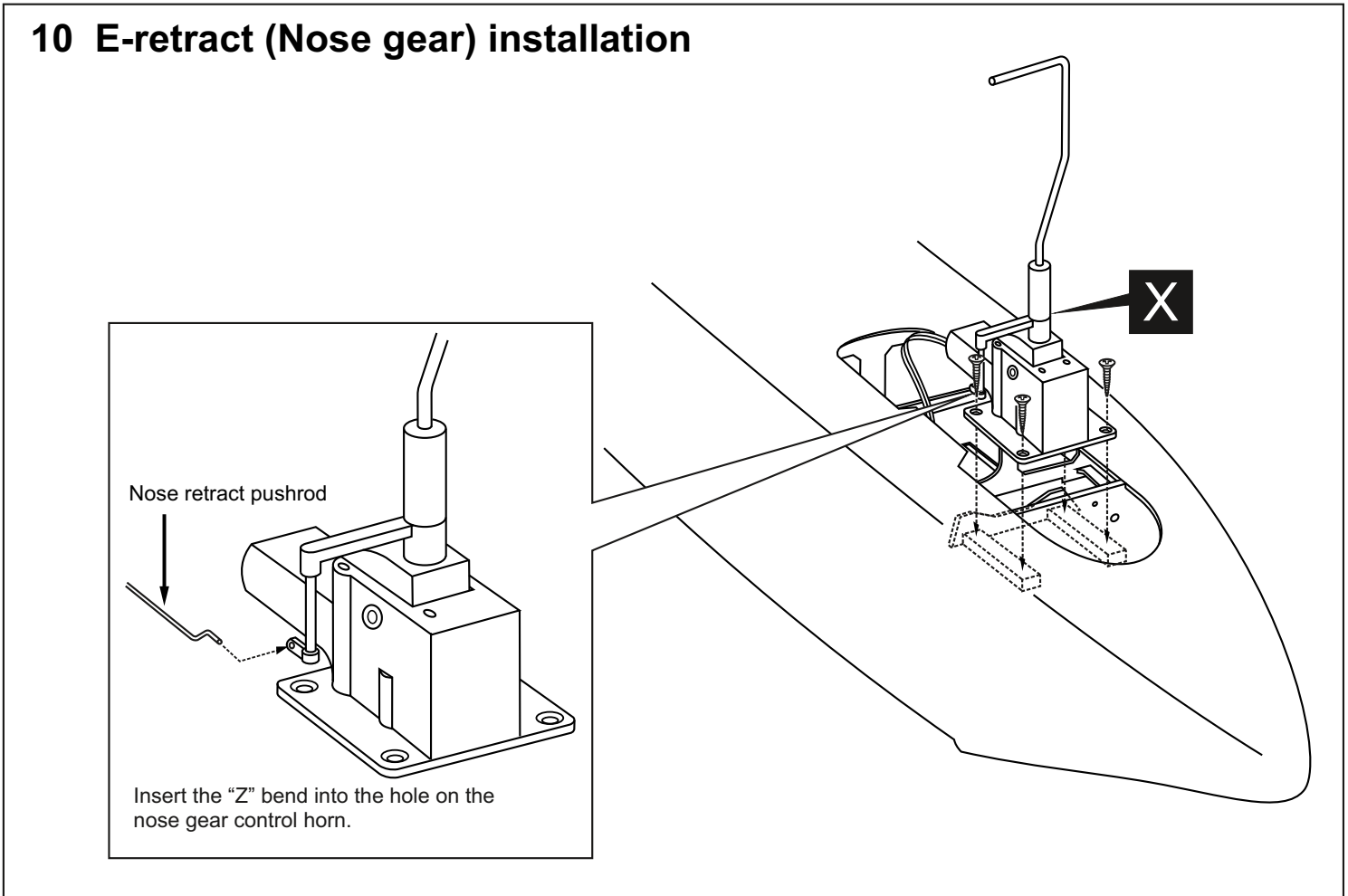
3x20mm



9 Nose gear installation

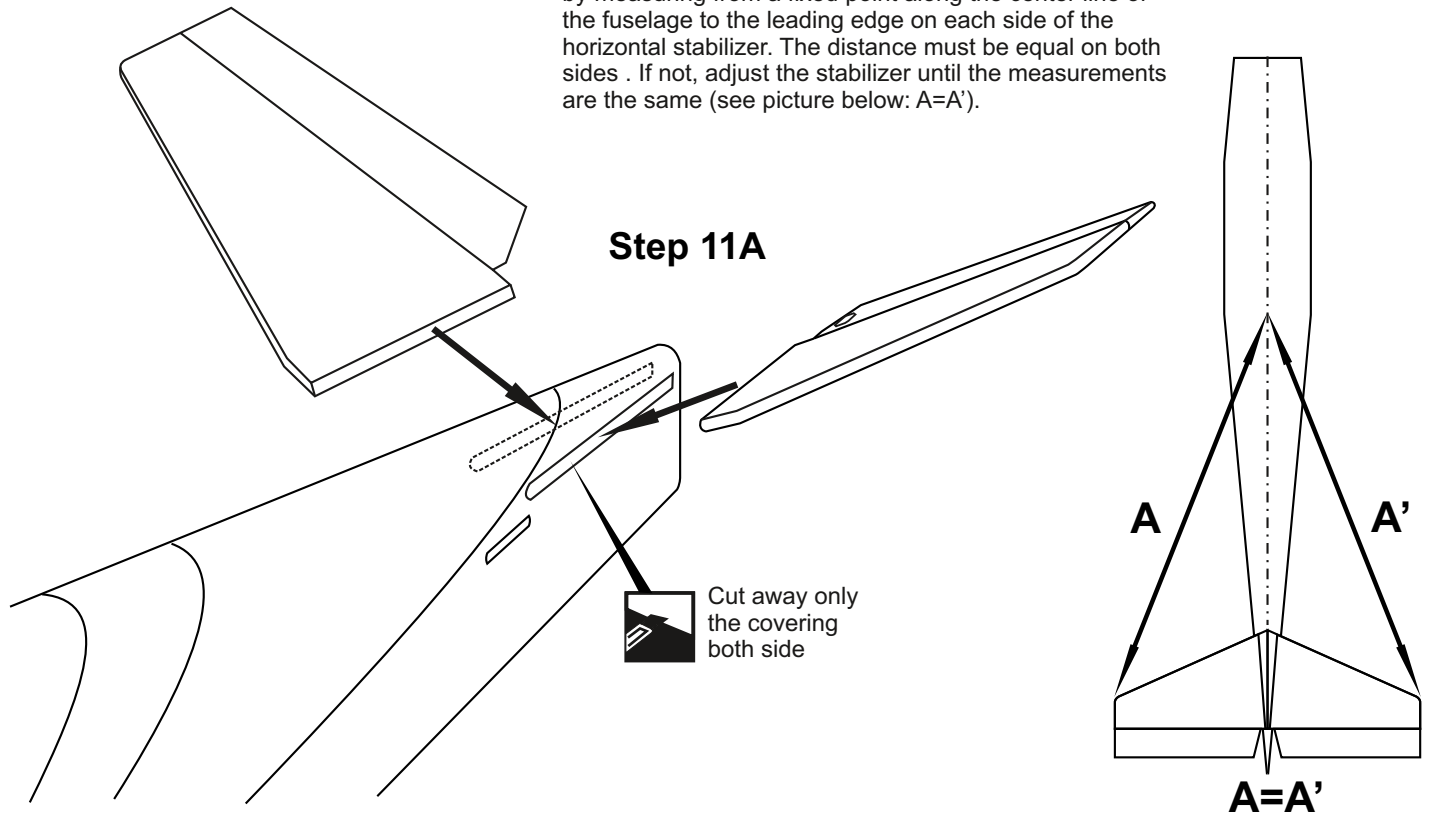


10 E-retract (Nose gear) installation

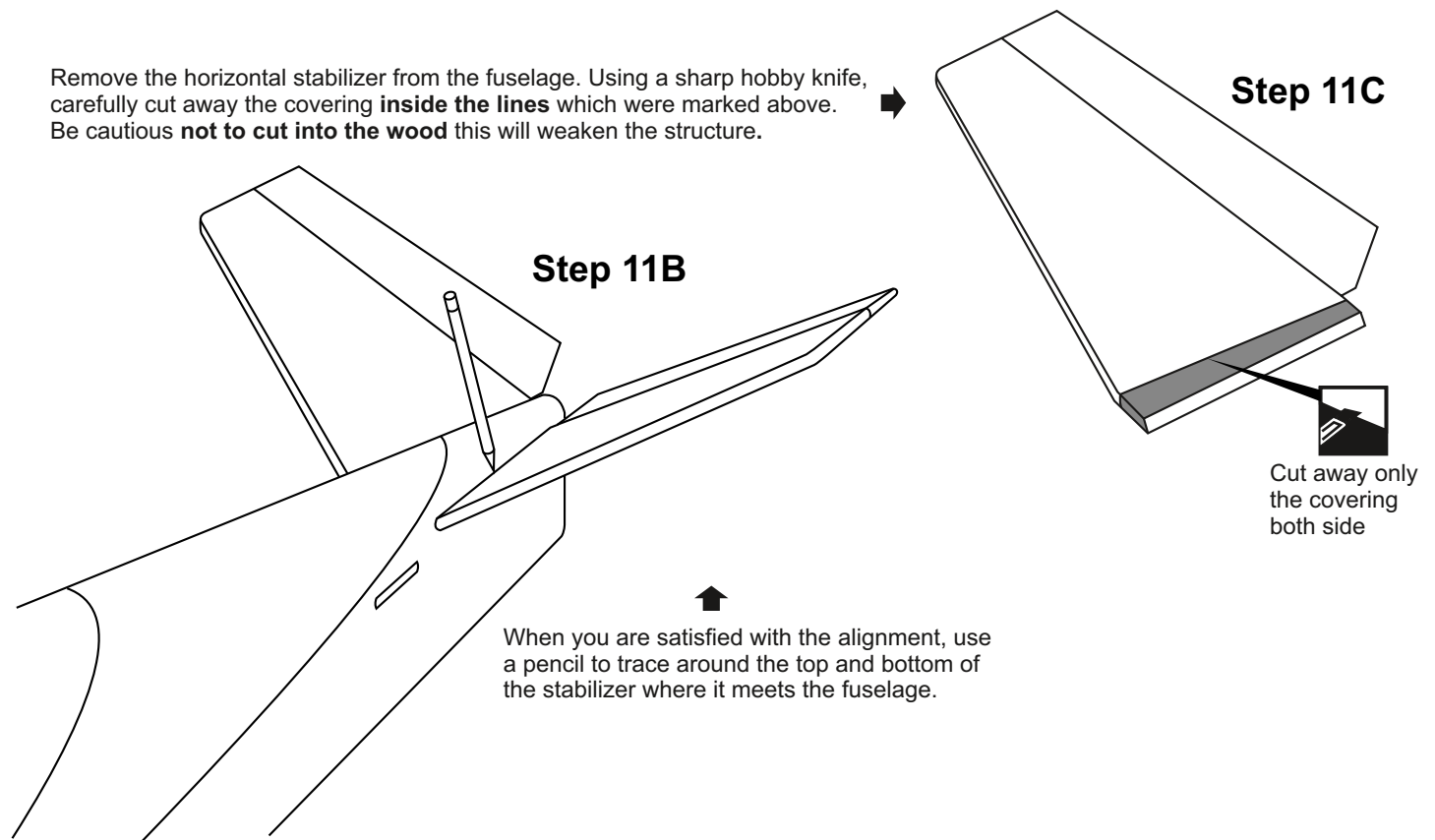


11 Stabilizer installation

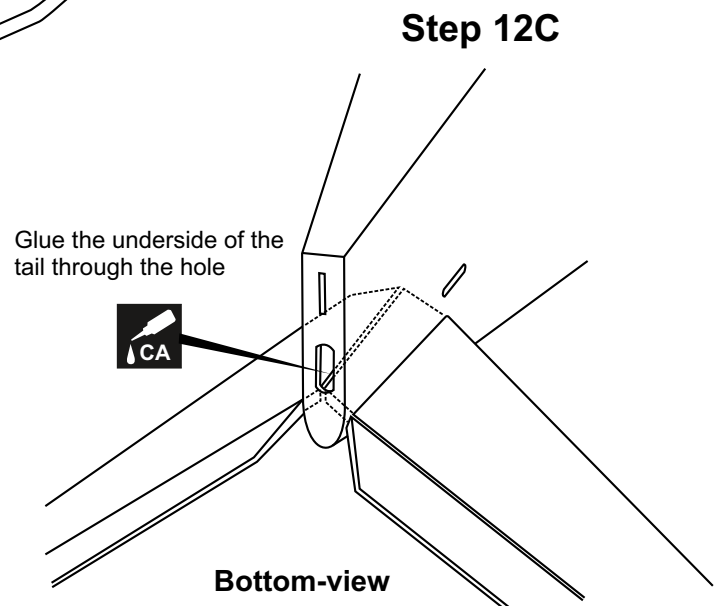
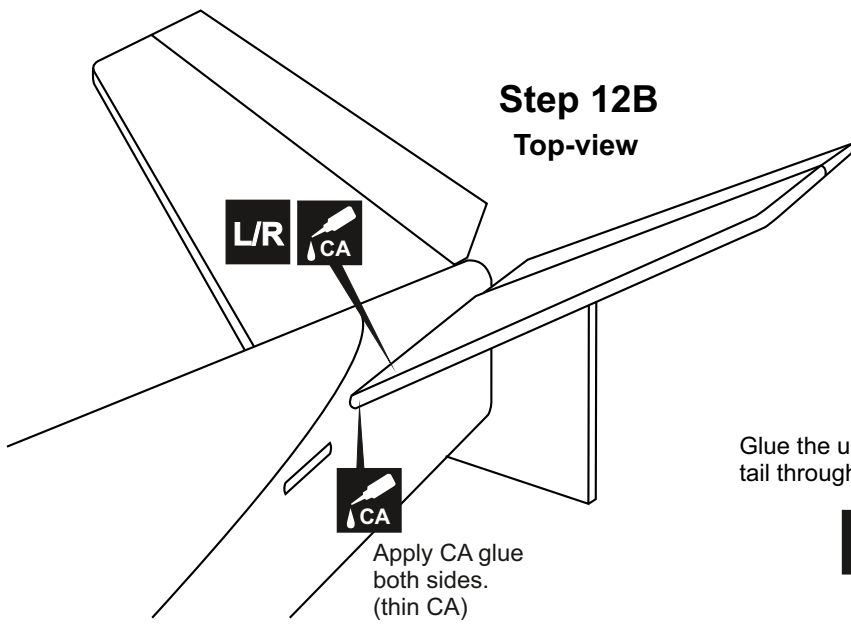
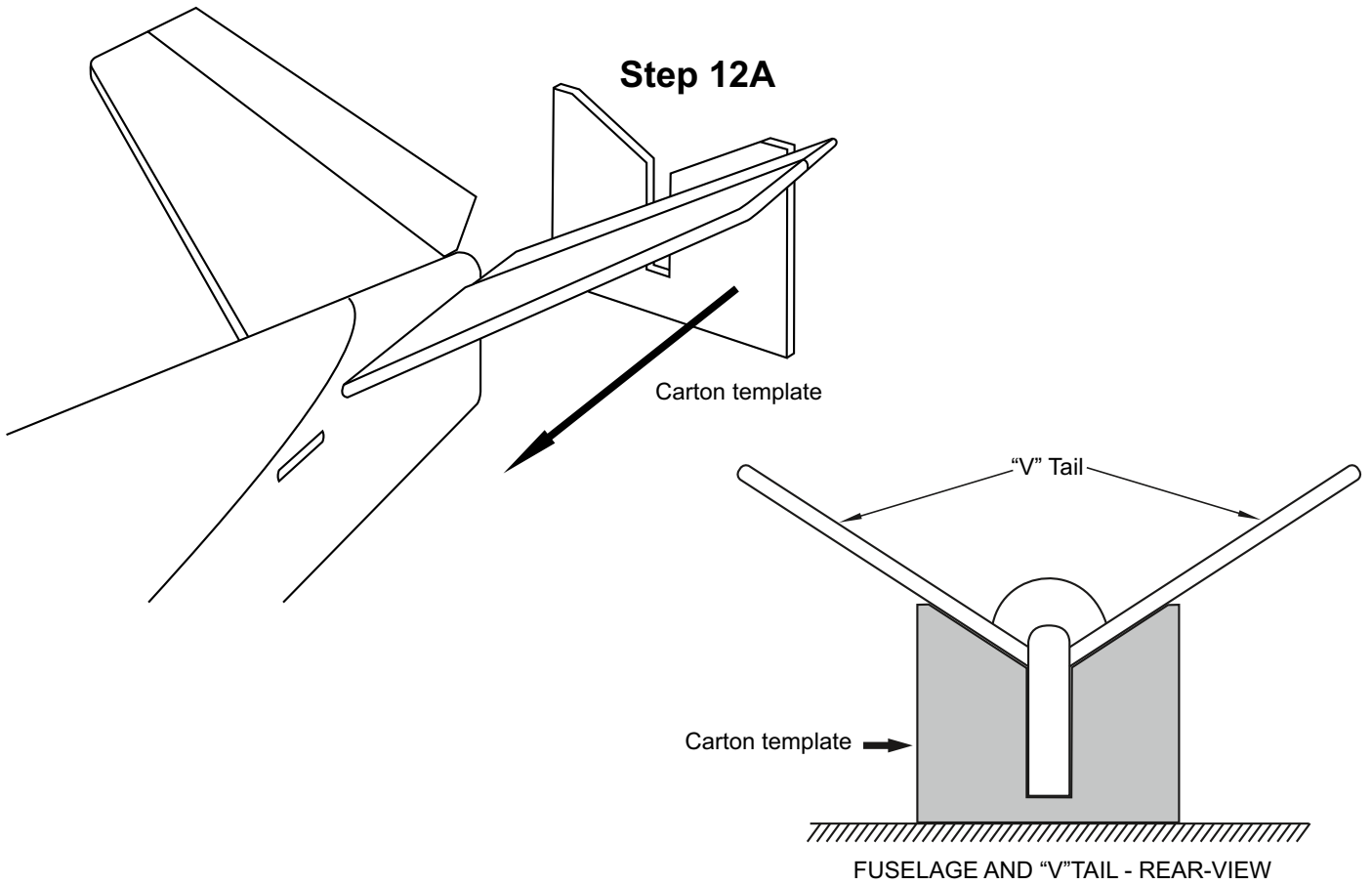
Push the horizontal stabilizer into the slot on the fuselage as show. Check the alignment of the horizontal stabilizer by measuring from a fixed point along the center line of the fuselage to the leading edge on each side of the horizontal stabilizer. The distance must be equal on both sides . If not, adjust the stabilizer until the measurements are the same (see picture below: $A=A'$).



Remove the horizontal stabilizer from the fuselage. Using a sharp hobby knife, carefully cut away the covering **inside the lines** which were marked above. Be cautious **not to cut into the wood** this will weaken the structure.

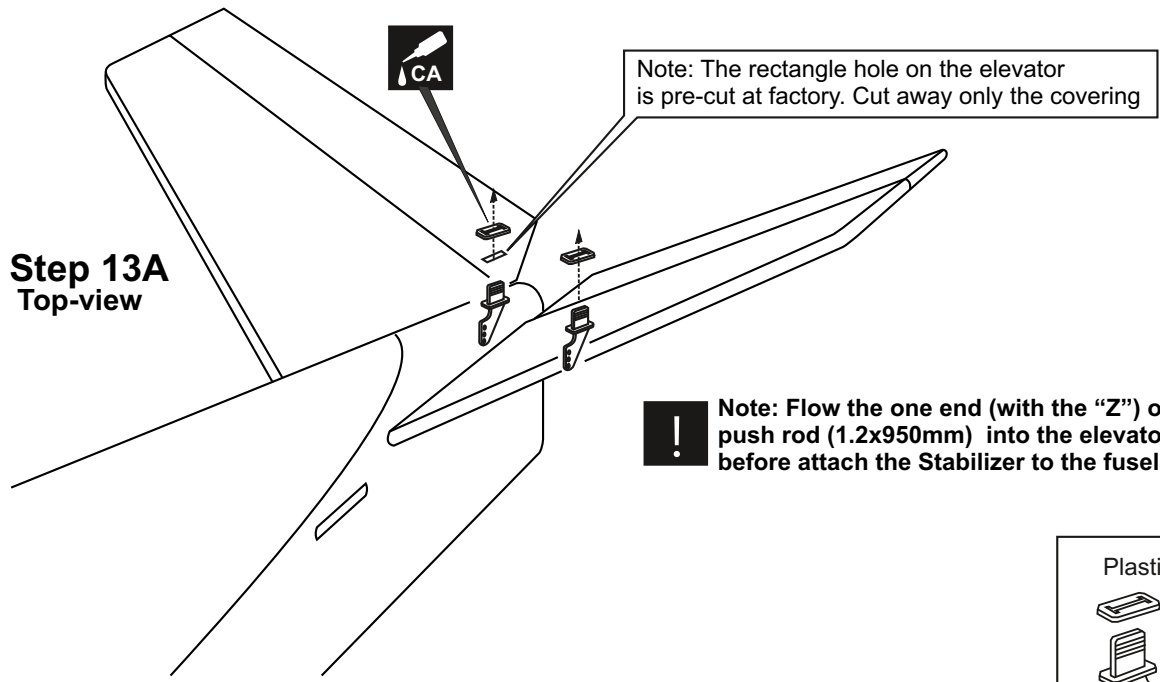


12 Stabilizer installation continued



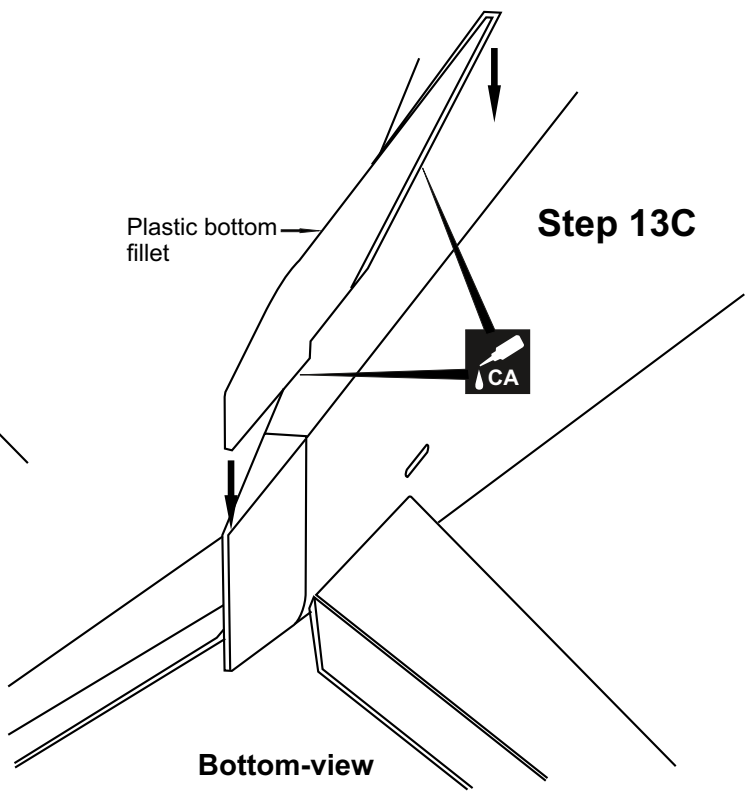
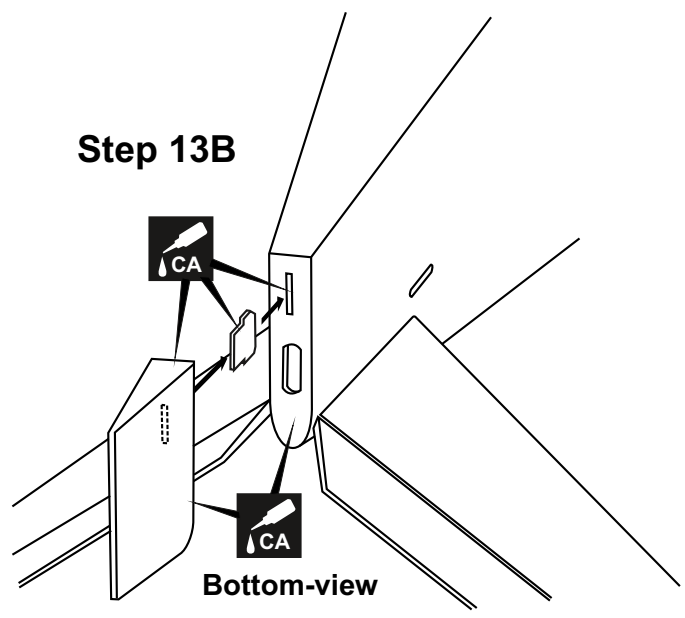
! ! Securely glue together. If coming off during fly, you lose control of your air plane.

13 Control horn installation

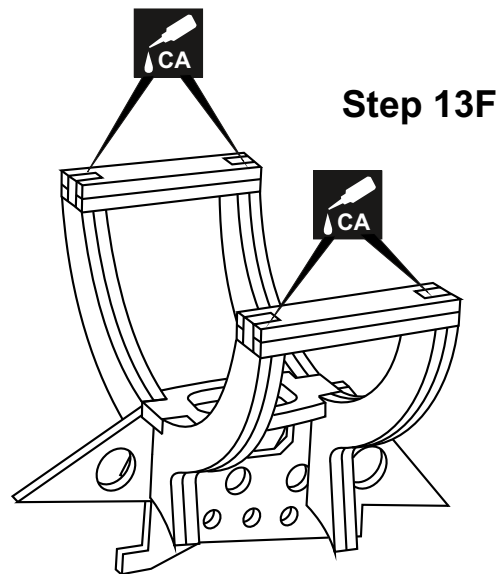
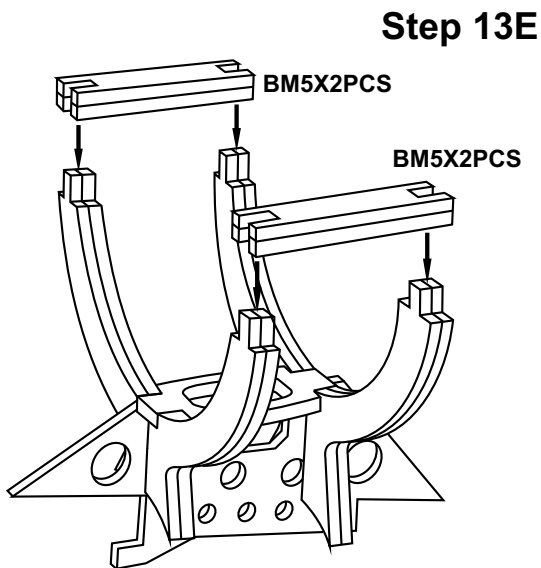
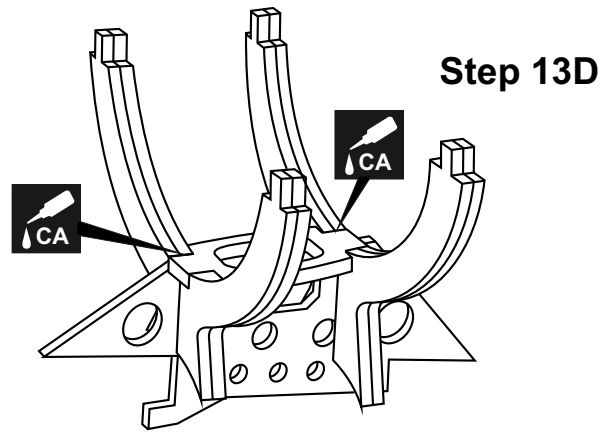
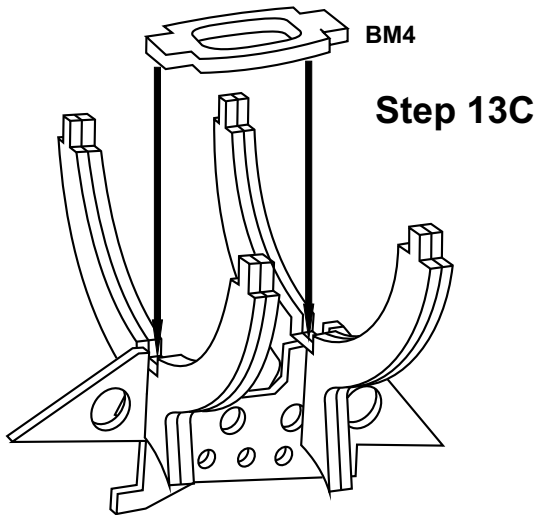
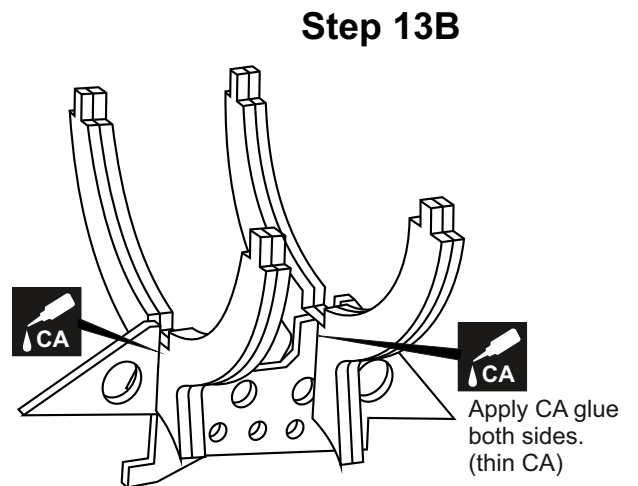
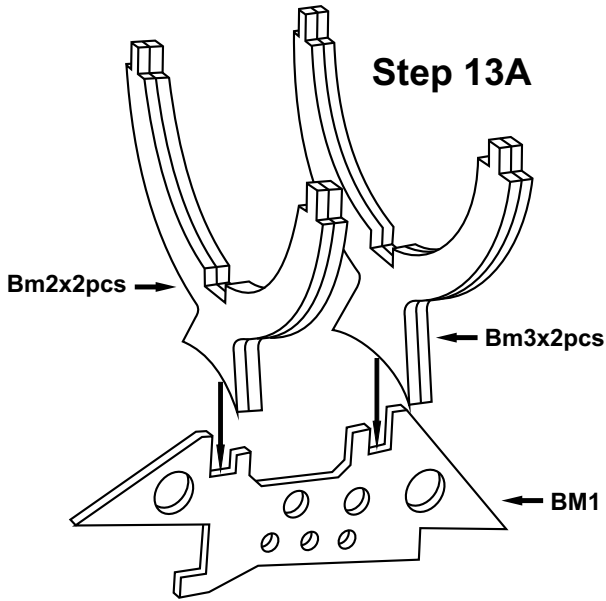


! Note: Flow the one end (with the "Z") of the elevator push rod (1.2x950mm) into the elevator control horn before attach the Stabilizer to the fuselage.

- Plastic control horn
-
-2 set



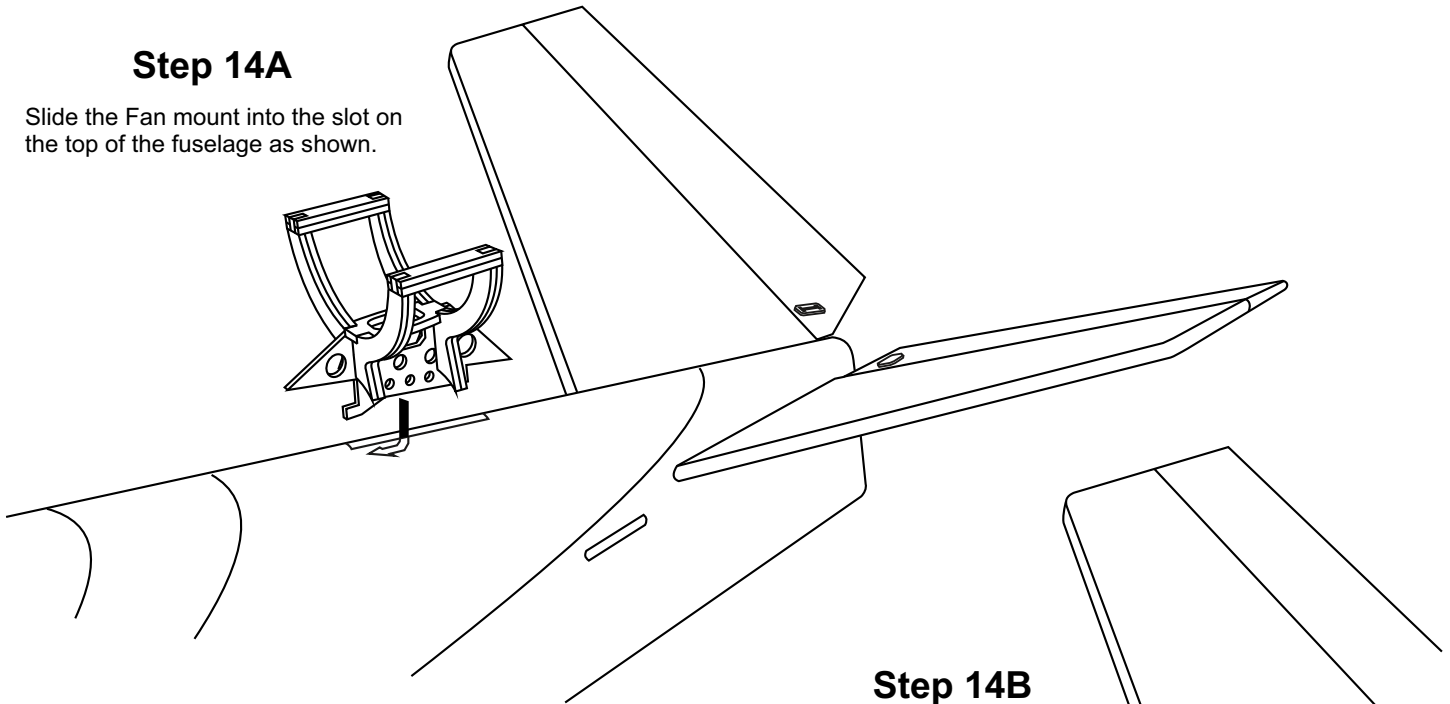
14 Ducted fan mount assemble



15 Ducted fan mount installation

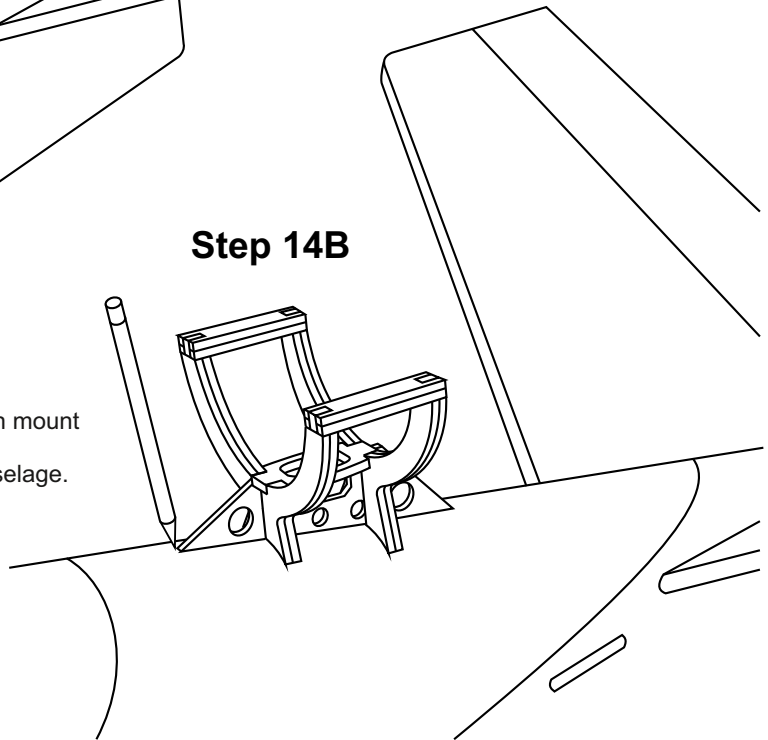
Step 14A

Slide the Fan mount into the slot on the top of the fuselage as shown.



Step 14B

Using a pencil, trace around the fan mount where it meets the fuselage. Remove the fan mount from the fuselage.

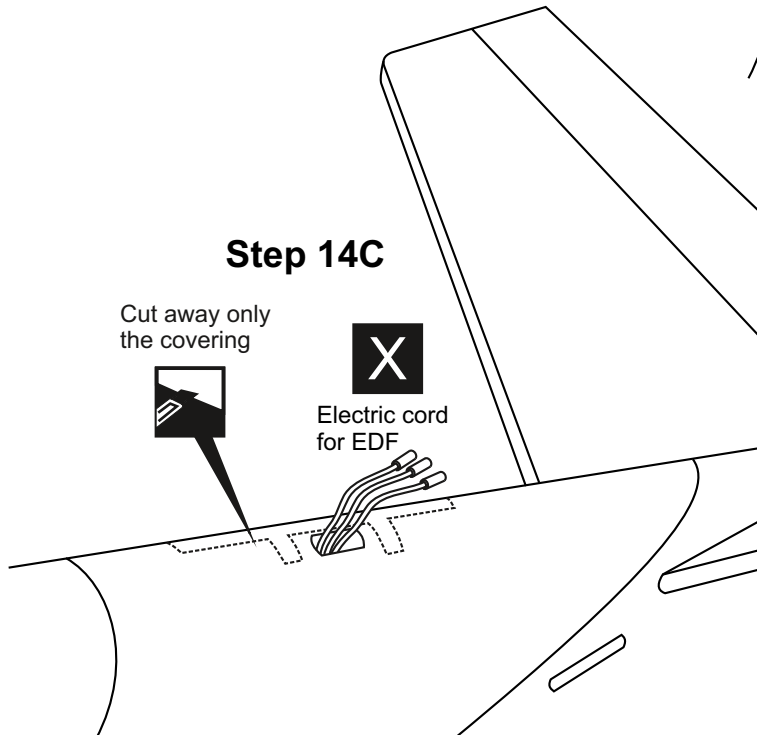


Step 14C

Cut away only the covering



Electric cord for EDF



Using a sharp hobby knife, carefully cut away the covering **inside the lines** which were marked above. Be cautious **not to cut into the wood**-this will weaken the structure.

Note: Insert the Electric cord for EDF into the fuselage at this time.

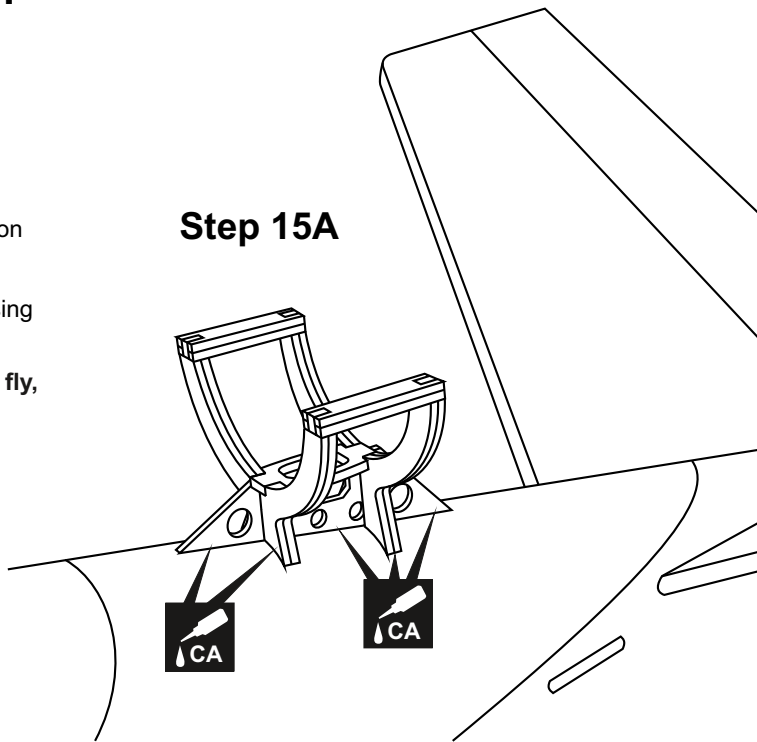
16 Ducted fan mount installation

Slide the Fan mount into the slot on the top of the fuselage as shown.

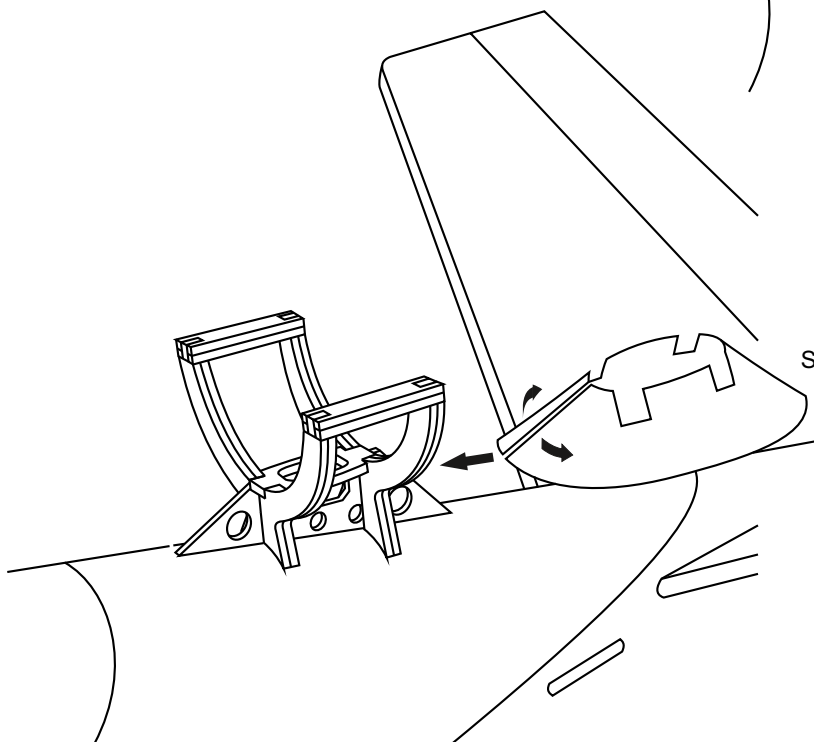
Secure the Fan mount in place using the thin CA

! Securely glue together. If coming off during fly, you lose control of your air plane.

Step 15A

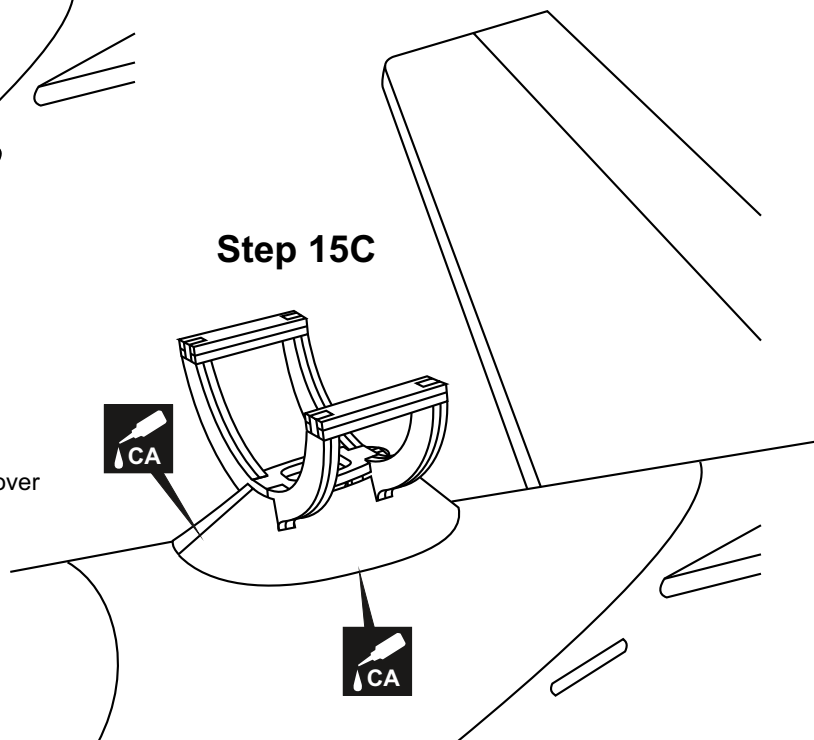


Slide the plastic fan mount cover in place



Step 15C

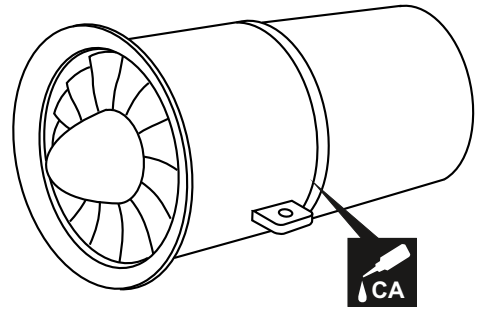
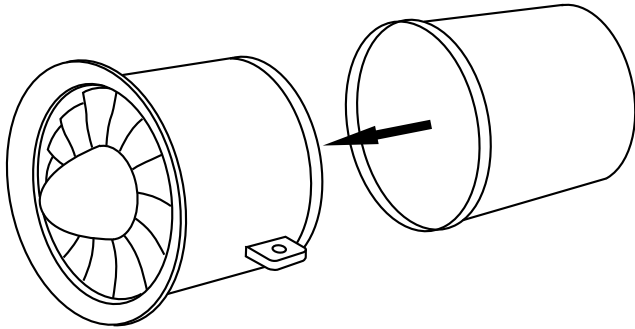
Secure the plastic fan mount cover in place using the thin CA



17 Ducted fan installation

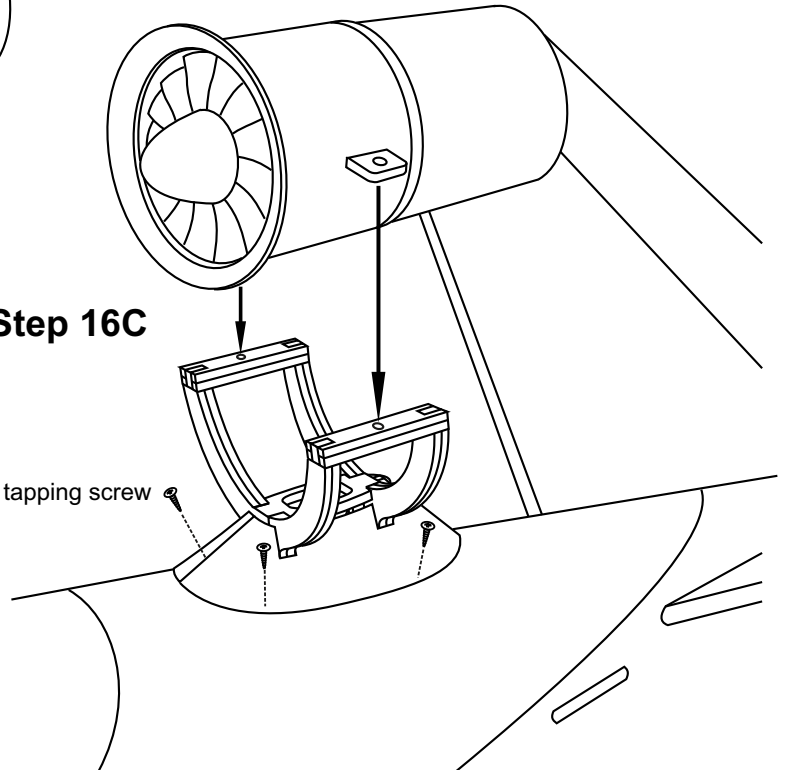
Step 16A

Fiberglass exhaust



Step 16C

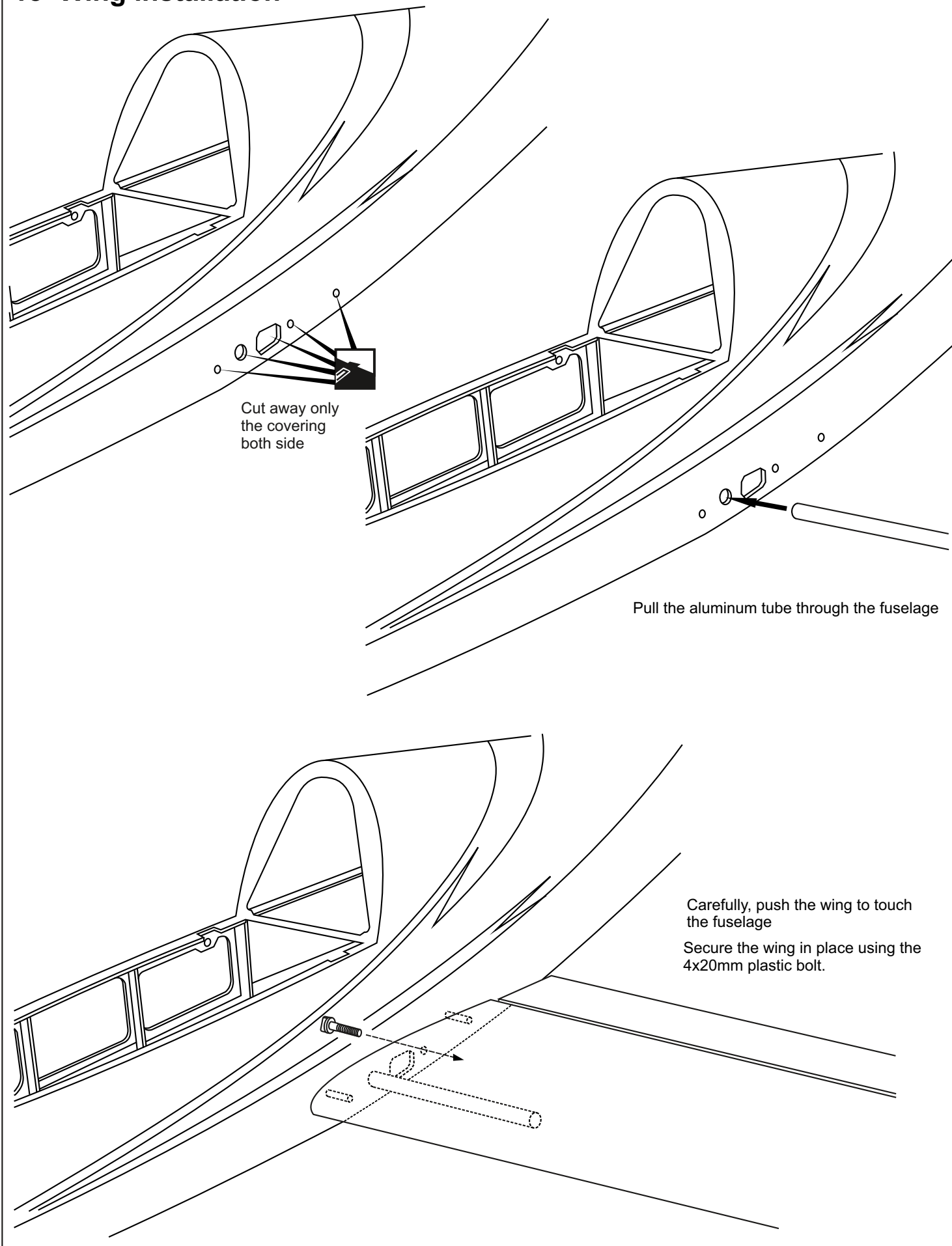
2x5mm self tapping screw



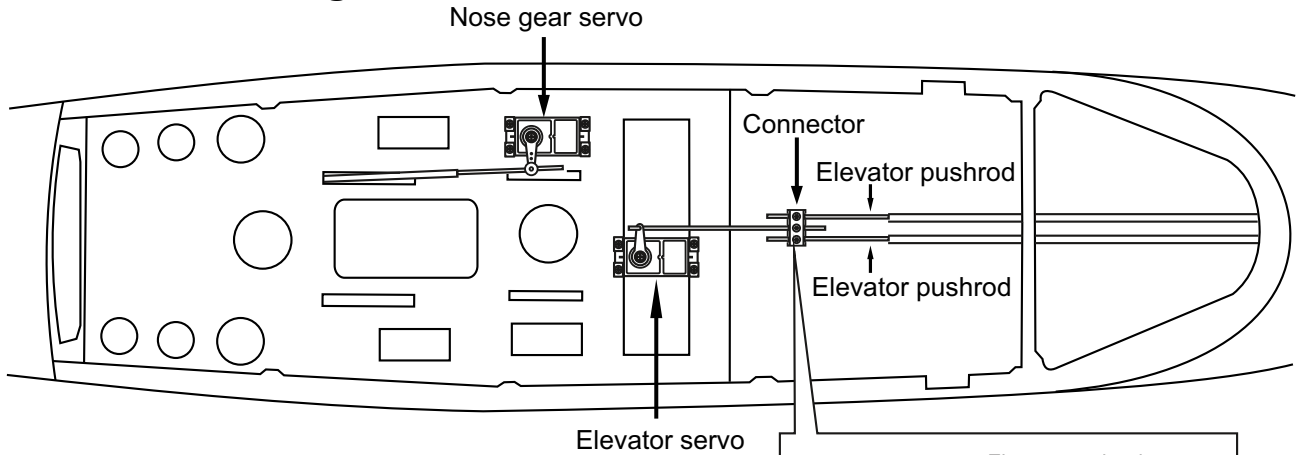
Step 16D



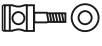



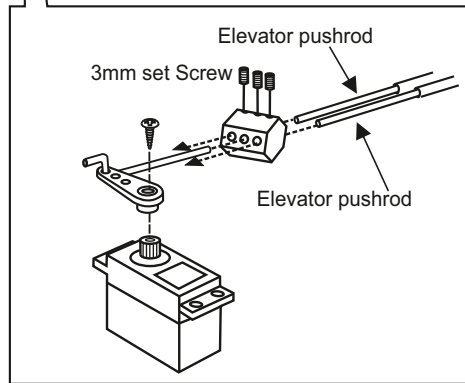
18 Wing installation



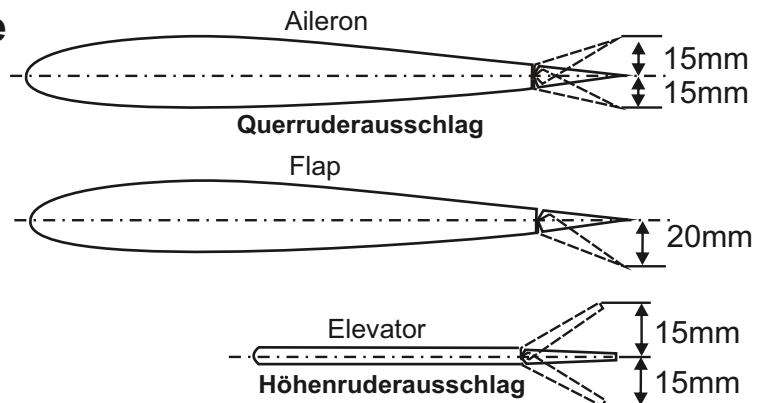
19 Servo and linkages



Connector 	Nose gear push rod (1.2x550mm) 11
Connector 	Elevator push rod (1.2x950mm) 42



20- Balance and control surface



Do not try to fly an out-of balance model!
Überprüfen Sie vor dem Flug den Schwerpunkt.

